



US00D656975S

(12) **United States Design Patent**
Tseng

(10) **Patent No.:** **US D656,975 S**

(45) **Date of Patent:** **** Apr. 3, 2012**

(54) **LINEAR ACTUATOR**

(75) Inventor: **Kuan-Shu Tseng**, New Taipei (TW)

(73) Assignee: **Timotion Technology Co. Ltd.**, New Taipei (TW)

(**) Term: **14 Years**

(21) Appl. No.: **29/408,182**

(22) Filed: **Dec. 8, 2011**

(51) **LOC (9) Cl.** **15-09**

(52) **U.S. Cl.** **D15/143**

(58) **Field of Classification Search** D13/118;
D15/1-5, 143, 148, 149, 199; 74/89.15,
74/90.15, 490.09, 411.5; 297/325, 327; 310/20,
310/20.8, 80

See application file for complete search history.

(56) **References Cited**

U.S. PATENT DOCUMENTS

6,321,611	B1	*	11/2001	Szu et al.	74/89.37
D458,284	S	*	6/2002	Landerholm et al.	D15/143
D514,146	S	*	1/2006	Haneball	D15/143
D577,753	S	*	9/2008	Lund et al.	D15/143
D589,991	S	*	4/2009	Chen	D15/143
D594,487	S	*	6/2009	Lund et al.	D15/143
D595,752	S	*	7/2009	Lin et al.	D15/143
D595,753	S	*	7/2009	Tseng	D15/143
D596,652	S	*	7/2009	Roither et al.	D15/143
D625,745	S	*	10/2010	Chiang et al.	D15/143

D632,321 S * 2/2011 Wu D15/143
D646,310 S * 10/2011 Lan D15/143
2005/0264109 A1* 12/2005 Abrahamsen 310/20
* cited by examiner

Primary Examiner — Patricia Palasik

(74) *Attorney, Agent, or Firm* — Chun-Ming Shih; HDLS IPR Services

(57) **CLAIM**

The ornamental design for a linear actuator, as shown and described.

DESCRIPTION

FIG. 1 is a perspective view of a linear actuator showing my new design;

FIG. 2 is a front view thereof;

FIG. 3 is a rear view thereof;

FIG. 4 is a left side view thereof;

FIG. 5 is a right side view thereof;

FIG. 6 is a top view thereof;

FIG. 7 is a bottom view thereof.

FIG. 8 is the second perspective view showing the linear actuator.

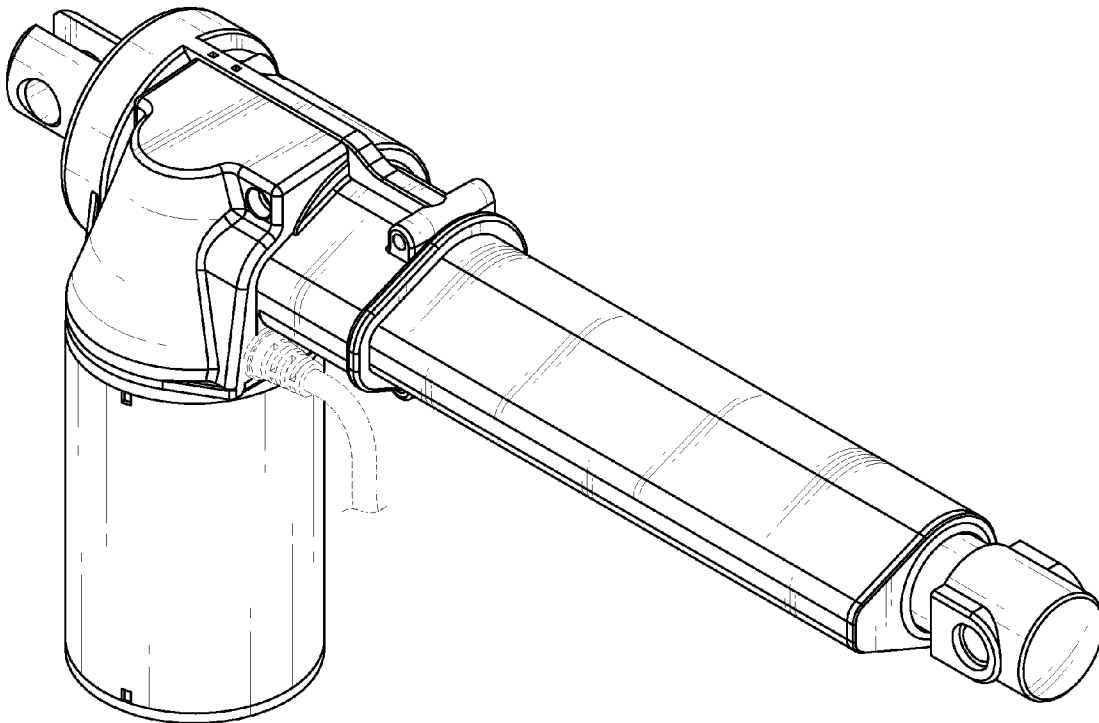
FIG. 9 is the third perspective view showing the linear actuator.

FIG. 10 is the fourth perspective view showing the linear actuator; and,

FIG. 11 is the fifth perspective view showing the linear actuator.

The broken line environmental showing is for illustrative purpose only and forms no part of the claimed design.

1 Claim, 10 Drawing Sheets



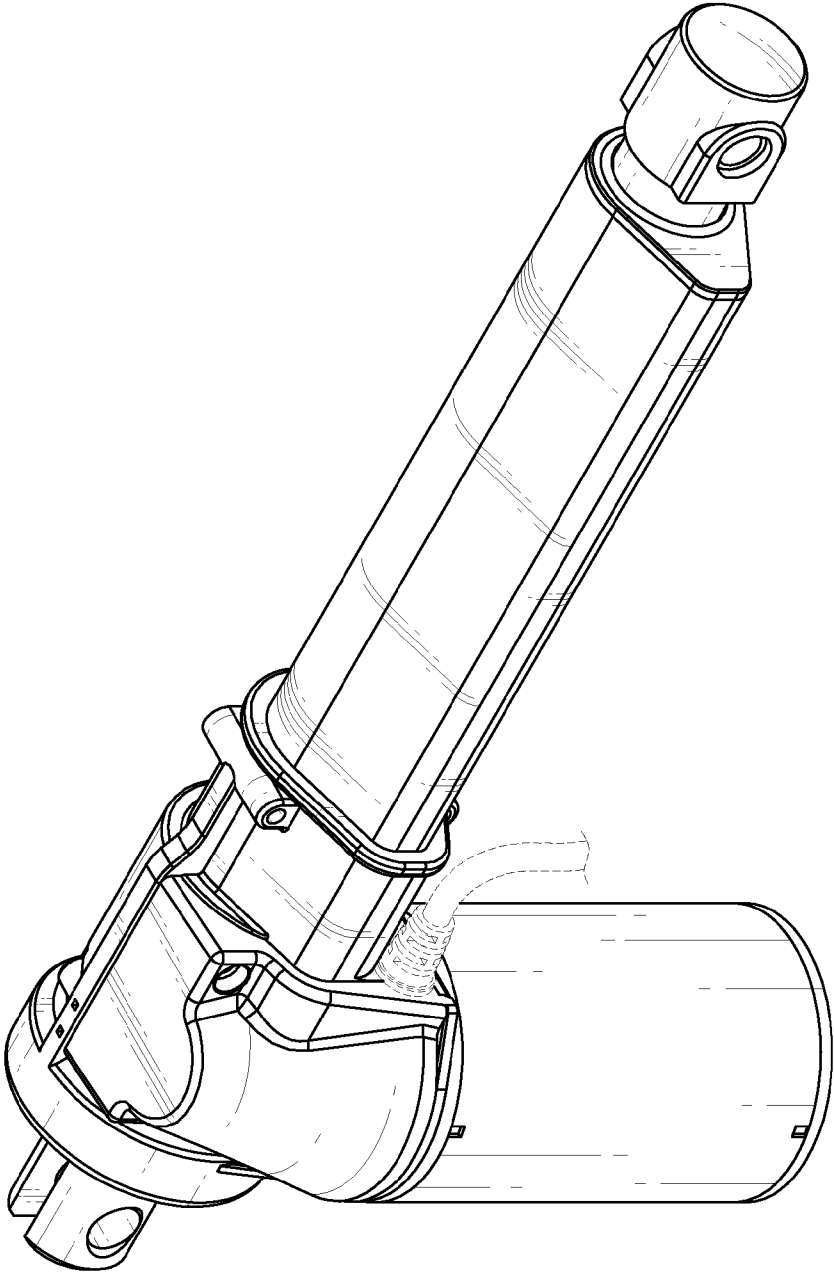


FIG.1

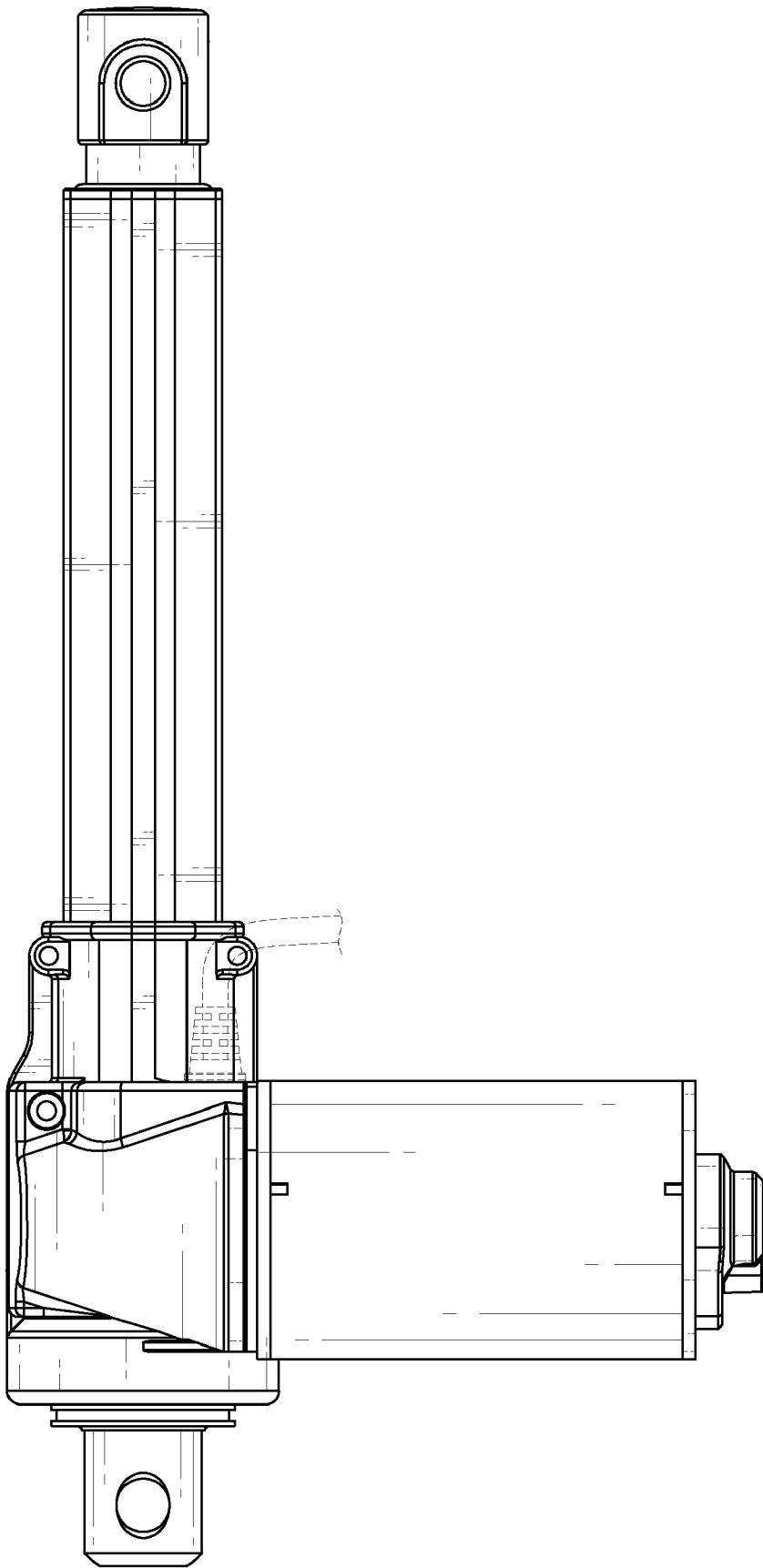


FIG.2

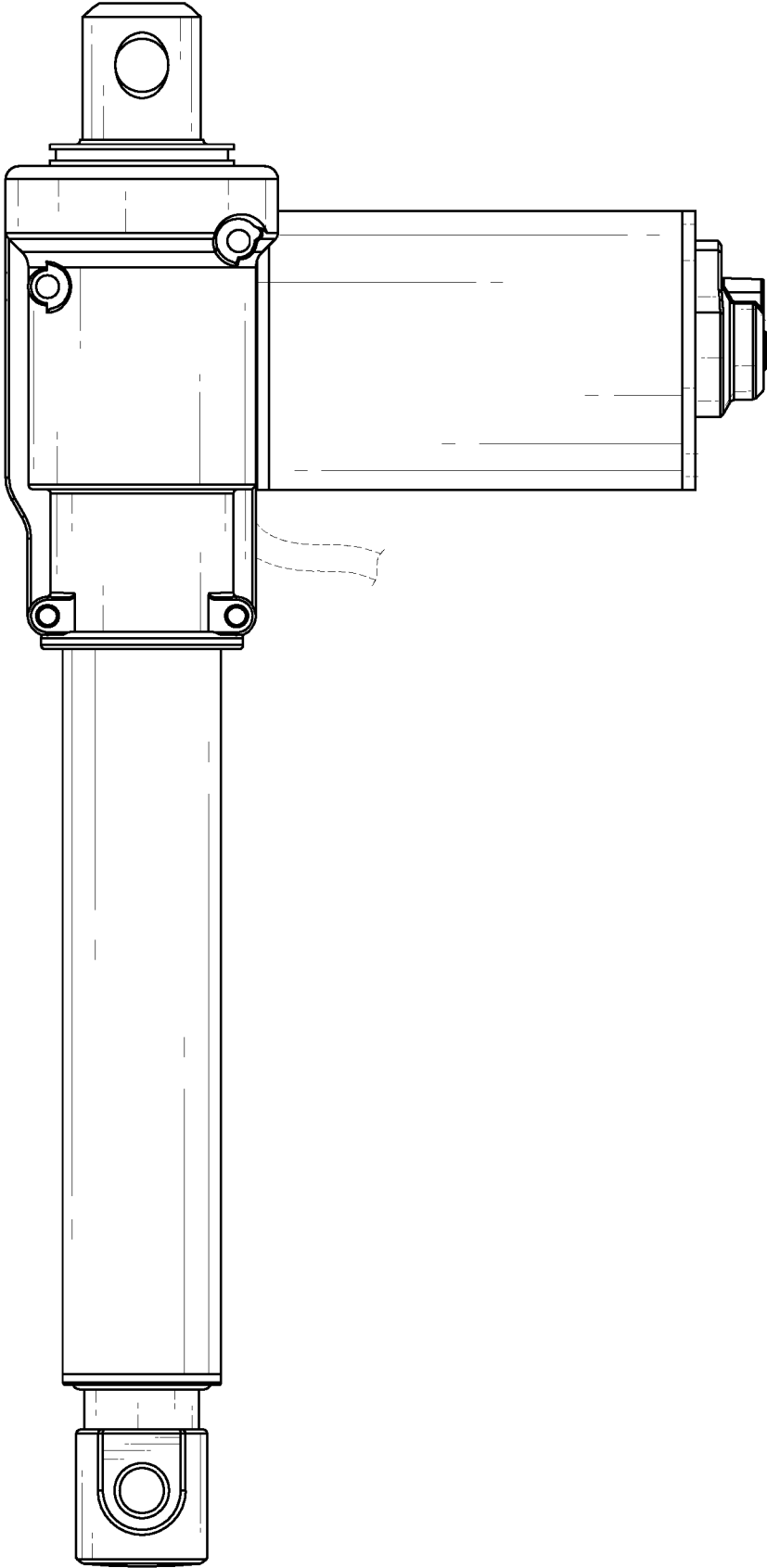


FIG.3

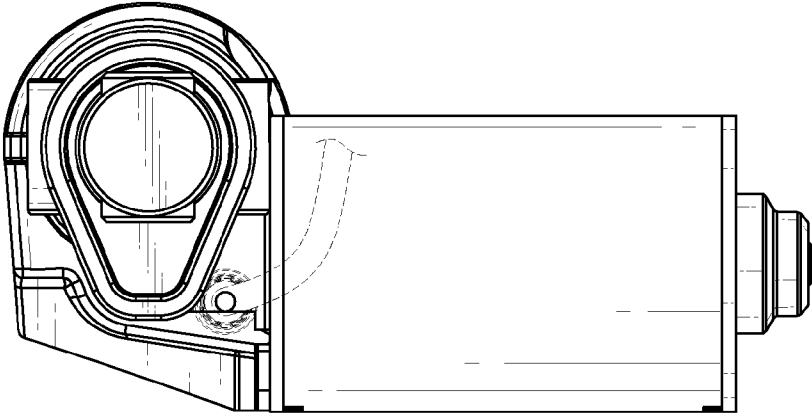


FIG.5

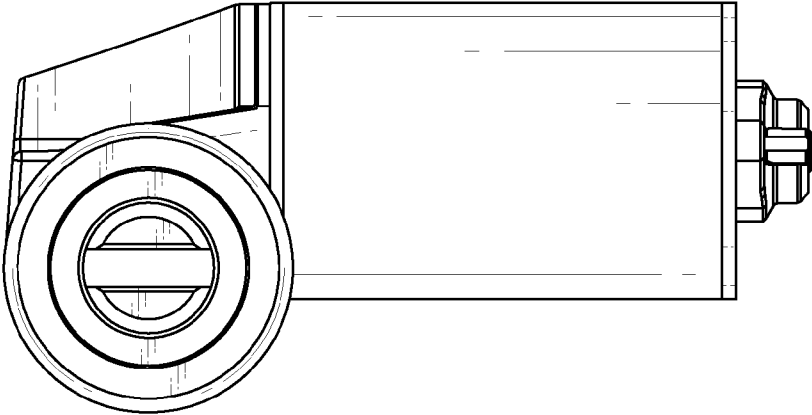


FIG.4

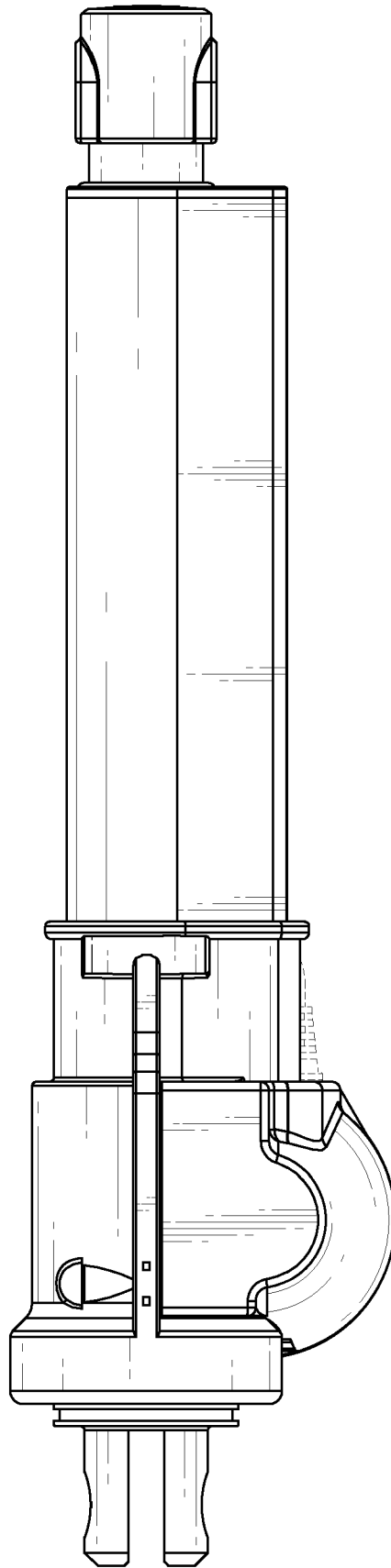


FIG. 6

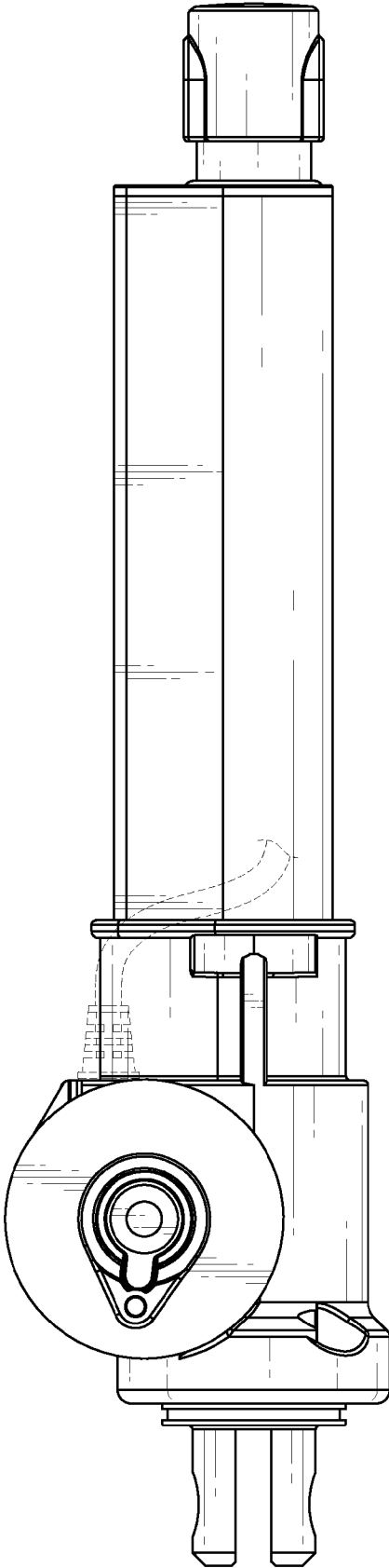


FIG. 7

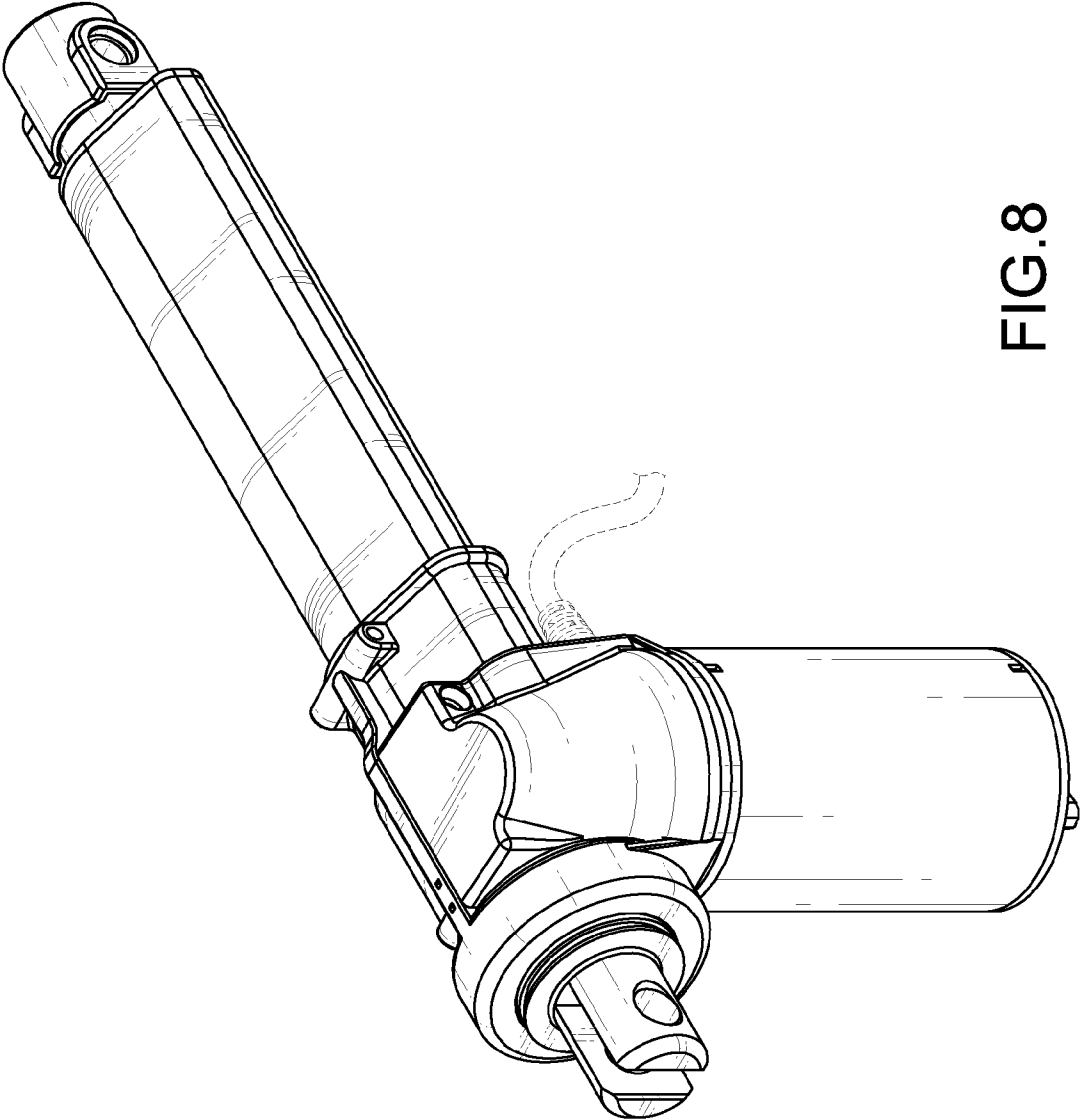


FIG. 8

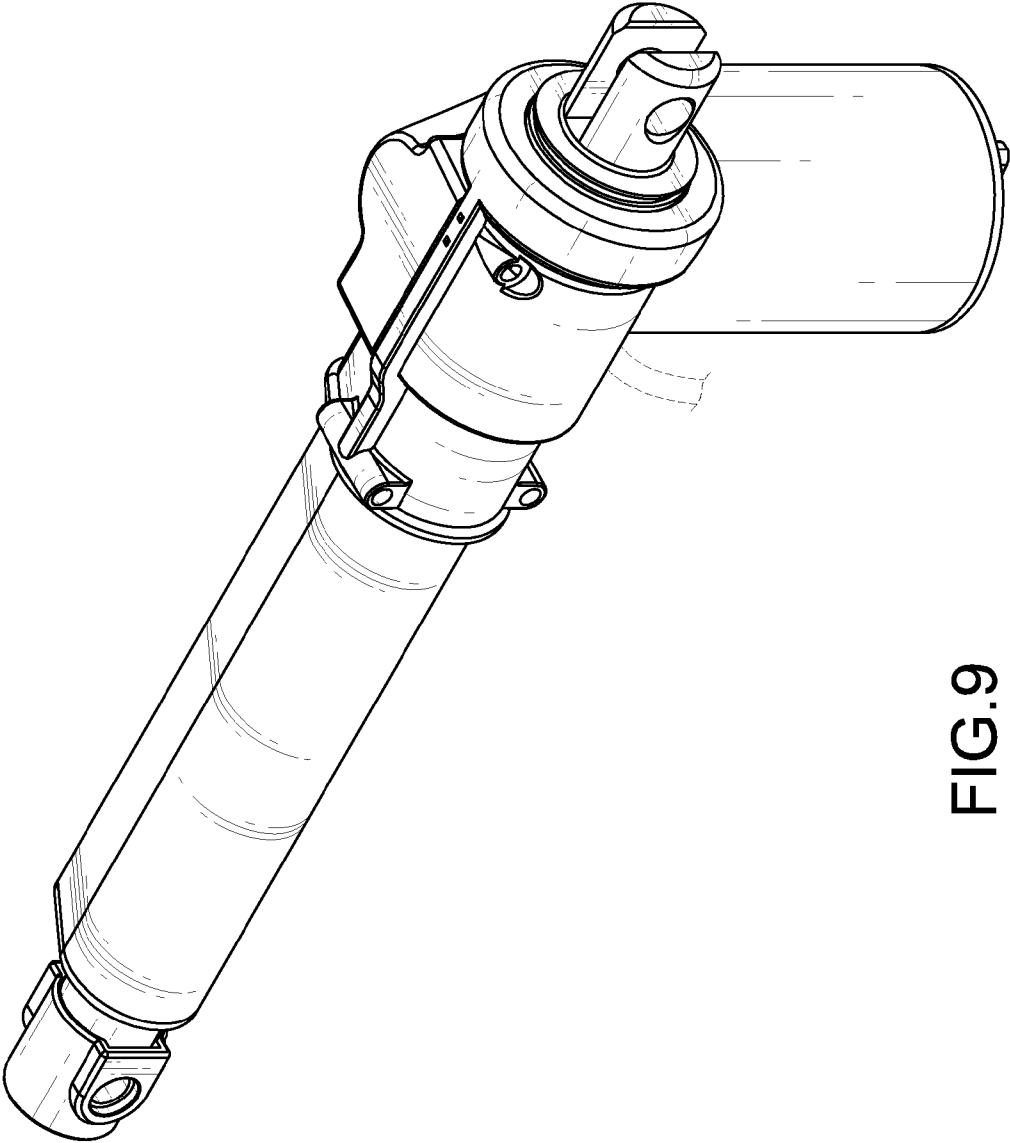


FIG.9

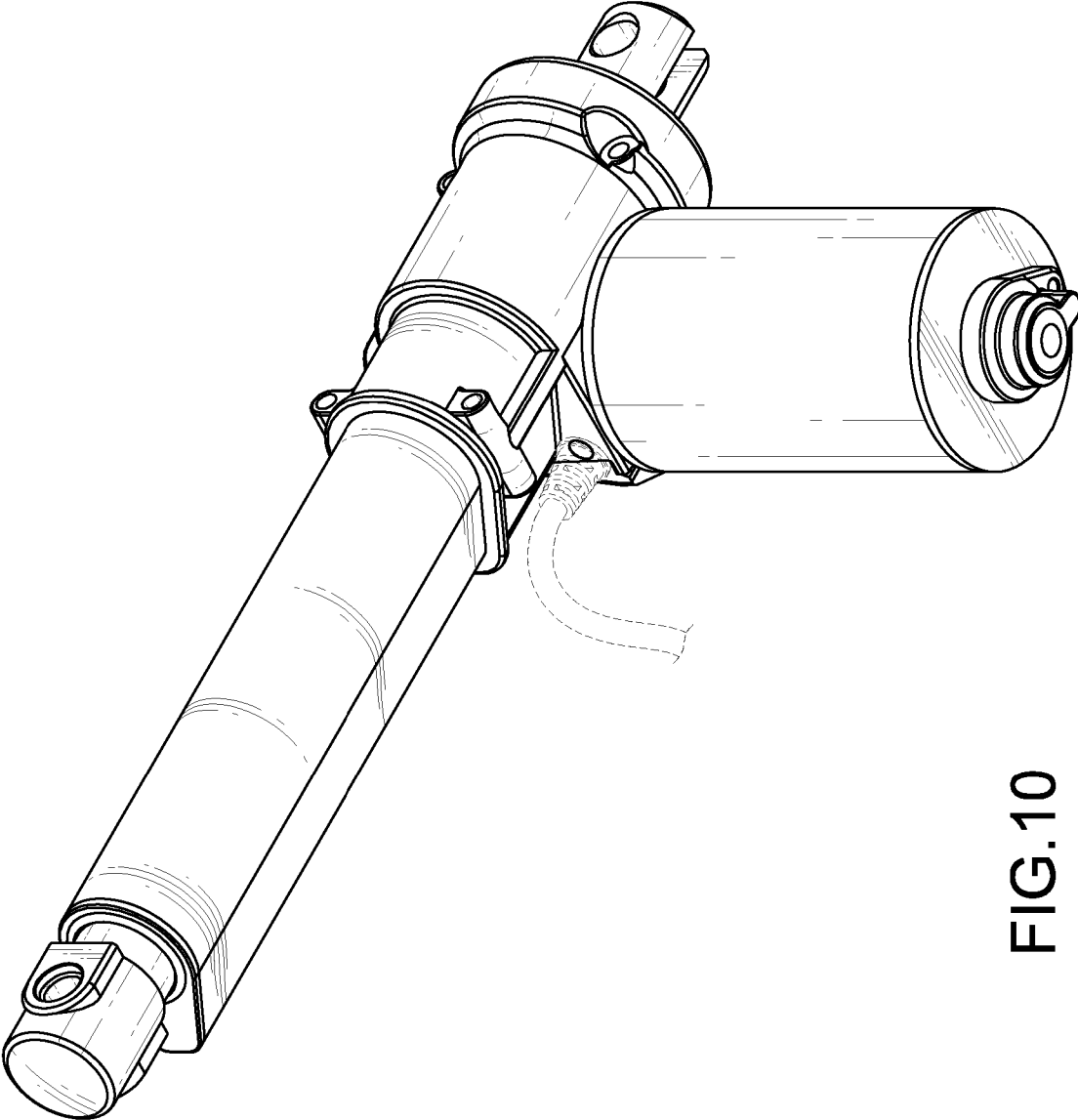


FIG.10

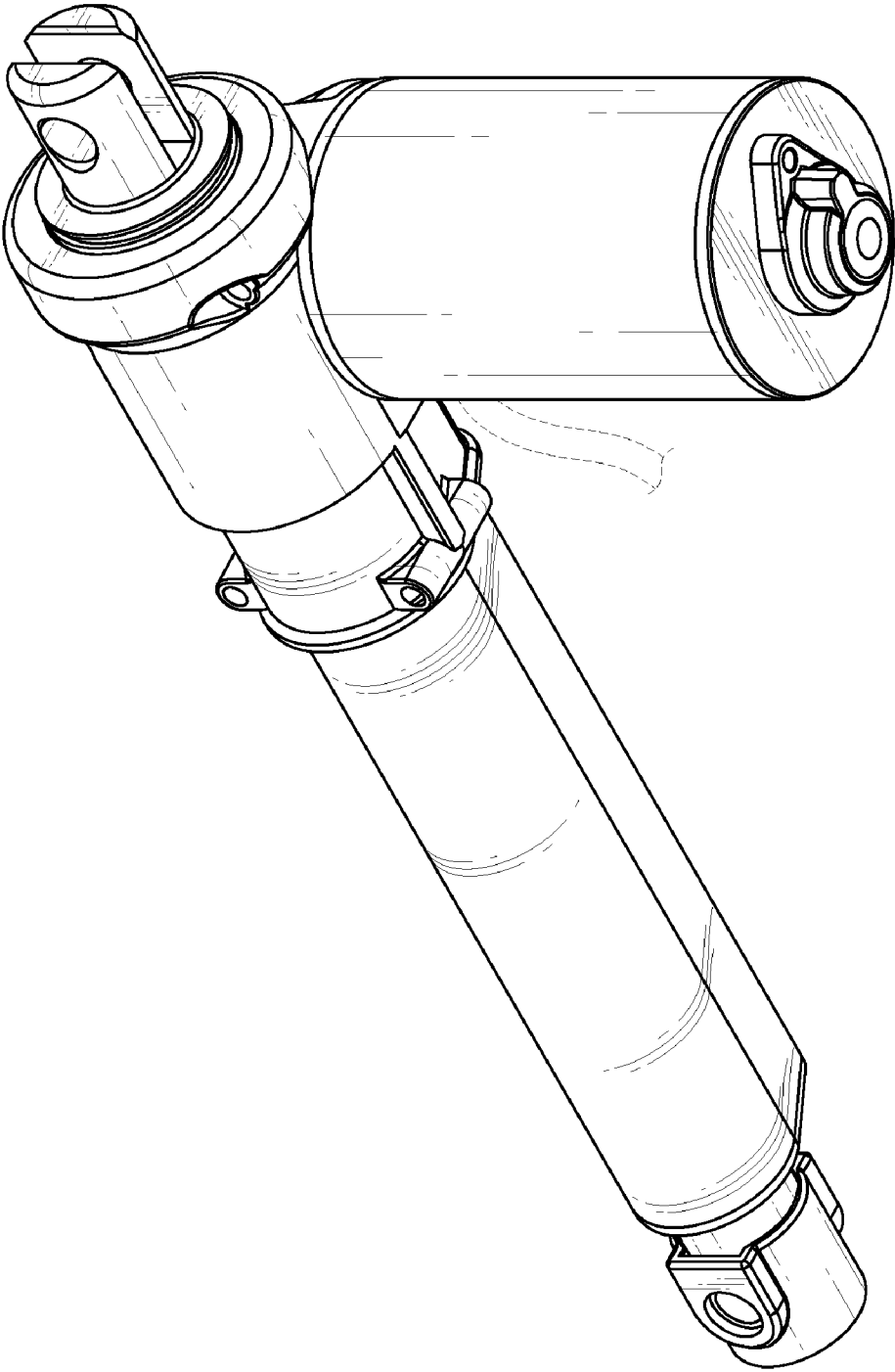


FIG.11