



- (51) **International Patent Classification:**
B65D 5/4805 (2006.01) *B65D 5/66* (2006.01)
B65D 5/18 (2006.01) *B65D 5/10* (2006.01)
B65D 5/50 (2006.01)
- (21) **International Application Number:**
PCT/US2010/042042
- (22) **International Filing Date:**
15 July 2010 (15.07.2010)
- (25) **Filing Language:** English
- (26) **Publication Language:** English
- (30) **Priority Data:**
61/270,923 15 July 2009 (15.07.2009) US
- (71) **Applicant (for all designated States except US):**
GRAPHIC PACKAGING INTERNATIONAL, INC.
[US/US]; 814 Livingston Court, Marietta, GA 30067 (US).
- (72) **Inventor; and**
- (75) **Inventor/Applicant (for US only):** FITZWATER, Kelly, R. [US/US]; 25 Kendall Court, Lakewood, CO 80226 (US).
- (74) **Agents:** CLAERBOUT, Andrew, N. et al.; Womble Carlyle Sandridge & Rice, PLLC, P.O. Box 7037, Atlanta, GA 30357-0037 (US).
- (81) **Designated States (unless otherwise indicated, for every kind of national protection available):** AE, AG, AL, AM, AO, AT, AU, AZ, BA, BB, BG, BH, BR, BW, BY, BZ, CA, CH, CL, CN, CO, CR, CU, CZ, DE, DK, DM, DO, DZ, EC, EE, EG, ES, FI, GB, GD, GE, GH, GM, GT, HN, HR, HU, ID, IL, IN, IS, JP, KE, KG, KM, KN, KP, KR, KZ, LA, LC, LK, LR, LS, LT, LU, LY, MA, MD, ME, MG, MK, MN, MW, MX, MY, MZ, NA, NG, NI, NO, NZ, OM, PE, PG, PH, PL, PT, RO, RS, RU, SC, SD, SE, SG, SK, SL, SM, ST, SV, SY, TH, TJ, TM, TN, TR, TT, TZ, UA, UG, US, UZ, VC, VN, ZA, ZM, ZW.
- (84) **Designated States (unless otherwise indicated, for every kind of regional protection available):** ARIPO (BW, GH, GM, KE, LR, LS, MW, MZ, NA, SD, SL, SZ, TZ, UG, ZM, ZW), Eurasian (AM, AZ, BY, KG, KZ, MD, RU, TJ, TM), European (AL, AT, BE, BG, CH, CY, CZ, DE, DK, EE, ES, FI, FR, GB, GR, HR, HU, IE, IS, IT, LT, LU, LV, MC, MK, MT, NL, NO, PL, PT, RO, SE, SI, SK, SM, TR), OAPI (BF, BJ, CF, CG, CI, CM, GA, GN, GQ, GW, ML, MR, NE, SN, TD, TG).

Declarations under Rule 4.17:

[Continued on next page]

- (54) **Title:** CARTON WITH PRODUCT HOLDING COMPARTMENTS

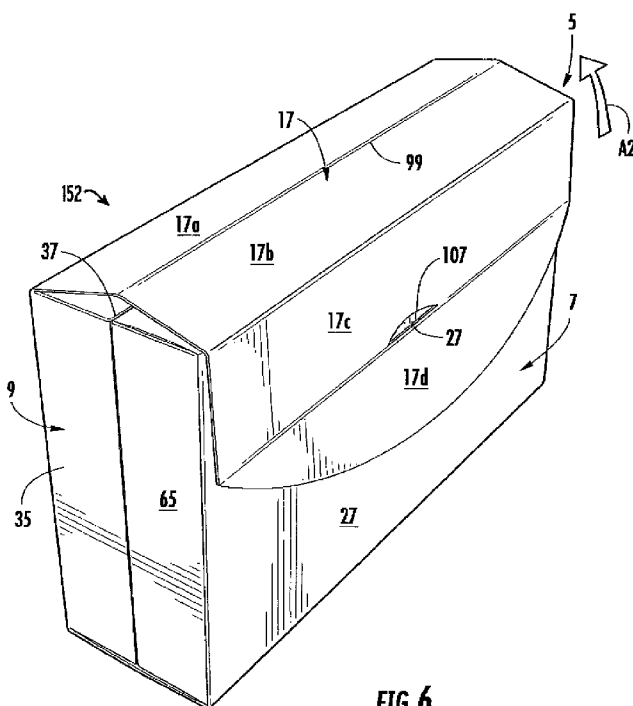


FIG. 6

- (57) **Abstract:** A carton for containing a product. The carton comprises a back panel, a front panel, a bottom panel, and a top flap. A first compartment is foldably connected to the back panel, and a second compartment is foldably connected to the front panel. The top flap is operable to overlap the first and second compartments of the carton.

WO 2011/008901 A3



-
- *as to applicant's entitlement to apply for and be granted a patent (Rule 4.17(ii))*
 - *as to the applicant's entitlement to claim the priority of the earlier application (Rule 4.17(iii))*
 - *before the expiration of the time limit for amending the claims and to be republished in the event of receipt of amendments (Rule 48.2(h))*

(88) Date of publication of the international search report:

28 April 2011

Published:

- *with international search report (Art. 21(3))*

INTERNATIONAL SEARCH REPORT

International application No.
PCT/US2010/042042**A. CLASSIFICATION OF SUBJECT MATTER***B65D 5/4805(2006.01)i, B65D 5/18(2006.01)i, B65D 5/50(2006.01)i, B65D 5/66(2006.01)i, B65D 5/10(2006.01)i*

According to International Patent Classification (IPC) or to both national classification and IPC

B. FIELDS SEARCHED

Minimum documentation searched (classification system followed by classification symbols)

B65D 5/4805; B65D 5/42; B65D 5/00; B65D 43/20; B65D 5/48; B65D 5/486; B65D 85/38

Documentation searched other than minimum documentation to the extent that such documents are included in the fields searched

Korean utility models and applications for utility models

Japanese utility models and applications for utility models

Electronic data base consulted during the international search (name of data base and, where practicable, search terms used)

eKOMPASS(KIPO internal) & Keywords: carton, holder, compartment

C. DOCUMENTS CONSIDERED TO BE RELEVANT

Category*	Citation of document, with indication, where appropriate, of the relevant passages	Relevant to claim No.
X A	KR 10-0336431 B1 (LYU, JAE WON) 13 May 2002 See the pages 2-3, calim 1 and figures 1-4.	1-8, 22, 23, 25-31, 39 , 40, 46, 47 9-21, 24, 32-38 , 41-45
X A	US 2001-0030228 A1 (DAVID TODJAR-HENGAMI) 18 October 2001 See the pages 17-19, claims 1-5 and figures 11-14.	1-8, 22, 23, 39, 40, 46 , 47 9-21, 24-38, 41-45
A	KR 20-0115382 Y1 (LEE, HUNG SU) 15 April 1998 See the pages 2-3, calim 1 and figures 1-7.	1-47
A	KR 10-0856067 B1 (EUNSUNG PAPER INC.) 03 September 2008 See the pages 4-5, calim 1 and figures 1-3.	1-47
A	US 2008-0264812 A1 (GONZALEZ GARY) 30 October 2008 See the whole pages.	1-47

 Further documents are listed in the continuation of Box C. See patent family annex.

* Special categories of cited documents:

"A" document defining the general state of the art which is not considered to be of particular relevance

"E" earlier application or patent but published on or after the international filing date

"L" document which may throw doubts on priority claim(s) or which is cited to establish the publication date of citation or other special reason (as specified)

"O" document referring to an oral disclosure, use, exhibition or other means

"P" document published prior to the international filing date but later than the priority date claimed

"T" later document published after the international filing date or priority date and not in conflict with the application but cited to understand the principle or theory underlying the invention

"X" document of particular relevance; the claimed invention cannot be considered novel or cannot be considered to involve an inventive step when the document is taken alone

"Y" document of particular relevance; the claimed invention cannot be considered to involve an inventive step when the document is combined with one or more other such documents, such combination being obvious to a person skilled in the art

"&" document member of the same patent family

Date of the actual completion of the international search

10 FEBRUARY 2011 (10.02.2011)

Date of mailing of the international search report

17 FEBRUARY 2011 (17.02.2011)

Name and mailing address of the ISA/KR

Korean Intellectual Property Office
Government Complex-Daejeon, 139 Seonsa-ro, Seo-
gu, Daejeon 302-701, Republic of Korea

Facsimile No. 82-42-472-7140

Authorized officer

CHOI, Jeon Seok

Telephone No. 82-42-481-8550



INTERNATIONAL SEARCH REPORT

Information on patent family members

International application No.

PCT/US2010/042042

Patent document cited in search report	Publication date	Patent family member(s)	Publication date
KR 10-0336431 B1	13.05.2002	None	
US 2001-0030228 A1	18.10.2001	AU 2001-25994 A1 AU 2003-233443 A1 CA 2365108-A1 EP 1224130 A1 MX PA01008674A US 2002-0179699 A1 US 6360942 B2 US 6435402 B1 US 6945449 B2 WO 01-46031 A1 WO 03-082694 A1	03.07.2001 13.10.2003 28.06.2001 24.07.2002 21.06.2002 05.12.2002 26.03.2002 20.08.2002 20.09.2005 28.06.2001 09.10.2003
KR 20-0115382 Y1	15.04.1998	None	
KR 10-0856067 B1	03.09.2008	None	
US 2008-0264812 A1	30.10.2008	None	