



US00D756796S

(12) **United States Design Patent**
Sifuentes et al.

(10) **Patent No.:** **US D756,796 S**

(45) **Date of Patent:** **** May 24, 2016**

(54) **CONTAINER**
(71) Applicant: **Direct Pack, Inc.**, Sun Valley, CA (US)
(72) Inventors: **Gandhi B. Sifuentes**, West Covina, CA (US); **Cesar E. Ramirez**, Hacienda Heights, CA (US)
(73) Assignee: **DIRECT PACK, INC.**, Azusa, CA (US)
(**) Term: **14 Years**
(21) Appl. No.: **29/518,794**

3,610,510 A * 10/1971 Lowry B65D 1/34
206/457
D227,226 S * 6/1973 Bird D9/425
D275,080 S * 8/1984 Sun D9/423
D383,061 S * 9/1997 Kolby-Larsen D9/629
D405,002 S * 2/1999 Appelbaum D9/629
D468,529 S * 1/2003 Sabounjian D9/418
D523,757 S * 6/2006 Garcia D9/418
D552,924 S * 10/2007 Nichols D7/359
D557,604 S * 12/2007 Sarnoff D9/451
D585,735 S * 2/2009 Vovan D9/416
D697,422 S * 1/2014 Changpan D9/629
D700,844 S * 3/2014 Staller D9/433

* cited by examiner

(22) Filed: **Feb. 27, 2015**
(51) **LOC (10) Cl.** **09-01**
(52) **U.S. Cl.**
USPC **D9/629; D9/425**

Primary Examiner — Sandra Morris
(74) *Attorney, Agent, or Firm* — Frost Brown Todd LLC

(58) **Field of Classification Search**
USPC D3/270–371.2; D7/514–516, 539, 544,
D7/551.1, 566–567, 571, 579, 594, 604,
D7/613, 619.2, 623, 628–630, 392.1;
D9/600, 629, 414–434, 441, 451;
229/116.1–116.2; 206/457, 414, 527,
206/540
CPC B65D 67/00; B65D 67/01; B65D 81/36;
B65D 81/368; B65D 1/34; B65D 77/00;
A47G 19/02; A47G 23/06
See application file for complete search history.

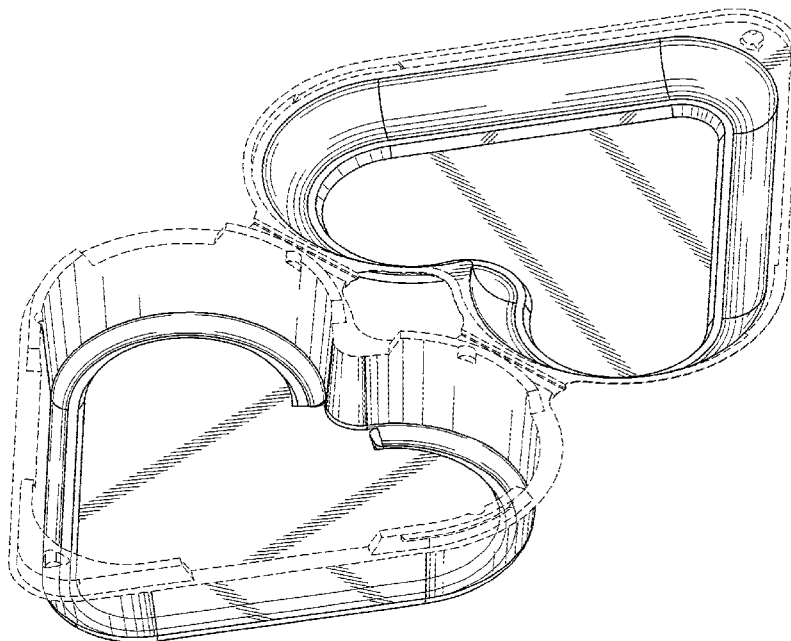
(57) **CLAIM**
The ornamental design for a container, as shown and described.

DESCRIPTION

FIG. 1 is a top perspective view of a container showing our new design in an open position;
FIG. 2 is a top perspective view of the container in a closed position;
FIG. 3 is a front elevational view of thereof;
FIG. 4 is a rear elevational view thereof;
FIG. 5 is a left elevational view thereof;
FIG. 6 is a right elevational view thereof;
FIG. 7 is a top plan view thereof; and,
FIG. 8 is a bottom plan view thereof.
The portions of the container shown in broken lines are unclaimed environment and form no part of the claimed design.

(56) **References Cited**
U.S. PATENT DOCUMENTS
D169,367 S * 4/1953 Ferrano D9/629
D220,752 S * 5/1971 Artz D9/425

1 Claim, 8 Drawing Sheets



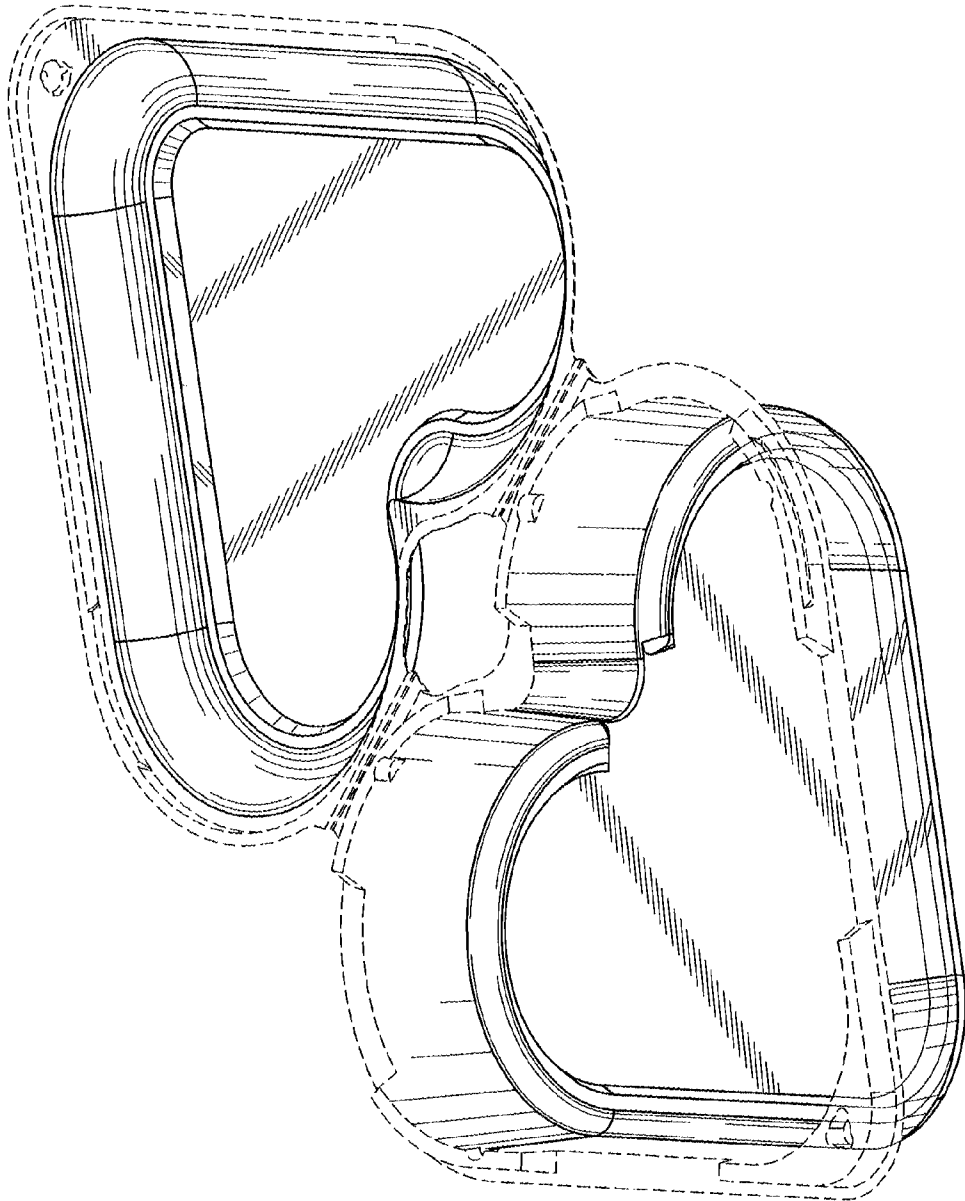


Fig. 1

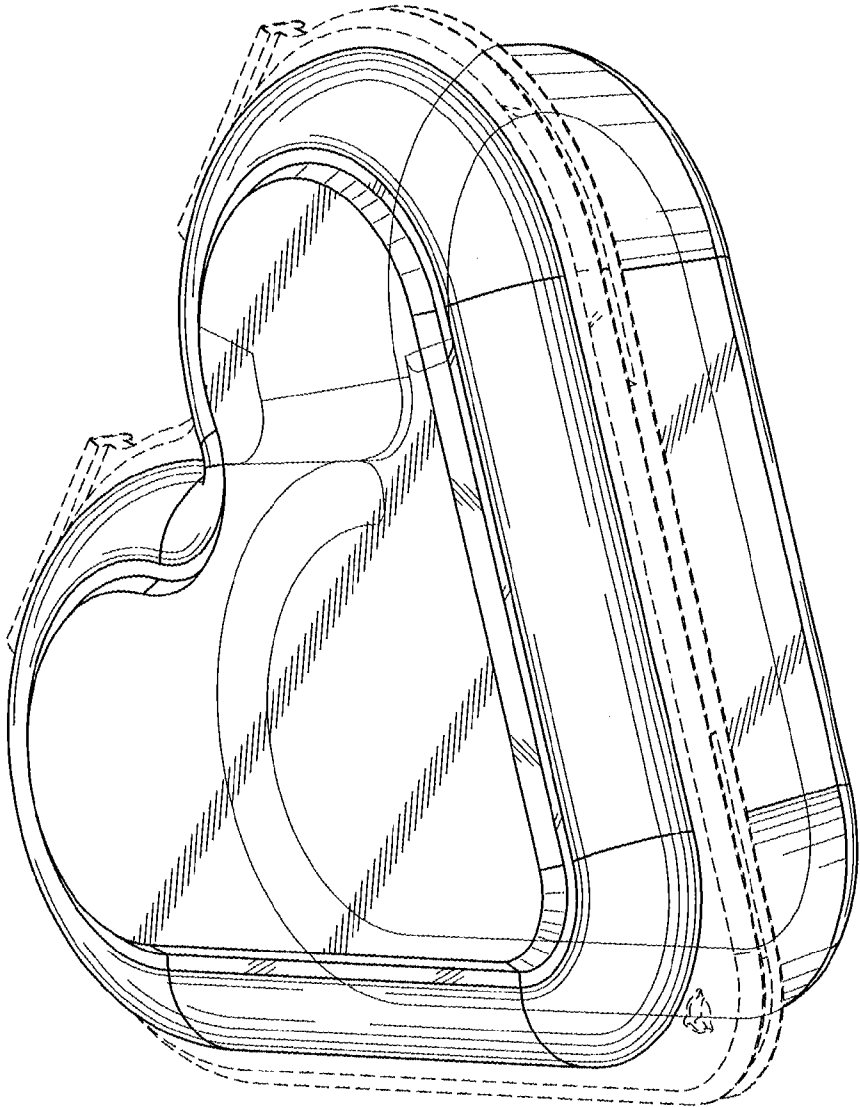


Fig.2

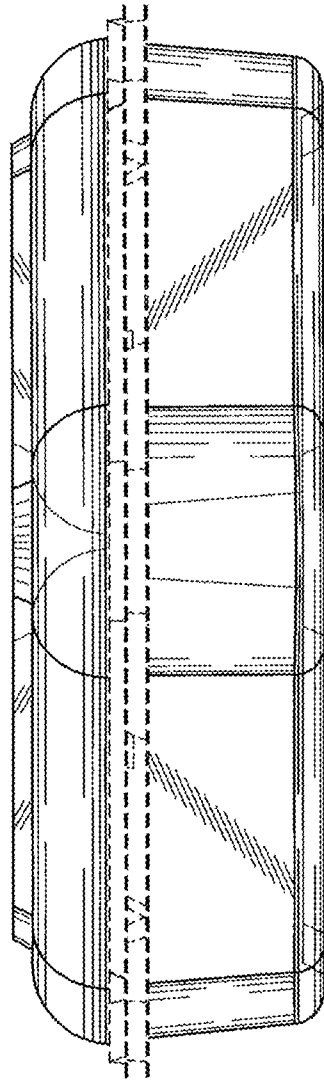


Fig.3

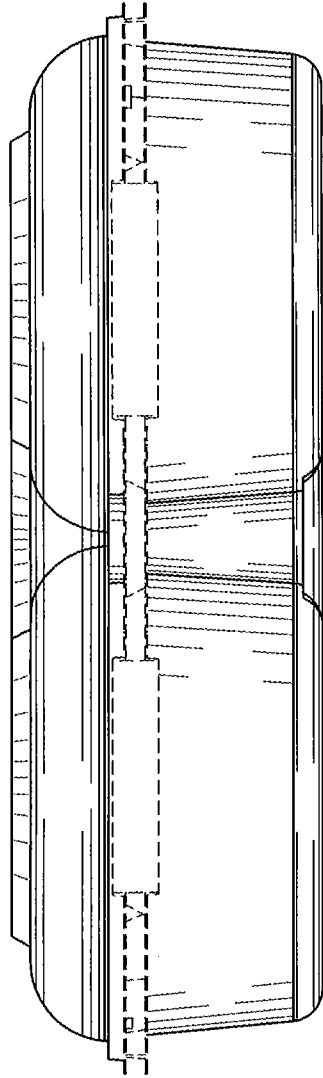


Fig. 4

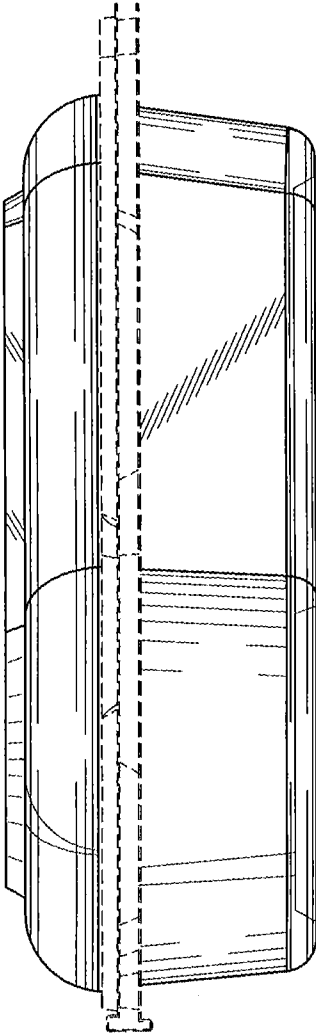


Fig. 5

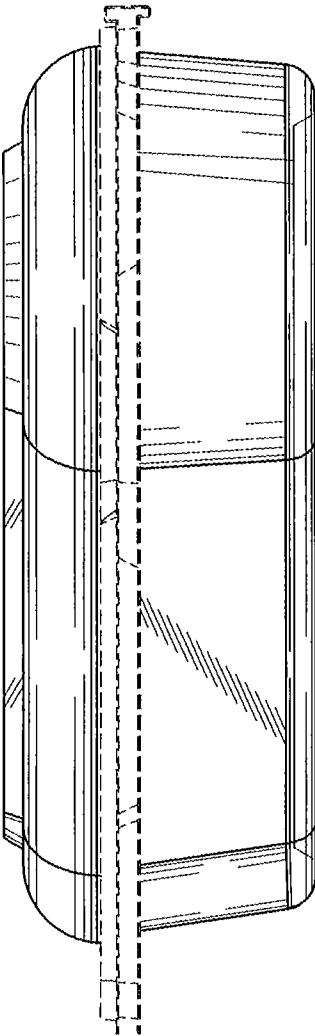


Fig. 6

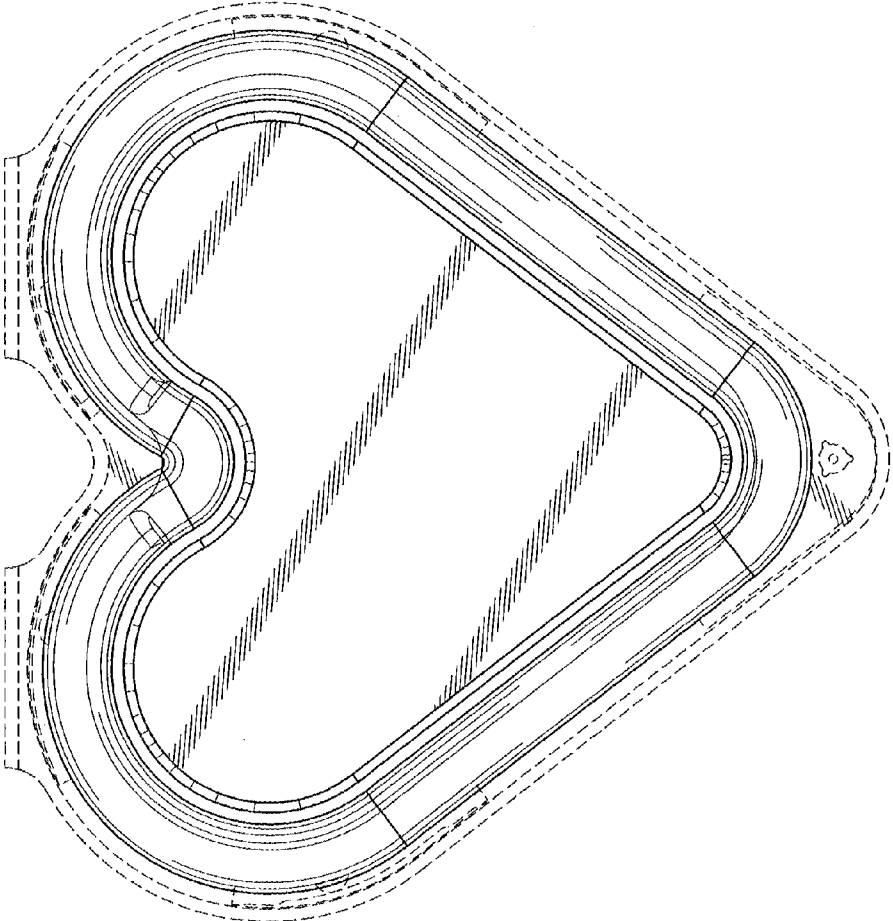


Fig.7

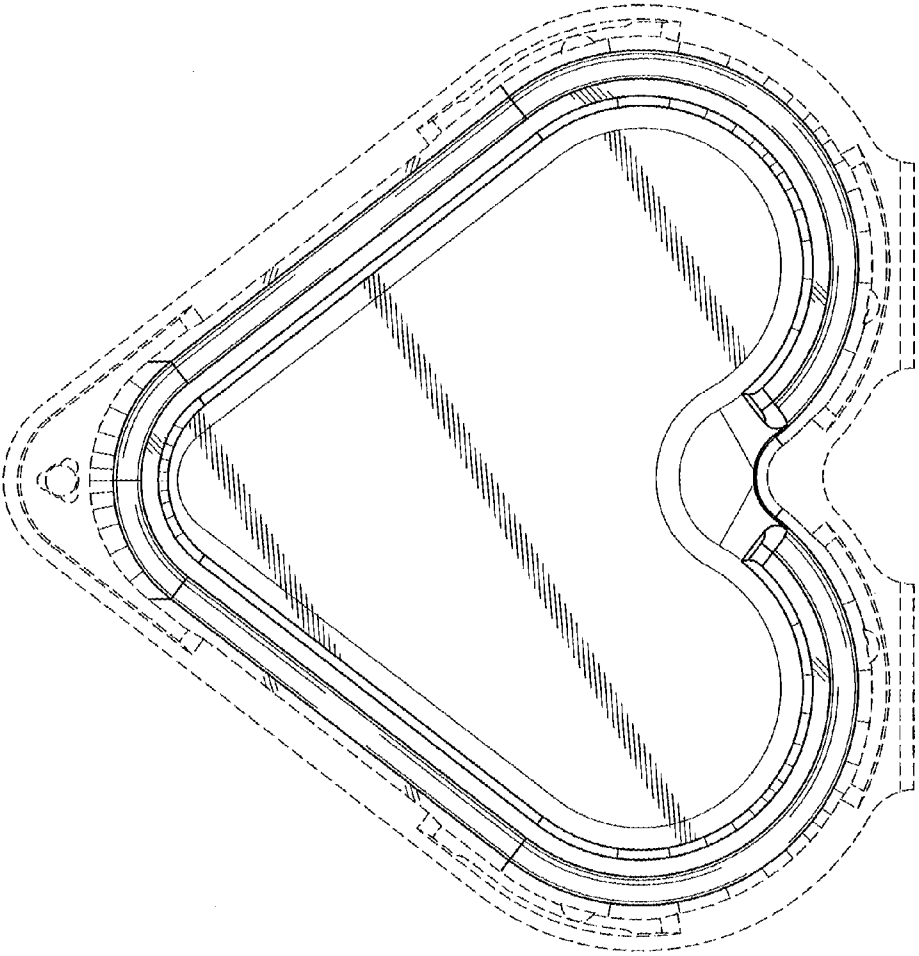


Fig.8