



US00D908550S

(12) **United States Design Patent**
Berman et al.

(10) **Patent No.:** **US D908,550 S**

(45) **Date of Patent:** **** Jan. 26, 2021**

(54) **ROLLATOR**

OTHER PUBLICATIONS

(71) Applicant: **Medline Industries, Inc.**, Northfield, IL (US)

“Adjustable Rollator by Patterson Medical”, Medline product currently available at <https://www.medline.com/product/Adjustable-Rollator-by-Patterson-Medical/Rollators/Z05-PF55372?question=rollator&index=P35&indexCount=35>, believed to be publicly available at least before Oct. 13, 2016.

(72) Inventors: **Emily Hannah Berman**, Park Ridge, IL (US); **William Elliott Brooks**, Chicago, IL (US)

(Continued)

(73) Assignee: **Medline Industries, Inc.**, Northfield, IL (US)

Primary Examiner — Charles D Hanson

(**) Term: **15 Years**

(74) *Attorney, Agent, or Firm* — Fitch, Even, Tabin & Flannery LLP

(21) Appl. No.: **29/701,305**

(22) Filed: **Aug. 9, 2019**

(57) **CLAIM**

Related U.S. Application Data

The ornamental design for a rollator, as shown and described.

(63) Continuation of application No. 29/642,301, filed on Mar. 28, 2018, now Pat. No. Des. 857,561.

(51) **LOC (13) Cl.** **12-12**

(52) **U.S. Cl.**
USPC **D12/130**

(58) **Field of Classification Search**

USPC D12/128–133
CPC A61H 3/00; A61H 3/04; A61H 2003/001–007; A61H 2003/043; A61H 2003/046

See application file for complete search history.

DESCRIPTION

FIG. 1 is a front perspective view of our new design of a rollator in a first configuration; FIG. 2 is a right side elevation view thereof; FIG. 3 is a top plan view thereof; FIG. 4 is a left side elevation view thereof; FIG. 5 is a bottom plan view thereof; FIG. 6 is a front elevation view thereof; FIG. 7 is a rear elevation view thereof; FIG. 8 is a front perspective view of the rollator in a second configuration; FIG. 9 is a right side elevation view thereof; FIG. 10 is a top plan view thereof; FIG. 11 is a left side elevation view thereof; FIG. 12 is a bottom plan view thereof; FIG. 13 is a front elevation view thereof; and, FIG. 14 is a rear elevation view thereof. The broken lines illustrate portions of the rollator that form no part of the claimed design.

(56) **References Cited**

U.S. PATENT DOCUMENTS

474,666 A 5/1892 Krehbiel
3,186,759 A 6/1965 Reeves
3,338,628 A 8/1967 Evans
4,211,309 A 7/1980 Ruggiero
4,229,039 A 10/1980 Day

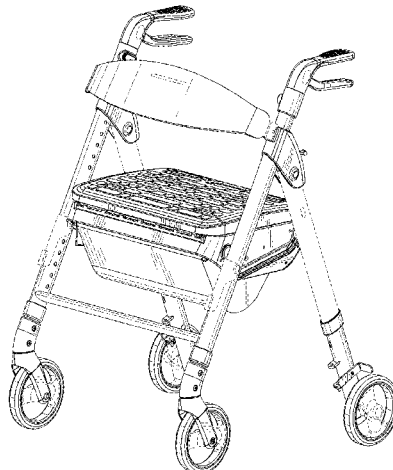
(Continued)

FOREIGN PATENT DOCUMENTS

CN 1602826 4/2005
CN 201019980 2/2008

(Continued)

1 Claim, 14 Drawing Sheets



(56)

References Cited

U.S. PATENT DOCUMENTS

4,341,381 A 7/1982 Norberg
 D281,771 S 12/1985 Webb
 D289,507 S 4/1987 Danielsson
 5,058,912 A 10/1991 Harroun
 5,060,967 A 10/1991 Hulterstrum
 5,224,731 A 7/1993 Johnson
 5,320,122 A 6/1994 Jacobson, II
 5,364,120 A 11/1994 Shimansky
 5,419,571 A 5/1995 Vaughan
 D360,174 S 7/1995 Kjell
 D367,833 S 3/1996 Ahlbertz
 D372,890 S 8/1996 Ferm
 5,716,063 A 2/1998 Doyle
 5,741,020 A 4/1998 Harroun
 5,772,234 A 6/1998 Luo
 D396,437 S 7/1998 Liljedahl
 5,816,593 A 10/1998 Che
 5,904,168 A 5/1999 Alulyan
 6,338,493 B1 1/2002 Wohlgemuth
 6,378,883 B1 4/2002 Epstein
 D501,432 S 2/2005 Møller
 D503,909 S 4/2005 Tølfesen
 D519,423 S 4/2006 Tølfesen
 7,192,043 B1 3/2007 McLuen
 7,219,906 B2 5/2007 Hallgrimsson
 7,306,246 B2 12/2007 Gale
 D560,563 S 1/2008 Fransson
 7,370,734 B2 5/2008 Hallgrimsson
 7,379,734 B2 5/2008 Sato
 7,484,740 B2 2/2009 Miller
 7,628,411 B2 12/2009 Meyers
 D623,992 S 9/2010 Derks
 D633,830 S 3/2011 Derks
 7,918,473 B2 4/2011 Yao
 8,083,240 B2 12/2011 Jacobs
 8,226,111 B2 7/2012 Valdez
 8,596,669 B2 12/2013 Liao
 D699,634 S 2/2014 Wu
 8,646,804 B2 2/2014 Derks
 8,851,502 B2 10/2014 Gaudiano
 D721,620 S 1/2015 Huang
 8,936,262 B2 1/2015 Nabeta
 8,979,114 B2 3/2015 Cheng
 8,998,222 B2 4/2015 Huang
 8,998,223 B2 4/2015 Chang
 D736,121 S 8/2015 Wang
 D739,314 S * 9/2015 Wang D12/130
 9,173,802 B2 11/2015 Willis
 9,226,868 B2 * 1/2016 Andersen A61H 3/04
 D754,034 S * 4/2016 Wang D12/130
 D754,568 S * 4/2016 Wang D12/130
 9,381,132 B2 * 7/2016 Chen A61H 3/04
 D766,139 S 9/2016 Chen
 D789,255 S 6/2017 Delatorre
 9,687,411 B2 * 6/2017 Chen A61H 3/04
 D795,752 S 8/2017 Wang
 D795,753 S 8/2017 Wang
 9,763,849 B2 * 9/2017 Paterson A61H 3/04
 D798,778 S 10/2017 Lin
 D801,231 S 10/2017 Wang
 9,839,571 B2 * 12/2017 Pan A61H 3/04
 D807,793 S * 1/2018 Paterson D12/130
 9,877,889 B2 * 1/2018 Chen A61H 3/00
 9,907,723 B2 * 3/2018 Bisceglia A61H 3/04
 9,968,509 B2 * 5/2018 Andersen A61H 3/04
 9,974,708 B1 * 5/2018 Janeczek A61G 5/0816
 D819,503 S * 6/2018 Huang D12/130
 D836,499 S * 12/2018 Delatorre D12/130
 D837,697 S * 1/2019 Luo D12/130
 D845,841 S * 4/2019 No-Young D12/130
 D857,561 S 8/2019 Berman
 D865,575 S * 11/2019 Lin D12/130
 D869,347 S * 12/2019 Huang D12/130
 D874,351 S * 2/2020 Fellingham D12/130
 10,617,592 B2 * 4/2020 Fellingham A61H 3/04

2002/0050697 A1 5/2002 Hallgrimsson
 2002/0079663 A1 6/2002 Hallgrimsson
 2002/0153684 A1 10/2002 Sung
 2004/0079405 A1 4/2004 Sanders
 2004/0104559 A1 6/2004 Chen
 2004/0118640 A1 6/2004 Hallgrimsson
 2004/0245737 A1 12/2004 Hallgrimsson
 2005/0001398 A1 1/2005 Serhan
 2006/0284040 A1 12/2006 Nixon
 2007/0034243 A1 2/2007 Miller
 2007/0170699 A1 * 7/2007 Li A61H 3/04
 280/642
 2007/0235067 A1 10/2007 Gale
 2007/0267054 A1 11/2007 Meyers
 2007/0283990 A1 12/2007 Fernandez
 2008/0111349 A1 5/2008 Willis
 2008/0129016 A1 6/2008 Willis
 2008/0135077 A1 6/2008 Meyers
 2008/0202571 A1 8/2008 Meyers
 2008/0252043 A1 10/2008 Willis
 2009/0033052 A1 2/2009 Bradshaw
 2010/0301574 A1 12/2010 Derks
 2012/0205882 A1 8/2012 Staggs
 2013/0113187 A1 5/2013 Willis
 2013/0292916 A1 11/2013 Nabeta
 2013/0320640 A1 12/2013 Liu
 2014/0084559 A1 3/2014 Fang
 2014/0125037 A1 * 5/2014 Andersen A61H 3/04
 280/639
 2014/0333040 A1 * 11/2014 Liu A61H 3/04
 280/42
 2015/0182394 A1 7/2015 Kutsch
 2016/0113833 A1 4/2016 Andersen
 2018/0021204 A1 1/2018 Paterson
 2019/0105223 A1 4/2019 Paterson

FOREIGN PATENT DOCUMENTS

CN 202724206 2/2013
 DE 29717488 11/1997
 EP 2343035 8/2012
 JP D1148308 7/2002
 JP D1292289 1/2007
 TW D107853 11/2005
 TW D127741 3/2009

OTHER PUBLICATIONS

“Bariatric RollAider™ by Patterson Medical”, Medline product currently available at <https://www.medline.com/product/Bariatric-RollAider153-by-Patterson-Medical/Rollators/Z05-PF74285?question=rollator&index=P43&indexCount=43>, believed to be publicly available at least before Oct. 13, 2016.
 “Basic Rollators”, Medline product currently available at <https://www.medline.com/product/Basic-Rollators/Rollators/Z05-PF04832?question=rollator&index=P4&indexCount=4>, believed to be publicly available at least before Oct. 13, 2016.
 “Basic Steel Rollators”, Medline product currently available at <https://www.medline.com/product/Basic-Steel-Rollators/Rollators/Z05-PF61071?question=rollator&index=P10&indexCount=10>, believed to be publicly available at least before Oct. 13, 2016.
 “Deluxe Comfort Rollators”, Medline product currently available at <https://www.medline.com/product/Deluxe-Comfort-Rollators/Rollators/Z05-PF61367?question=rollator&index=P8&indexCount=8>, believed to be publicly available at least before Oct. 13, 2016.
 “Deluxe Rollators”, Medline product currently available at <https://www.medline.com/product/Deluxe-Rollators/Rollators/Z05-PF04834?question=rollator&index=P6&indexCount=6>, believed to be publicly available at least before Oct. 13, 2016.
 “Empower Rollator”, Medline product currently available at <https://www.medline.com/product/Empower-Rollator/Rollators/Z05-PF75510?question=rollator&index=P11&indexCount=11>, believed to be publicly available at least before Oct. 13, 2016.
 “Guardian Deluxe Rollators with 8” Wheels”, Medline product currently available at <https://www.medline.com/product/Guardian->

(56)

References Cited

OTHER PUBLICATIONS

Deluxe-Rollators-with-8-Wheels/Rollators/Z05-PF04840?question=rollator&index=P1&indexCount=1#mrkSpec, believed to be publicly available at least before Oct. 13, 2016.

“Guardian Economy Rollators”, Medline product currently available at <https://www.medline.com/product/Guardian-Economy-Rollators/Rollators/Z05-PF04841?question=rollator&index=P9&indexCount=9>, believed to be publicly available at least before Oct. 13, 2016.

“Invacare® Rollite™ Rollator by Patterson Medical”, Medline product currently available at <https://www.medline.com/product/Invacare-Rollite153-Rollator-by-Patterson-Medical/Rollators/Z05-PF59721?question=rollator&index=P37&indexCount=38>, believed to be publicly available at least before Oct. 13, 2016.

“Light Weight Extra Wide Heavy-Duty Alumi”, Medline product currently available at <https://www.medline.com/product/Light-Weight-Extra-Wide-Heavy-Duty-Alumi/Rollators/Z05-PF55515?question=rollator&index=P41&indexCount=41>, believed to be publicly available at least before Oct. 13, 2016.

“Luxe Rollator”, Medline product currently available at <https://www.medline.com/product/Luxe-Rollator/Rollators/Z05-PF04842?question=rollator&index=P7&indexCount=7>, believed to be publicly available at least before Oct. 13, 2016.

“Posh Pink Zebra Rollator”, Medline product currently available at <https://www.medline.com/product/Posh-Pink-Zebra-Rollator/Rollators/Z05-PF70685?question=rollator&index=P21&indexCount=21>, believed to be publicly available at least before Oct. 13, 2016.

“Rollators with 8" Wheels”, Medline product currently available at <https://www.medline.com/product/Rollators-with-8-Wheels/Rollators/Z05-PF04844?question=rollator&index=P2&indexCount=2>, believed to be publicly available at least before Oct. 13, 2016.

“Set n’ Go Height Adjustable Rollator by Graham-Field”, Medline product currently available at <https://www.medline.com/product/Set-n-Go-Height-Adjustable-Rollator-by-Graham-Field/Rollators/Z05-PF110256?question=rollator&index=P29&indexCount=29>, believed to be publicly available at least before Oct. 13, 2016.

“Simplicity Rollator”, Medline product currently available at <https://www.medline.com/product/Simplicity-Rollator/Rollators/Z05->

PF71394?question=rollator&index=P12&indexCount=12c, believed to be publicly available at least before Oct. 13, 2016.

“Standard Bariatric Heavy Duty Rollator”, Medline product currently available at <https://www.medline.com/product/Standard-Bariatric-Heavy-Duty-Rollator/Rollators/Z05-PF04829?question=rollator&index=P3&indexCount=3>, believed to be publicly available at least before Oct. 13, 2016.

“Stealth Rollator”, Medline product currently available at <https://www.medline.com/product/Stealth-Rollator/Rollators/Z05-PF71395?question=rollator&index=P19&indexCount=19>, believed to be publicly available at least before Oct. 13, 2016.

“Tri-Wheeled Rollators”, Medline product currently available at <https://www.medline.com/product/Tri-Wheeled-Rollators/Rollators/Z05-PF04845?question=rollator&index=P16&indexCount=16>, believed to be publicly available at least before Oct. 13, 2016.

“U-Step Walking Stabilizer by Alimed”, Medline product currently available at <https://www.medline.com/product/U-Step-Walking-Stabilizer-by-Alimed/Rollators/Z05-PF57847?question=rollator&index=P48&indexCount=48>, believed to be publicly available at least before Oct. 13, 2016.

“Ultralight Rollators”, Medline product currently available at <https://www.medline.com/product/Ultralight-Rollators/Rollators/Z05-PF04838?question=rollator&index=P5&indexCount=5>, believed to be publicly available at least before Oct. 13, 2016.

“Walker CarryOn! Bags by Patterson”, Medline product currently available at <https://www.medline.com/product/Walker-CarryOn-Bags-by-Patterson-Medical/Parts-Accessories/Z05-PF58535?P19&indexCount=19>, believed to be publicly available at least before Oct. 13, 2016.

“Width Adjustable Rollators”, Medline product currently available at <https://www.medline.com/product/Width-Adjustable-Rollators/Rollators/Z05-PF103010?question=rollator&index=P18&indexCount=18>, believed to be publicly available at least before Oct. 13, 2016.

“Winnie Mimi Lite-RollatorTransport Cha”, Medline product currently available at <https://www.medline.com/product/Winnie-Mimi-Lite-Rollator-Transport-Cha/Rollators/Z05-PF43257?question=rollator&index=P53&indexCount=53>, believed to be publicly available at least before Oct. 13, 2016.

* cited by examiner

FIG. 1



FIG. 2

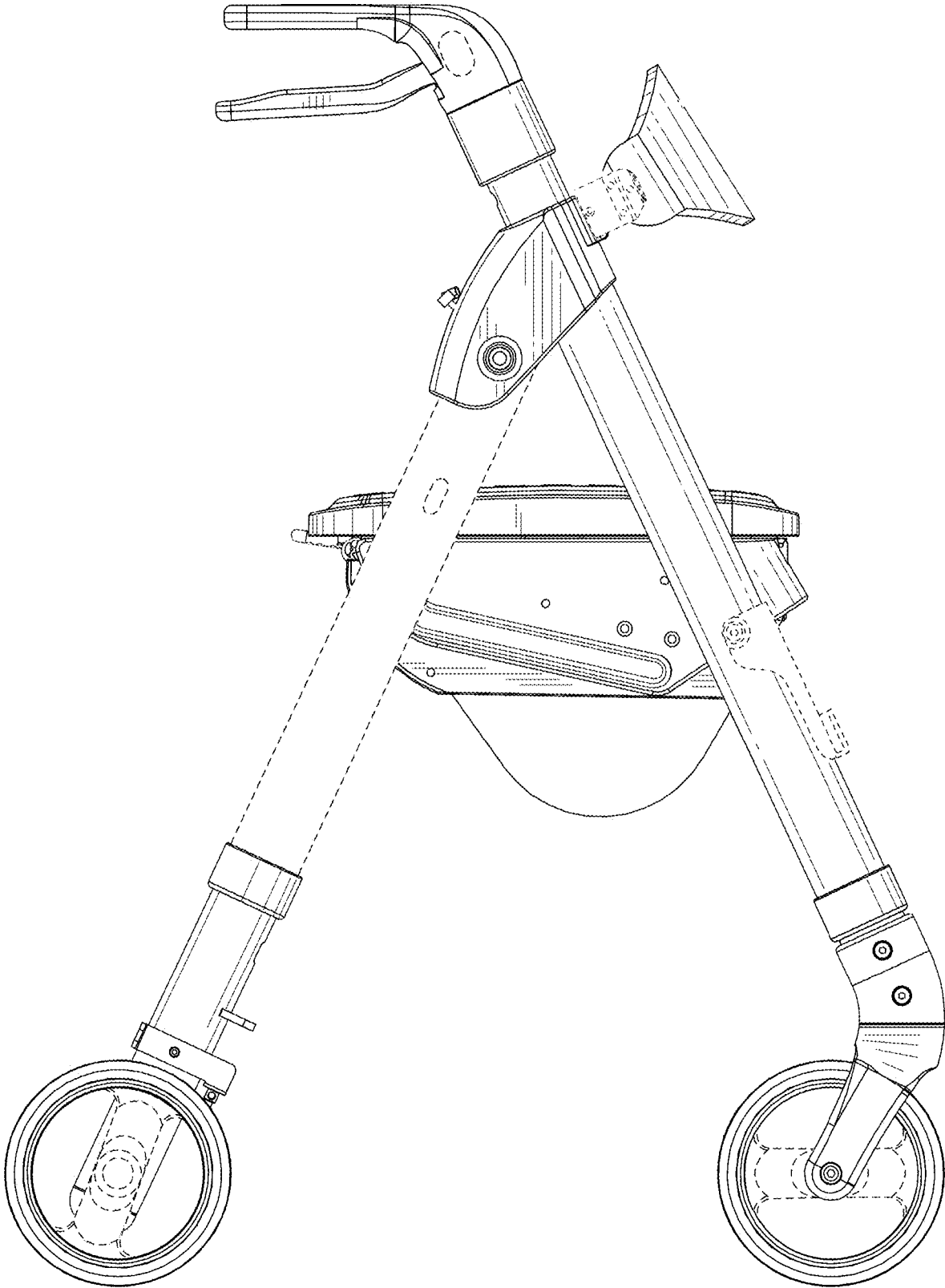


FIG. 3

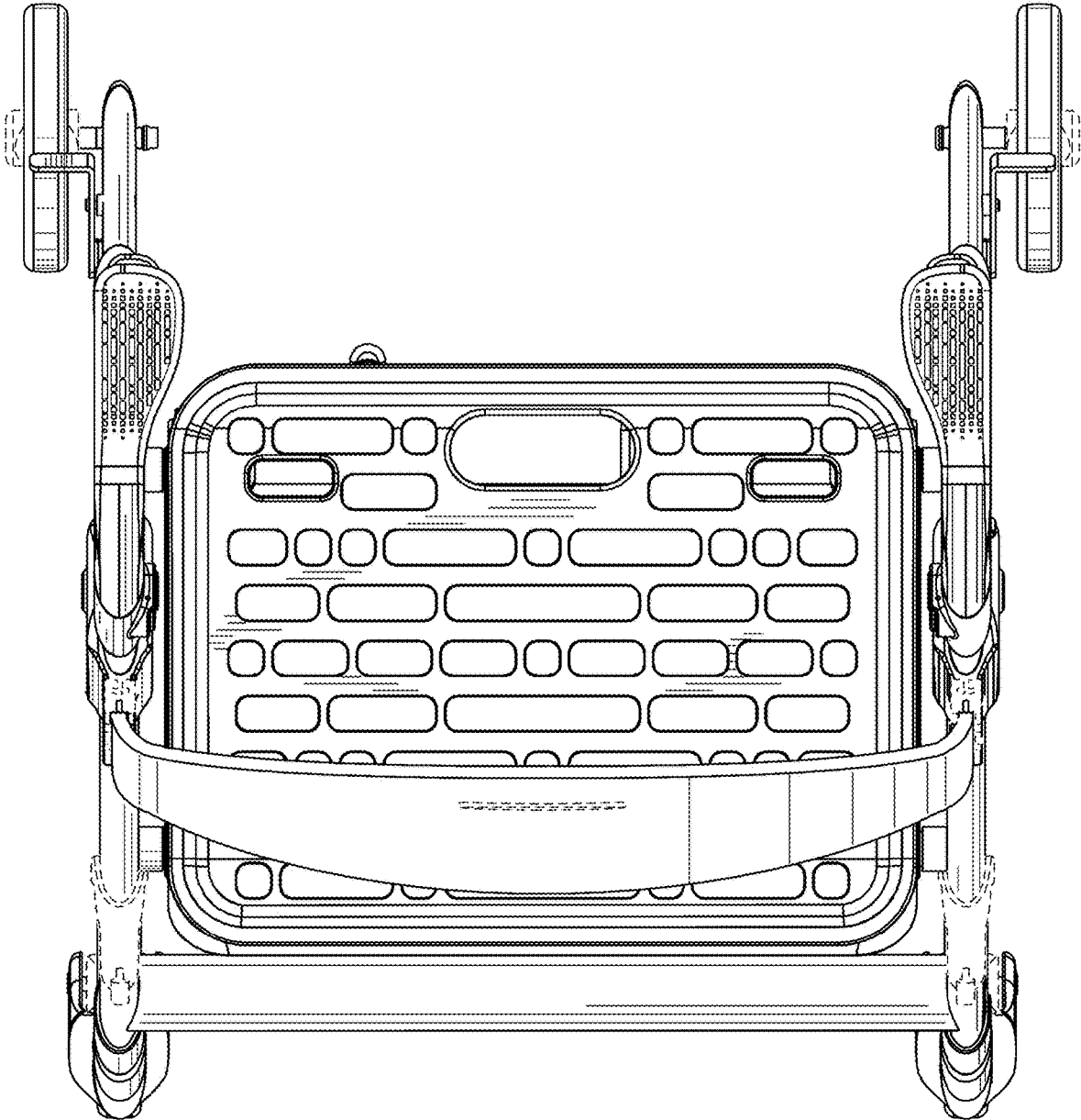


FIG. 4

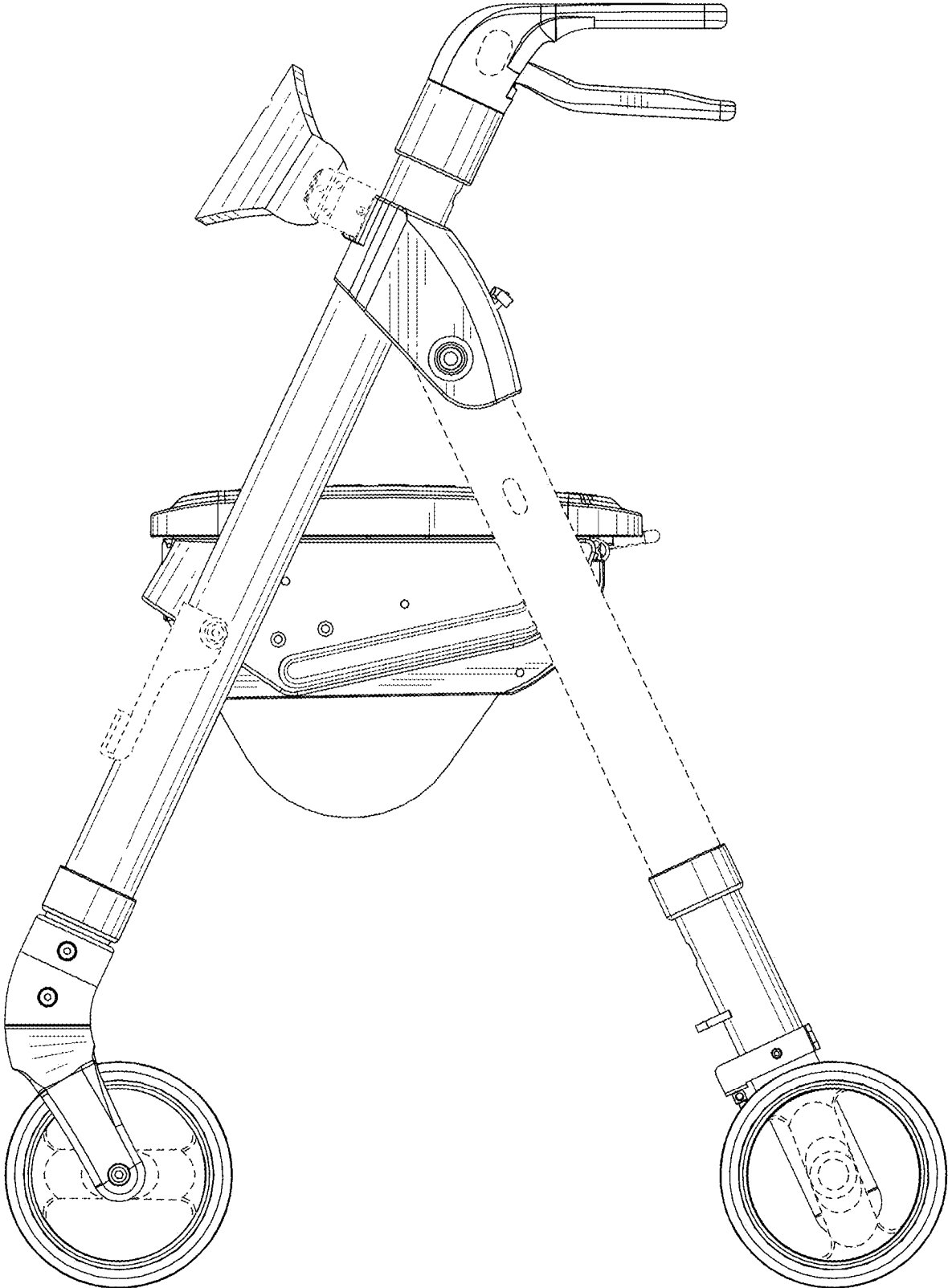


FIG. 5

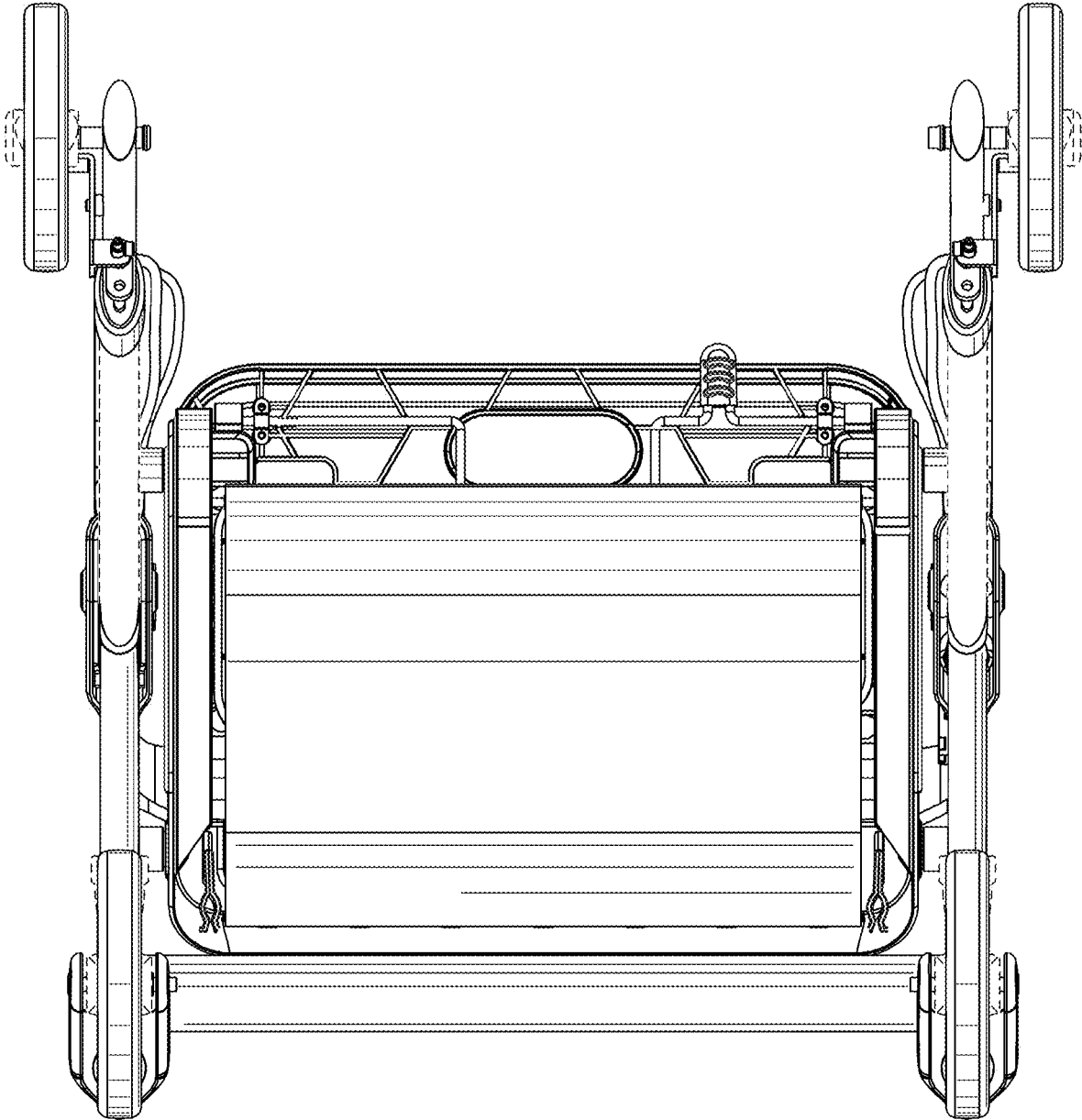


FIG. 6

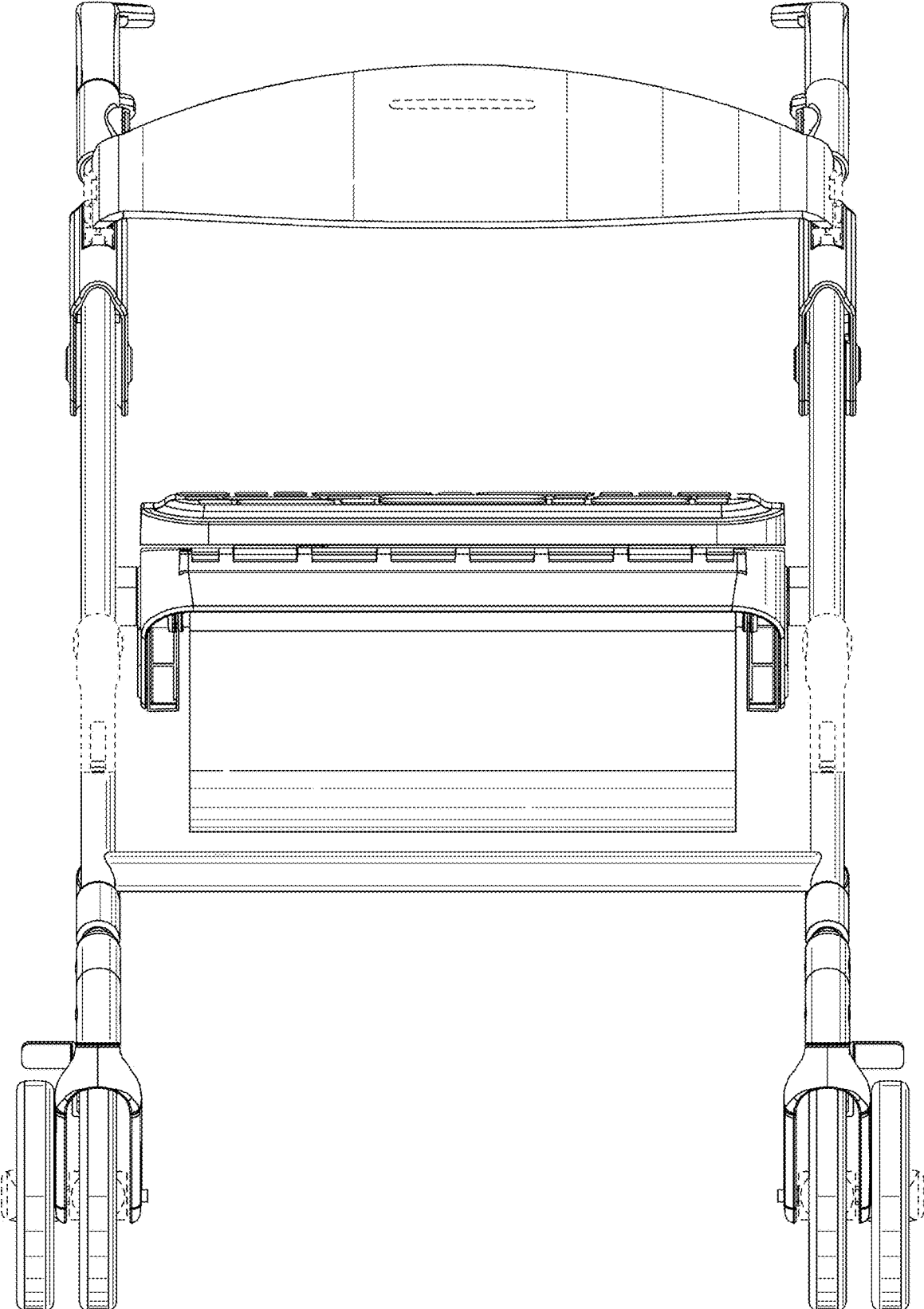


FIG. 7

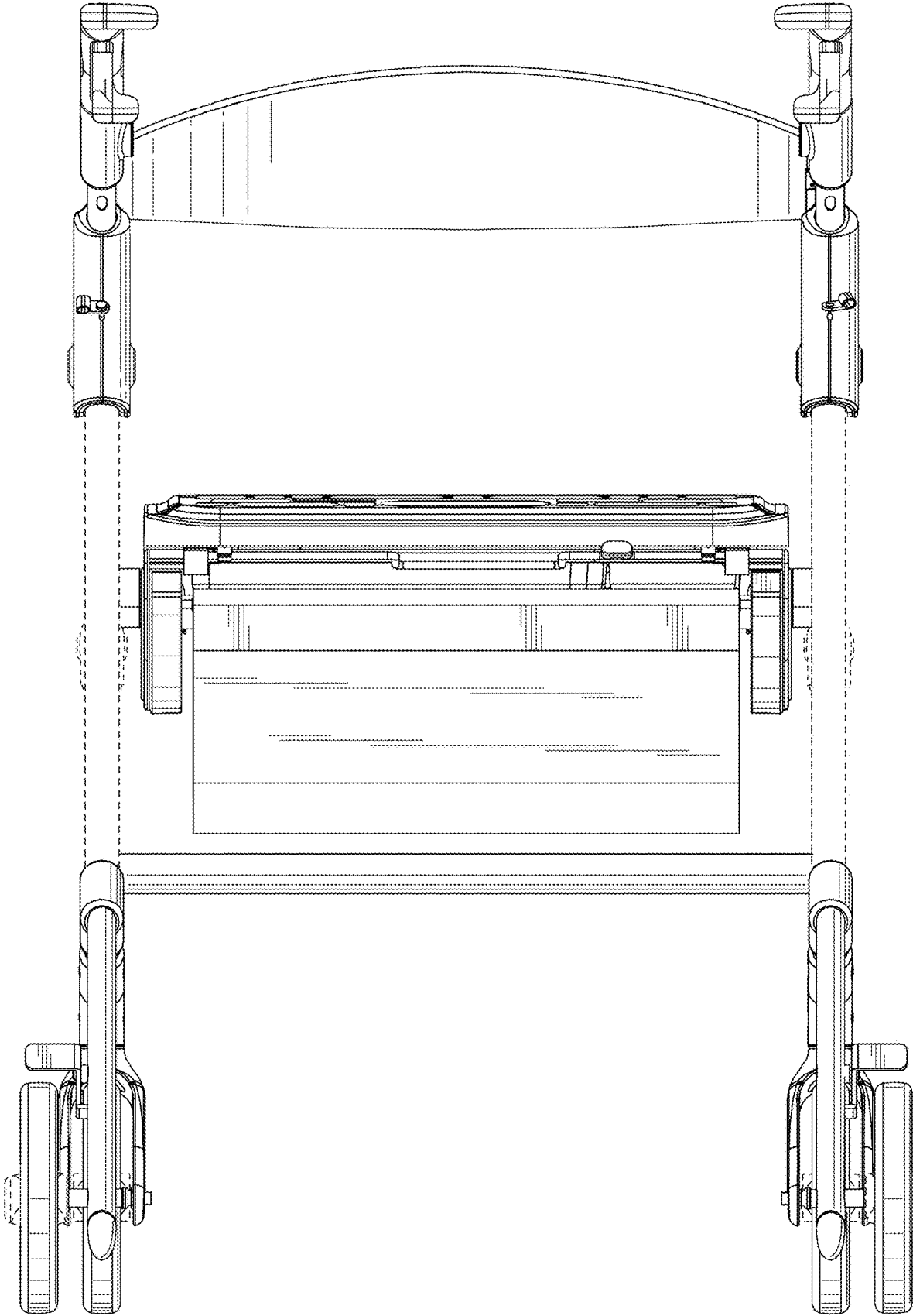


FIG. 8

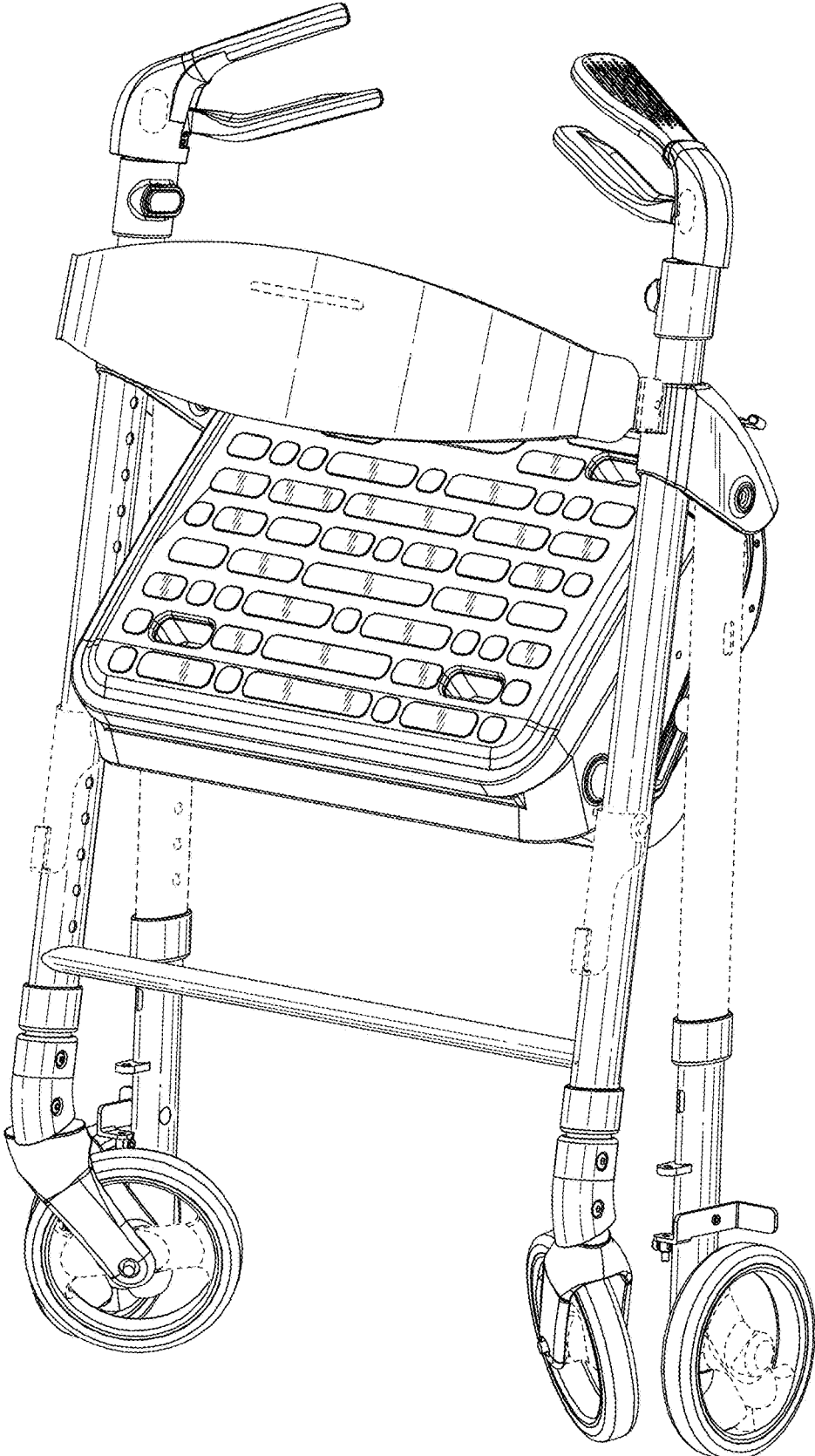


FIG. 9

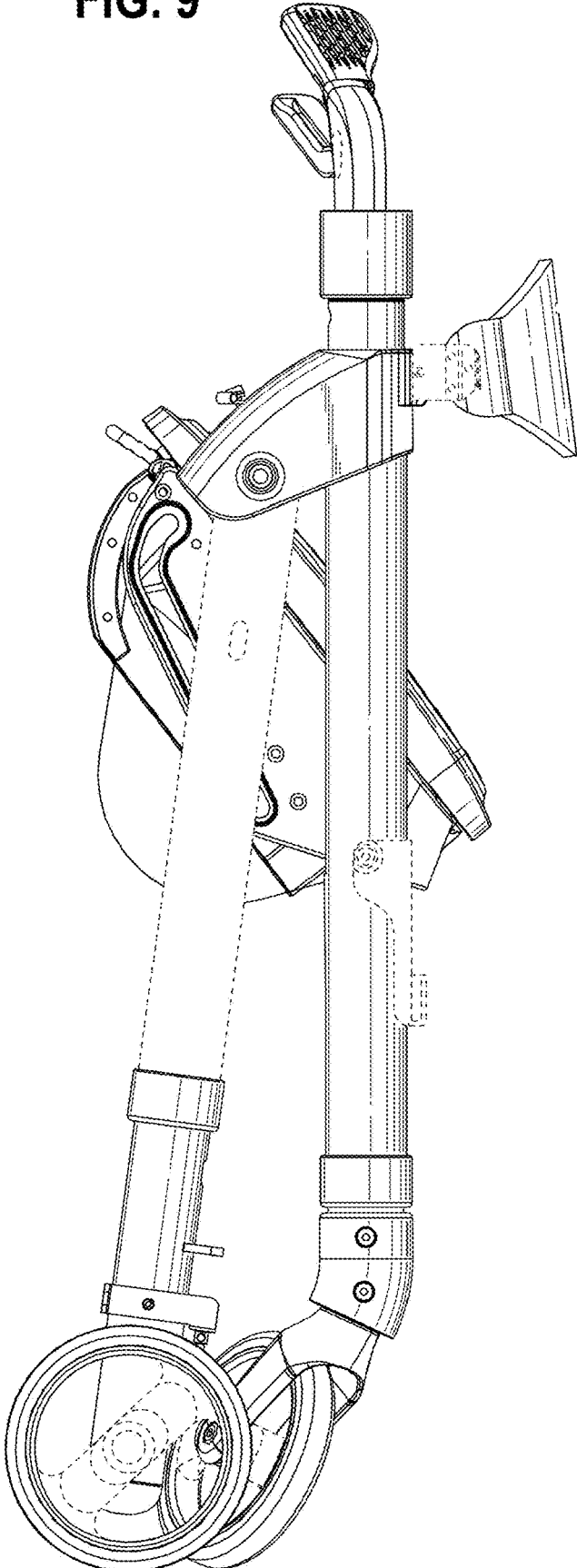


FIG. 10

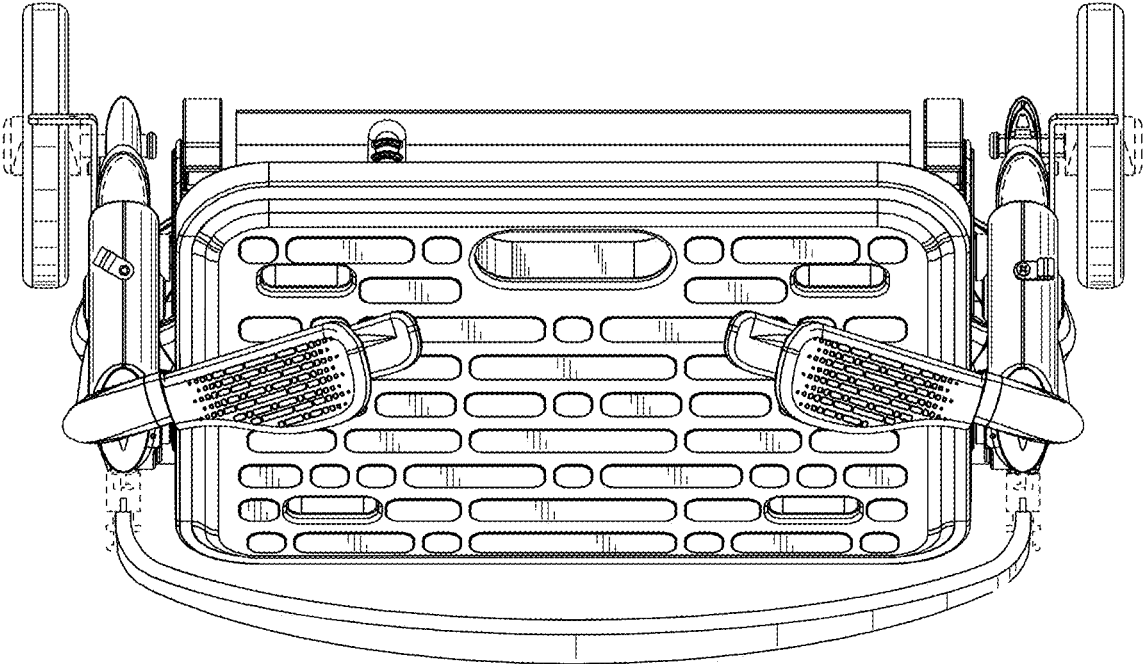


FIG. 11

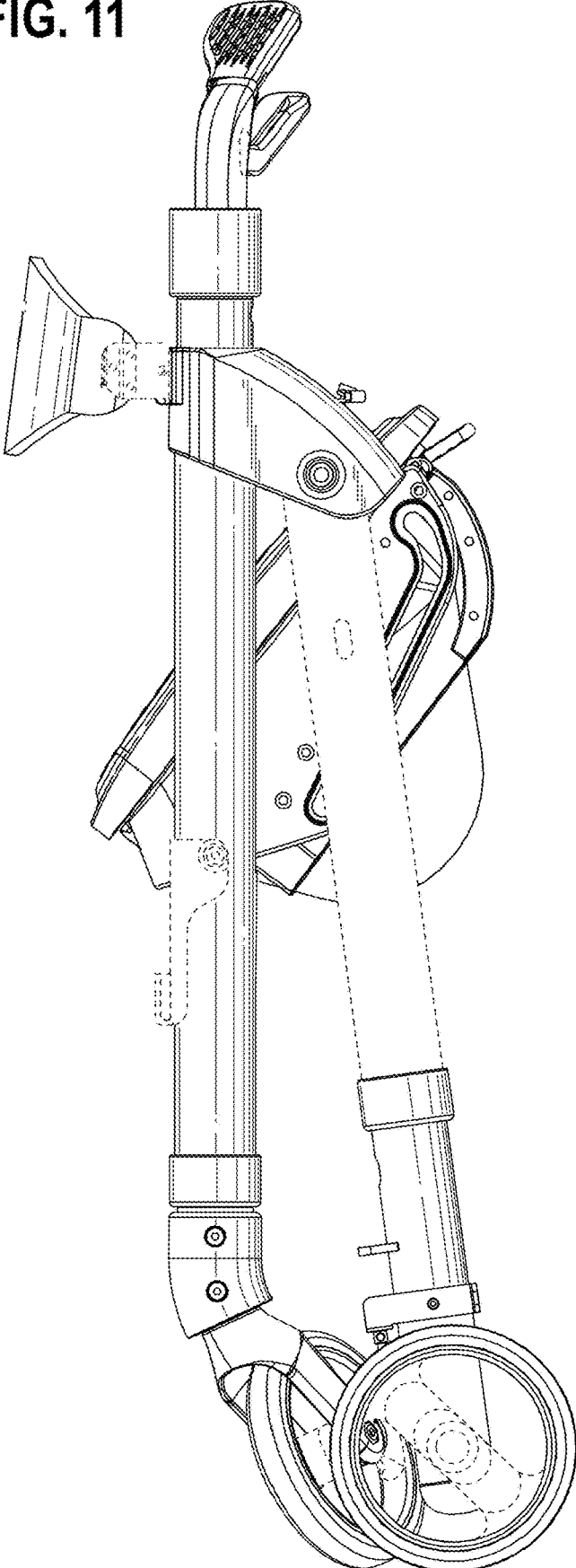


FIG. 12

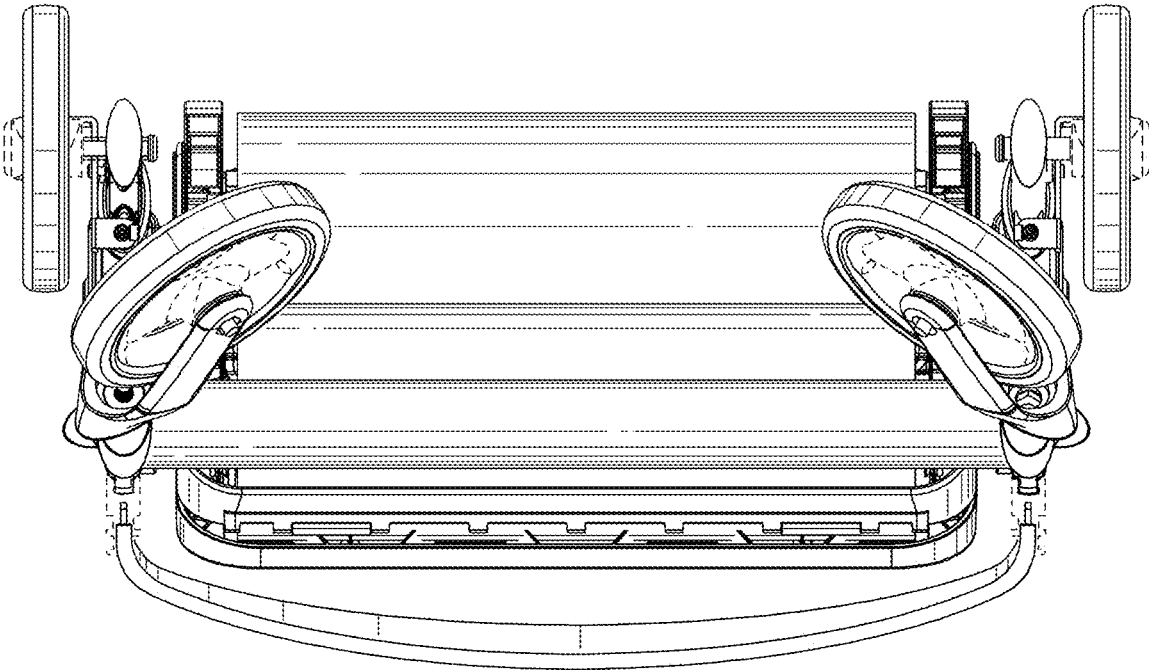


FIG. 13

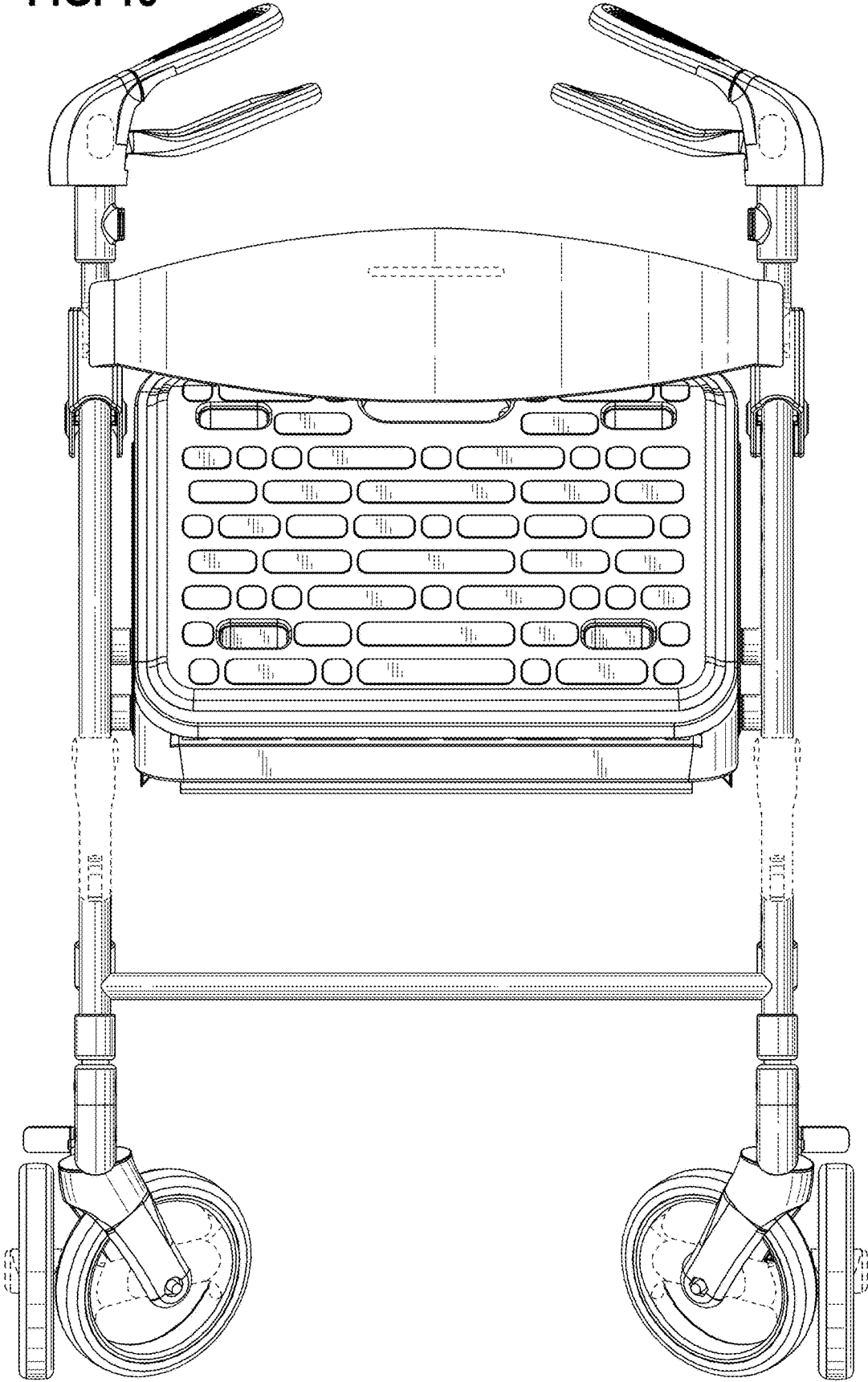


FIG. 14

