



US0D1016649S

(12) **United States Design Patent**
Saxena

(10) **Patent No.:** **US D1,016,649 S**

(45) **Date of Patent:** **** Mar. 5, 2024**

(54) **BRACELET**

(71) Applicant: **ORIENTAL GEMCO NY INC.**, New York, NY (US)

(72) Inventor: **Vivek Saxena**, New York, NY (US)

(73) Assignee: **ORIENTAL GEMCO NY INC.**, New York, NY (US)

(**) Term: **15 Years**

(21) Appl. No.: **29/709,381**

(22) Filed: **Oct. 14, 2019**

Related U.S. Application Data

(63) Continuation of application No. 29/695,763, filed on Jun. 21, 2019, now Pat. No. Des. 866,386.

(51) **LOC (14) Cl.** **11-01**

(52) **U.S. Cl.**
USPC **D11/4; D11/86**

(58) **Field of Classification Search**

USPC D11/1-25, 26-39, 91, 92
CPC A44C 7/00; A44C 7/002; A44C 7/003;
A44C 7/004; A44C 7/005; A44C 7/006;
A44C 7/007; A44C 7/008; A44C 7/009;
A44C 5/00; A44C 5/0007; A44C 5/0023;
(Continued)

(56) **References Cited**

U.S. PATENT DOCUMENTS

D111,135 S 9/1938 Ebbert
D243,411 S 2/1977 Johnson
(Continued)

FOREIGN PATENT DOCUMENTS

EM 0062585540001 2/2019
EM 0062585540002 2/2019
(Continued)

Primary Examiner — Melanie Pellegrini

(74) *Attorney, Agent, or Firm* — Hodgson Russ LLP

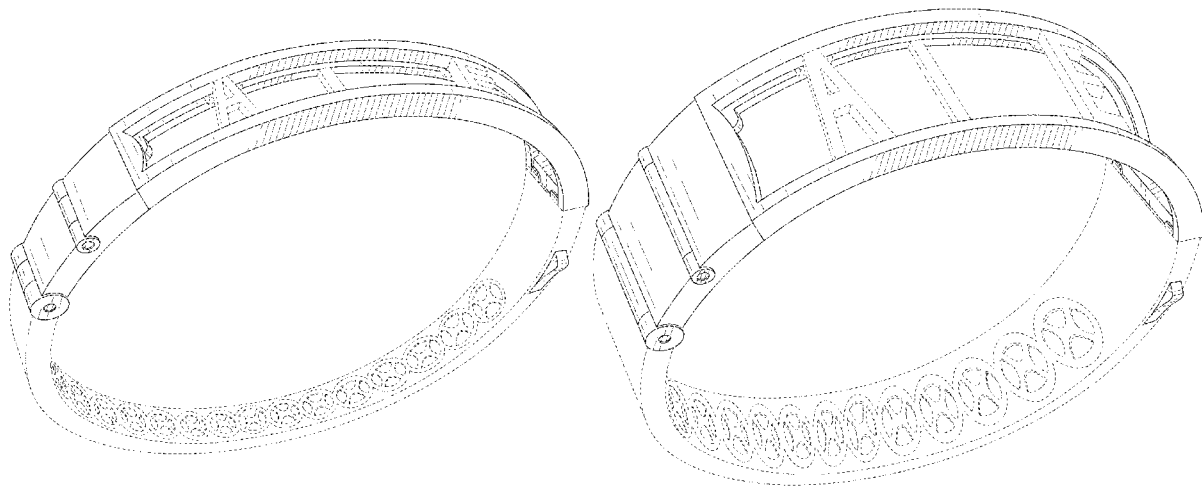
(57) **CLAIM**

The ornamental design for a bracelet, as shown and described.

DESCRIPTION

FIG. 1 is a front-top-left perspective view of a first embodiment of a bracelet, showing my new design; FIG. 2 is a front-bottom-left perspective view thereof; FIG. 3 is a front elevation view thereof; FIG. 4 is rear elevation view thereof; FIG. 5 is a left side elevation view thereof; FIG. 6 is a right side elevation view thereof; FIG. 7 is a top plan view thereof; FIG. 8 is a bottom plan view thereof; FIG. 9 is a front-top-left perspective view of a second embodiment of a bracelet, showing my new design; FIG. 10 is a front-bottom-left perspective view thereof; FIG. 11 is a front elevation view thereof; FIG. 12 is rear elevation view thereof; FIG. 13 is a left side elevation view thereof; FIG. 14 is a right side elevation view thereof; FIG. 15 is a top plan view thereof; FIG. 16 is a bottom plan view thereof; FIG. 17 is a front-top-left perspective view of a third embodiment of a bracelet, showing my new design; FIG. 18 is a front-bottom-left perspective view thereof; FIG. 19 is a front elevation view thereof; FIG. 20 is rear elevation view thereof; FIG. 21 is a left side elevation view thereof; FIG. 22 is a right side elevation view thereof; FIG. 23 is a top plan view thereof; and, FIG. 24 is a bottom plan view thereof. The evenly-spaced dashed lines in the figures illustrate portions of the bracelet that form no part of the claimed design. The long dash-short dash lines represent an unclaimed boundary of the claimed design.

1 Claim, 18 Drawing Sheets



(58) **Field of Classification Search**

CPC A44C 5/003; A44C 5/0038; A44C 5/0046;
 A44C 5/0053; A44C 5/0061; A44C
 5/0069; A44C 5/0076; A44C 5/0084;
 A44C 5/0092; A44C 1/00; A44C 3/00;
 A44C 3/001; A44C 9/00; A44C 9/0007;
 A44C 9/0015; A44C 9/0023; A44C
 9/003; A44C 9/0038; A44C 9/0046; A44C
 9/0061; A44C 9/0069; A44C 9/0076;
 A44C 9/0084; A44C 9/0092; A44C
 17/02; A44C 17/0208; A44C 17/0216;
 A44C 17/0225; A44C 17/0233; A44C
 17/0241; A44C 17/025; A44C 17/0258;
 A44C 17/0266; A44C 17/0275; A44C
 17/0283; A44C 17/0291; A44C 15/003

See application file for complete search history.

D724,472 S 3/2015 Blondet
 D725,534 S 3/2015 Ciprari
 D740,709 S 10/2015 Gatti
 D740,710 S 10/2015 Gatti
 9,149,095 B2 10/2015 Inglis
 D776,557 S 1/2017 Gusky
 D779,997 S 2/2017 King
 D782,356 S 3/2017 Talarico
 D786,116 S 5/2017 Thor
 D796,369 S 9/2017 Lambert
 D818,865 S 5/2018 Stepper
 D832,130 S 10/2018 Bostic
 D832,131 S 10/2018 Hu
 D837,676 S 1/2019 Gruosi-Scheufele
 D837,677 S 1/2019 Choi
 D849,583 S 5/2019 Desjardins
 D866,386 S * 11/2019 Saxena D11/86
 D896,678 S * 9/2020 Tysander A44C 5/00

(56) **References Cited**

U.S. PATENT DOCUMENTS

D247,482 S 3/1978 Schupp
 D255,668 S 7/1980 Sidders
 D382,222 S 8/1997 Coto
 D401,527 S 11/1998 Kelman
 D415,976 S 11/1999 Be
 D429,657 S 8/2000 Baghdassarian
 6,260,383 B1 7/2001 Warren
 D470,429 S 2/2003 Bonnet
 D503,902 S 4/2005 Shelton
 D506,944 S * 7/2005 Jackson D11/26
 D515,450 S 2/2006 Schiesl-Griesinger
 D550,580 S 9/2007 Saxon
 D559,724 S 1/2008 Dabbs
 D562,173 S 2/2008 Hardy
 D605,544 S 12/2009 Morelli
 D617,231 S 6/2010 Adamson
 D619,026 S 7/2010 Papadimitriou
 D649,080 S 11/2011 Neary
 D658,085 S 4/2012 Rafaelian
 D706,665 S 6/2014 Goldwitz
 D710,738 S 8/2014 Kim
 D721,609 S 1/2015 Duddy

D903,522 S * 12/2020 Silvestri D11/26
 D906,155 S * 12/2020 Freiberg D11/26
 D934,106 S * 10/2021 de Laage D11/26
 11,439,211 B2 * 9/2022 Barros A44C 5/12
 D993,067 S * 7/2023 Amfitheatrof D11/4
 2014/0174124 A1 6/2014 Duggal
 2015/0359304 A1 12/2015 Thomas
 2016/0051016 A1 2/2016 Harris
 2016/0345689 A1 12/2016 Clark
 2018/0271230 A1 9/2018 Fahy
 2022/0232932 A1 * 7/2022 Johnston A44C 5/12

FOREIGN PATENT DOCUMENTS

EM 0062585540003 2/2019
 EM 0062585540004 2/2019
 EM 0062585540005 2/2019
 EM 0062585540006 2/2019
 EM 0062585540007 2/2019
 EM 0062585540008 2/2019
 EM 0062585540009 2/2019
 EM 0062585540010 2/2019
 EM 0062585540011 2/2019
 EM 0062585540012 2/2019

* cited by examiner

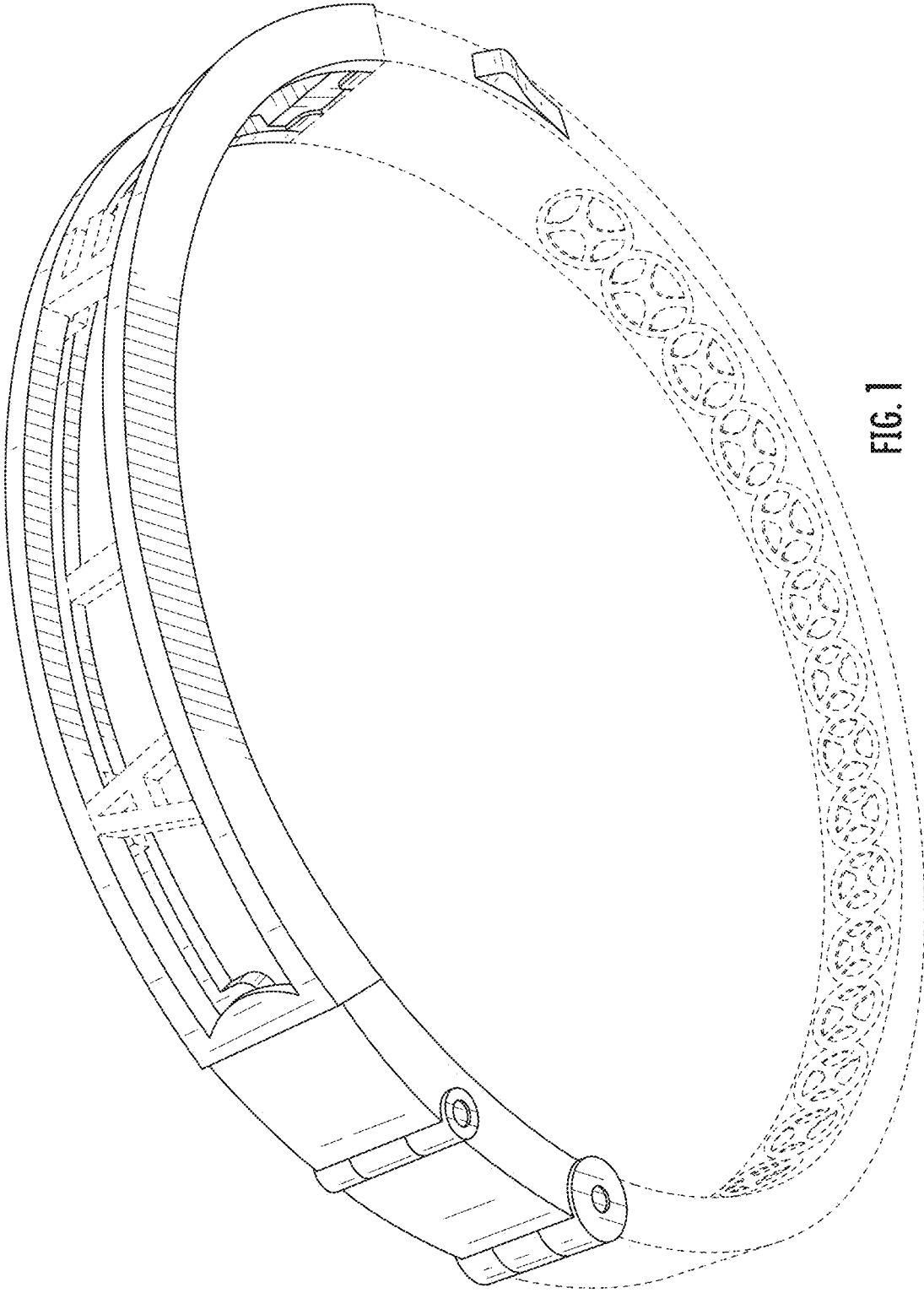


FIG. 1

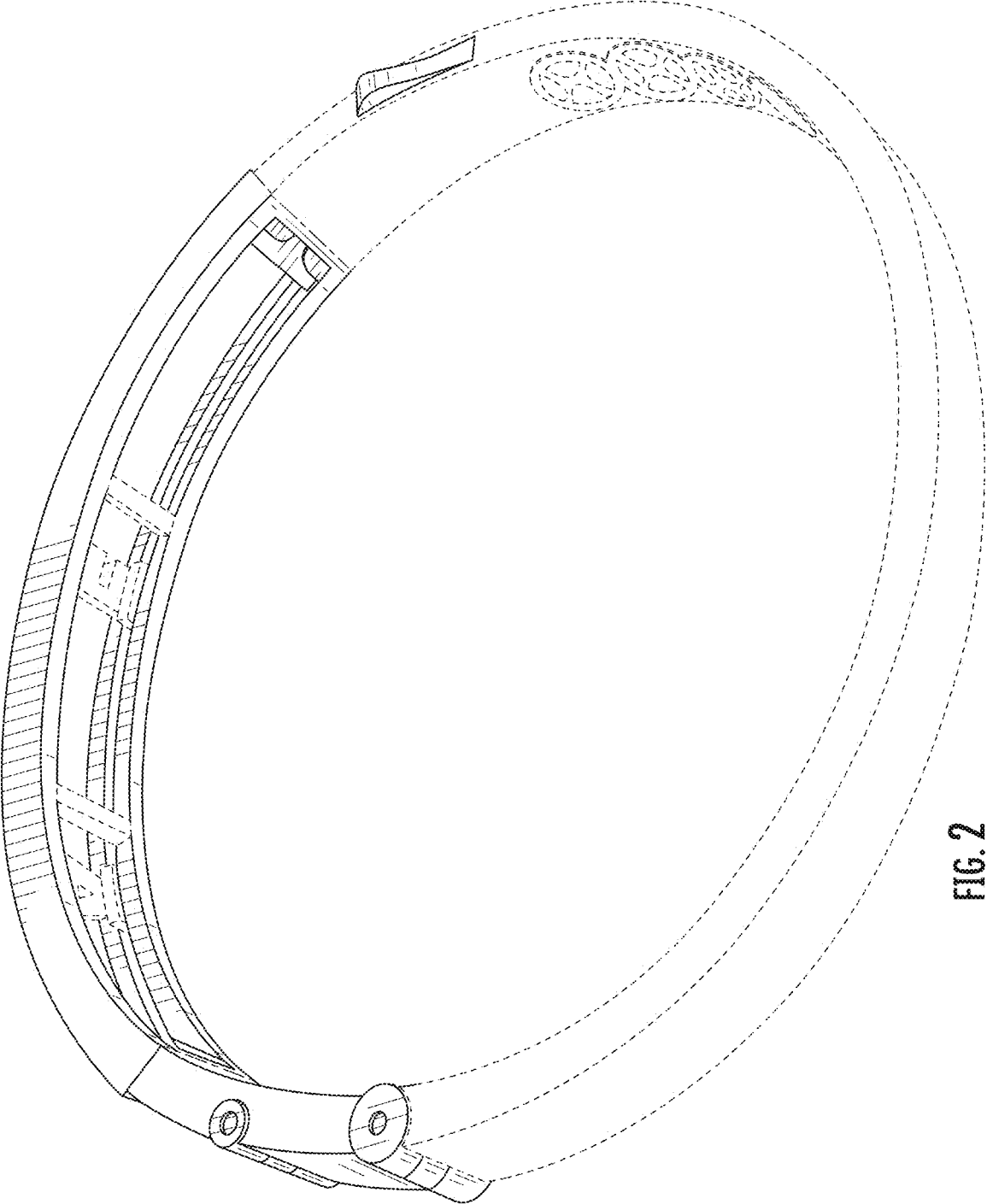


FIG. 2

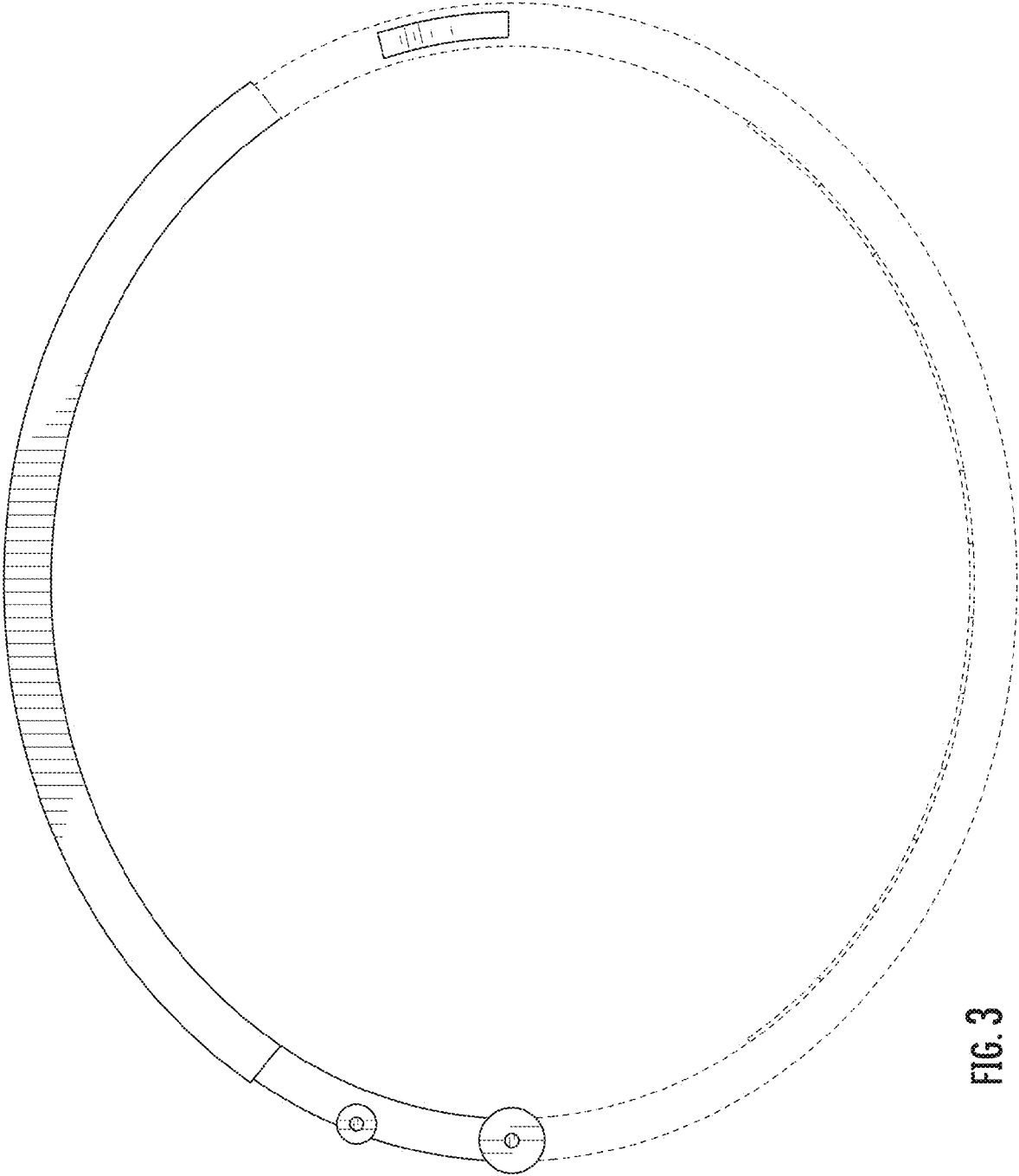


FIG. 3

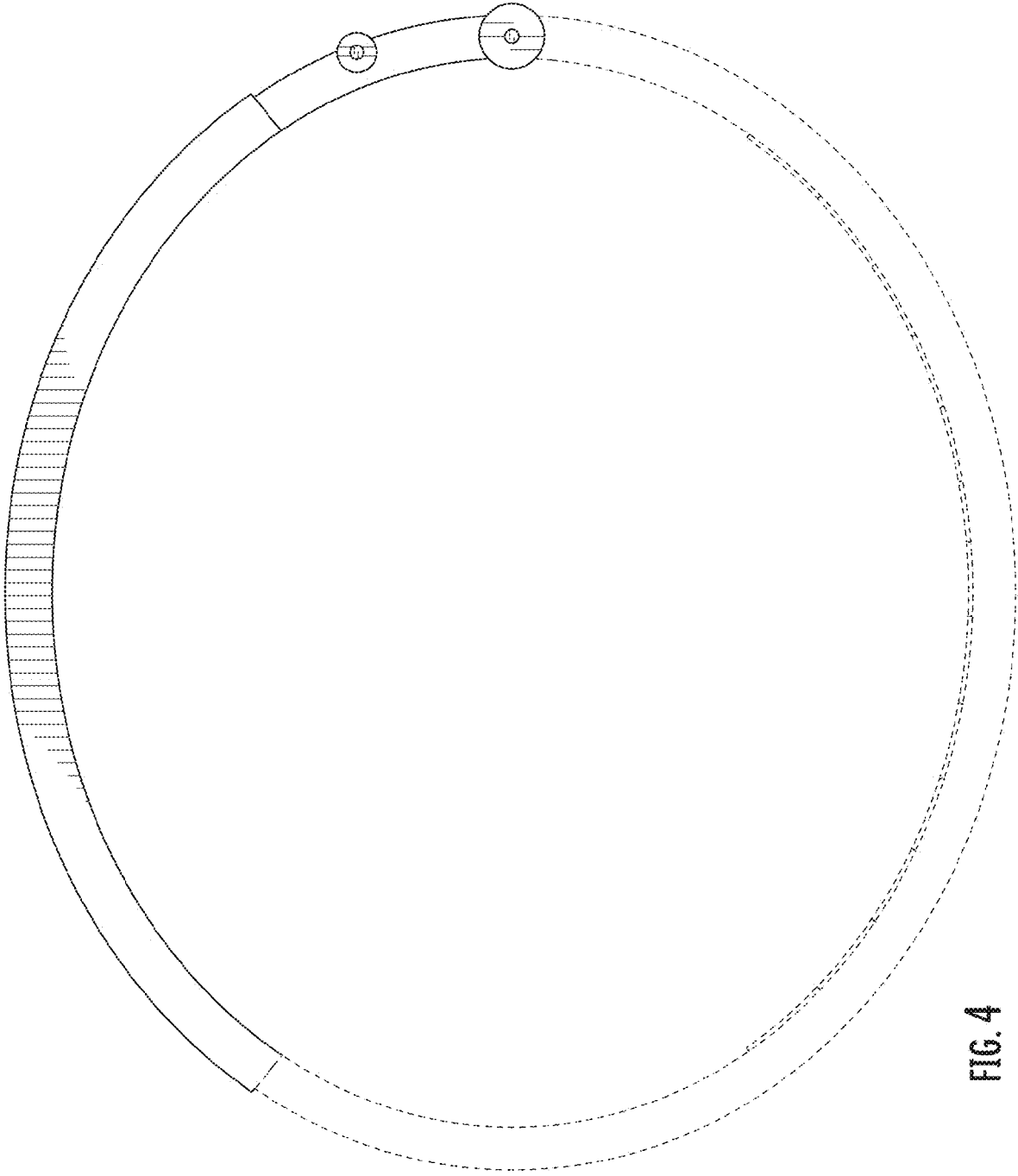


FIG. 4

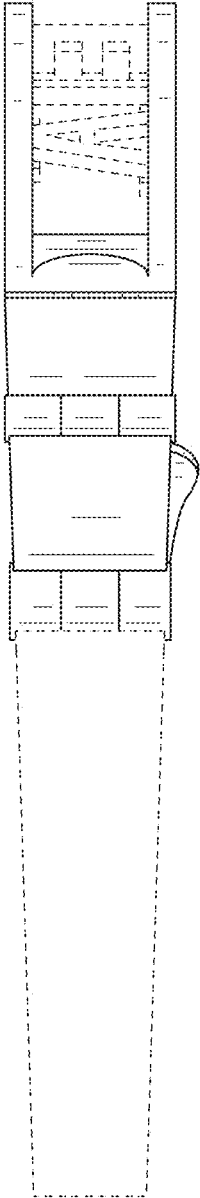


FIG. 5

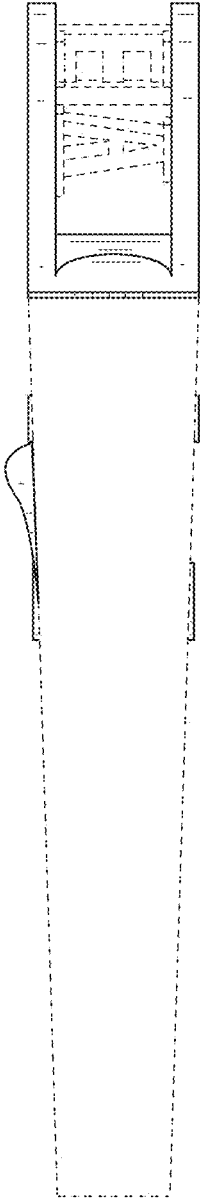


FIG. 6

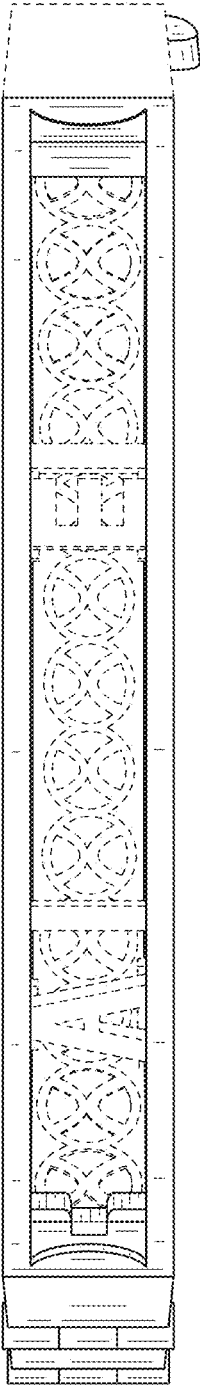


FIG. 7

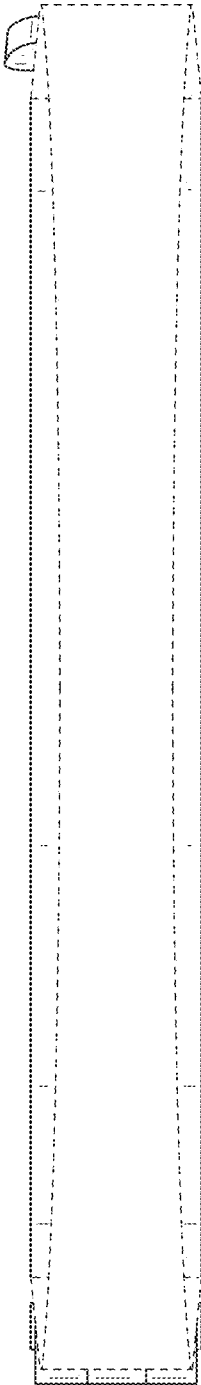


FIG. 8

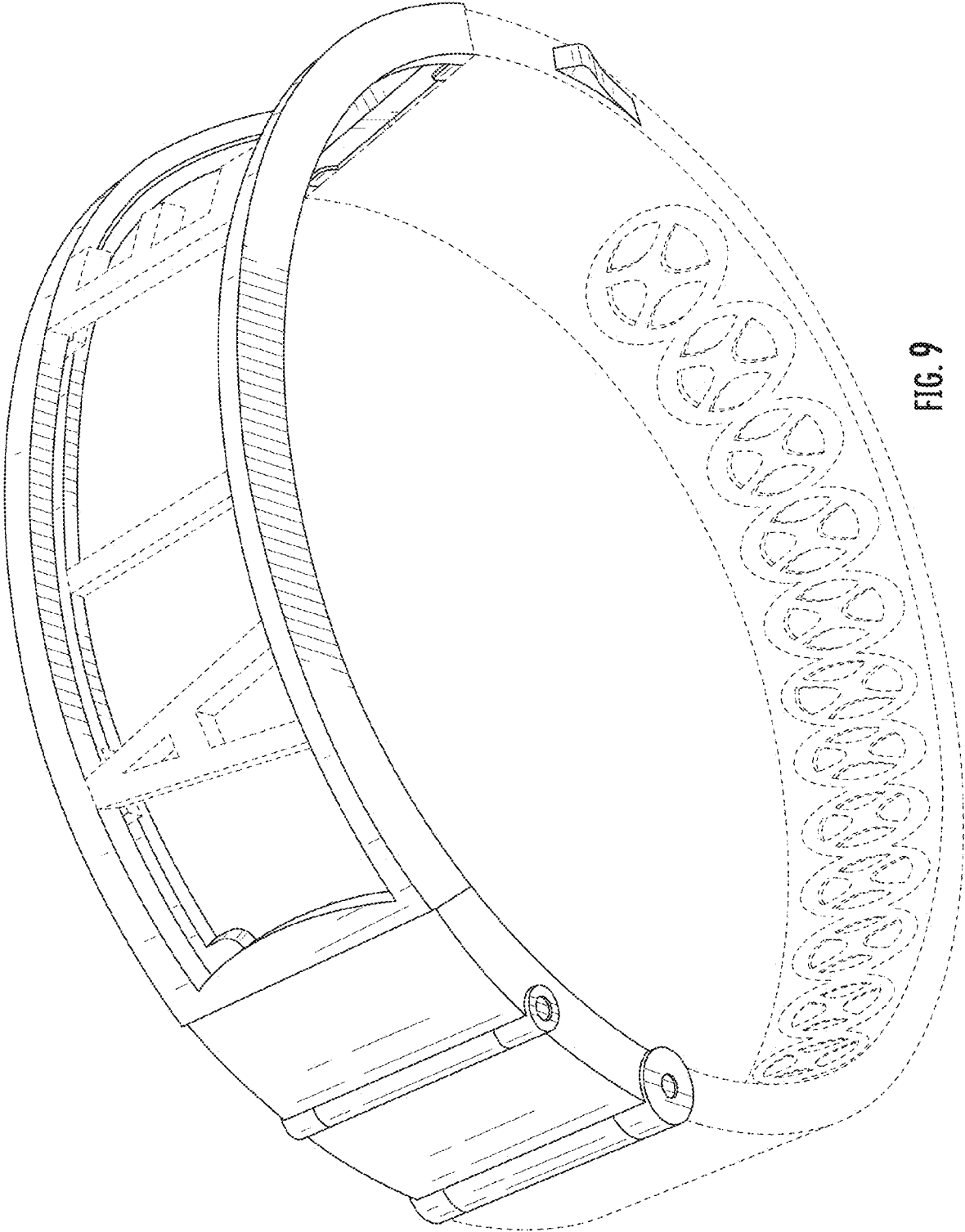


FIG. 9

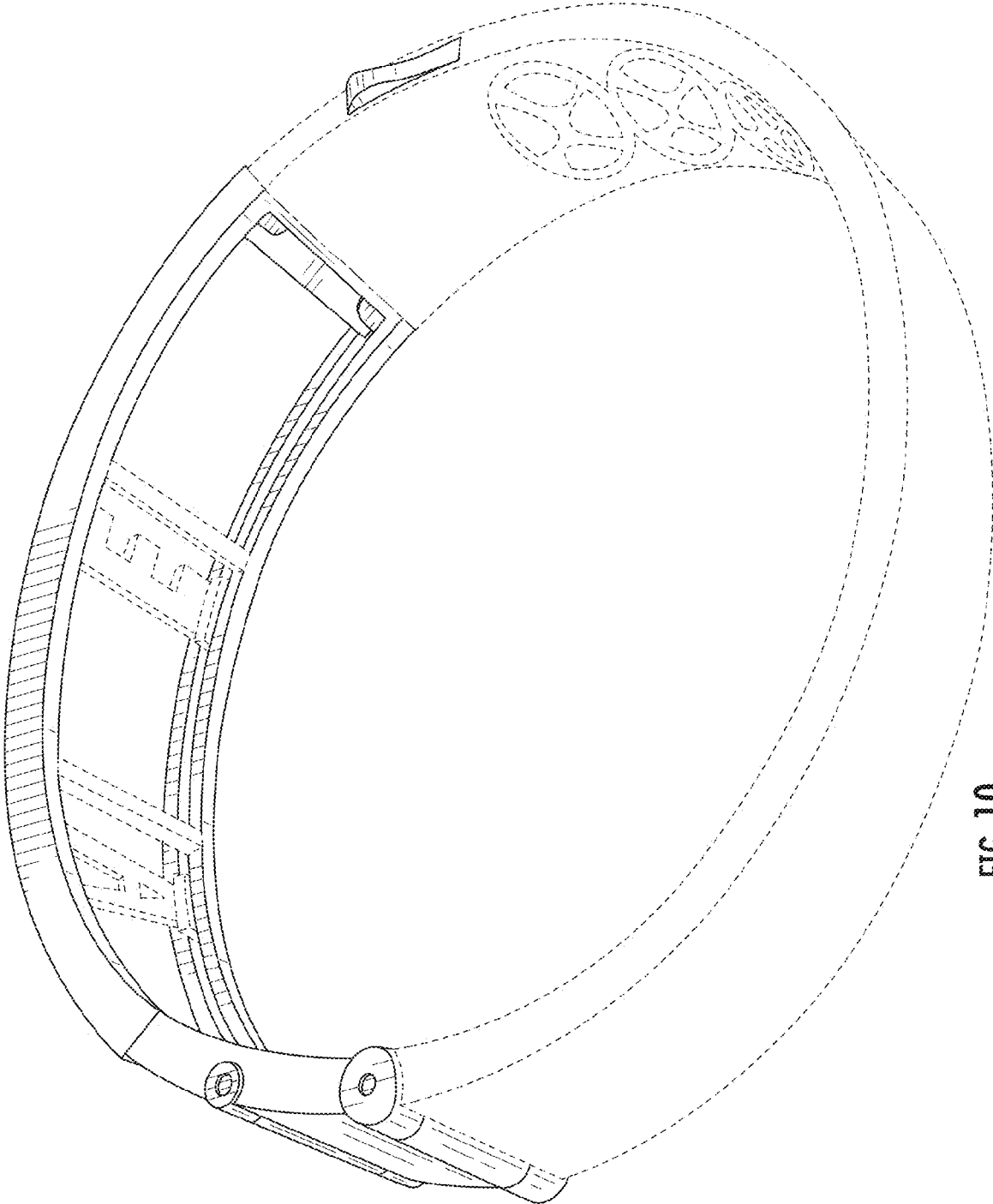


FIG. 10

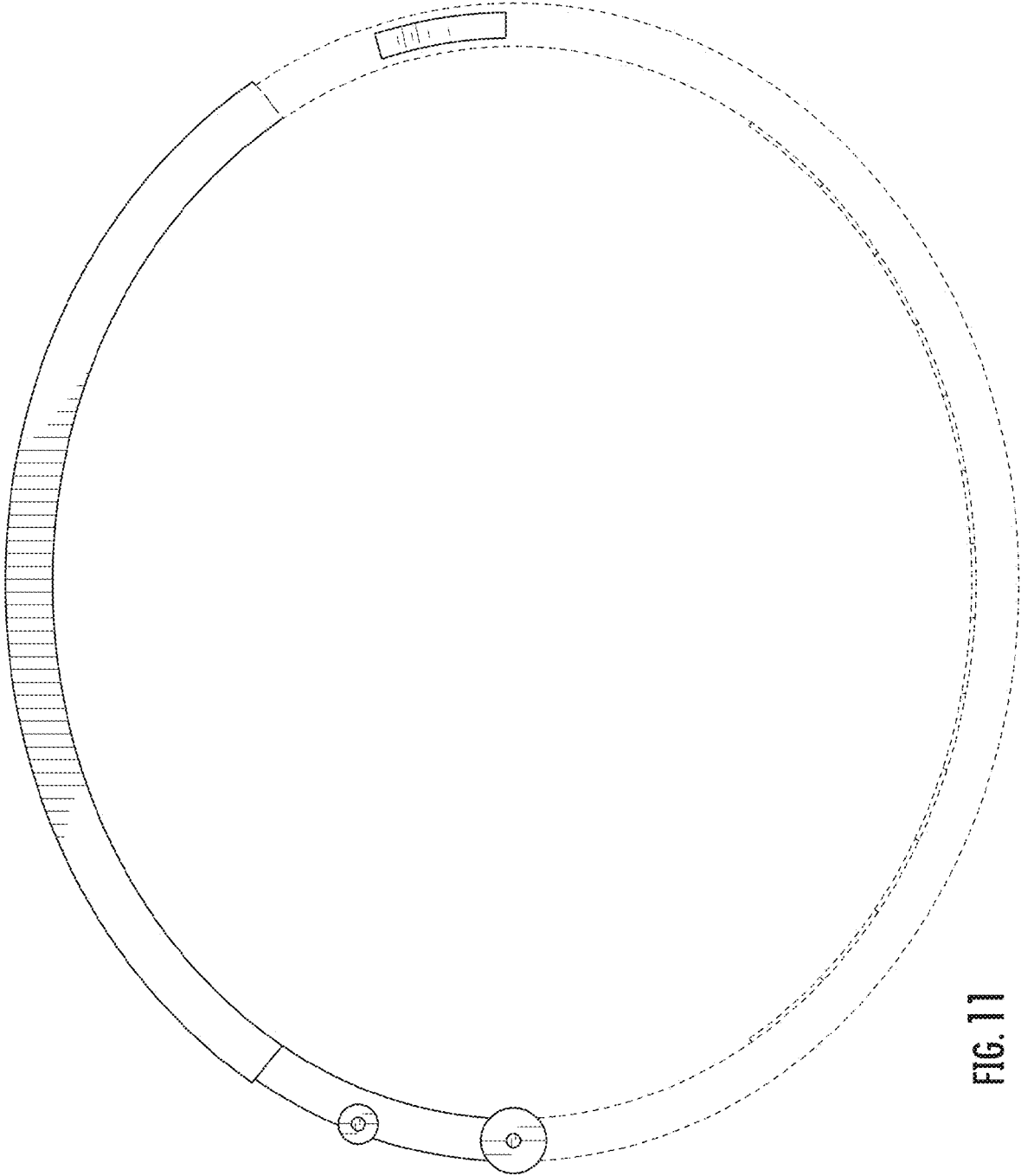


FIG. 11

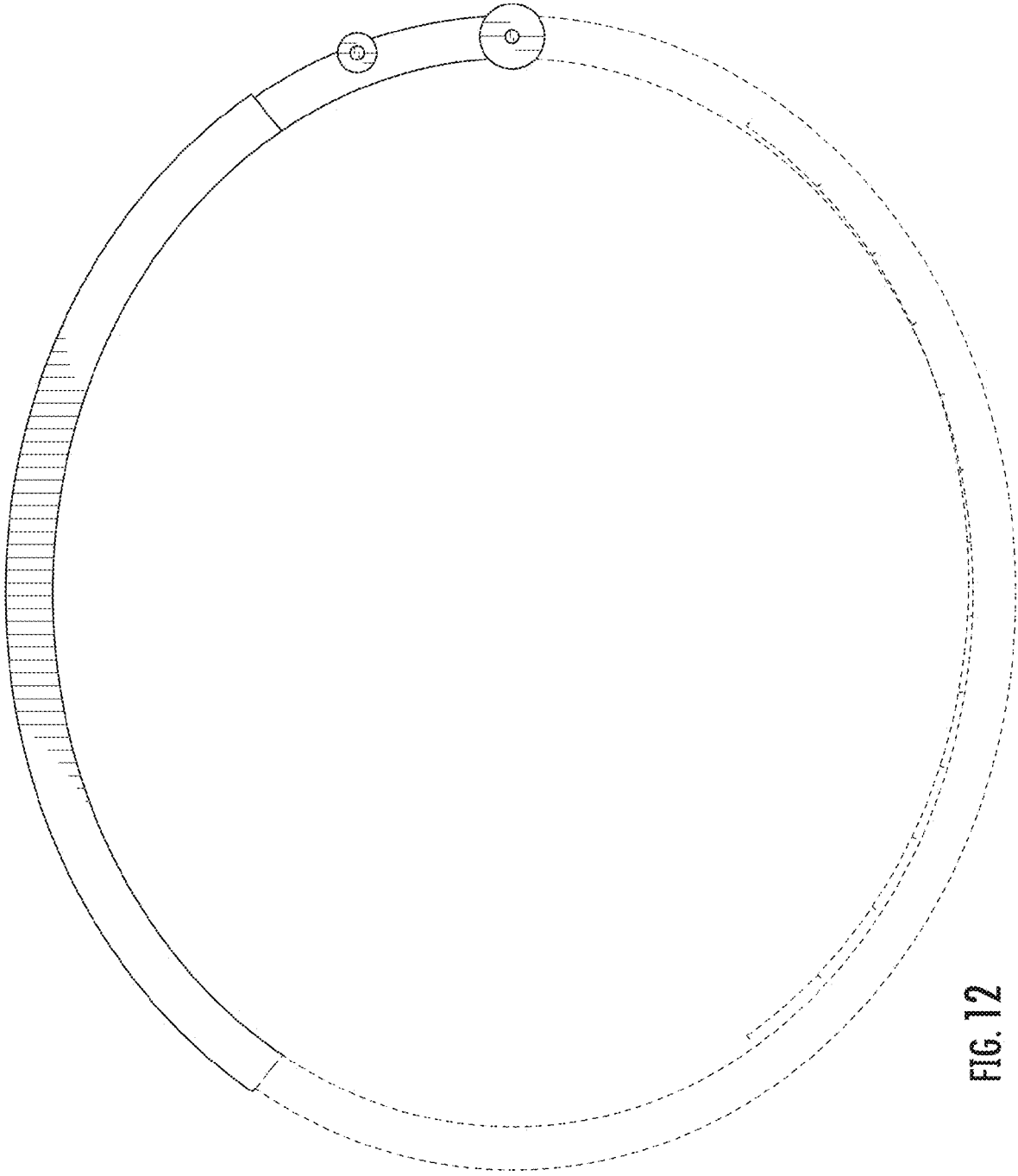


FIG. 12

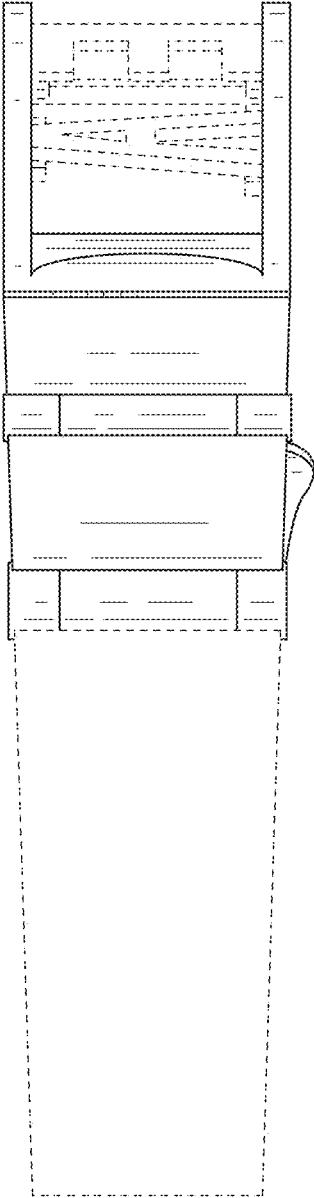


FIG. 13

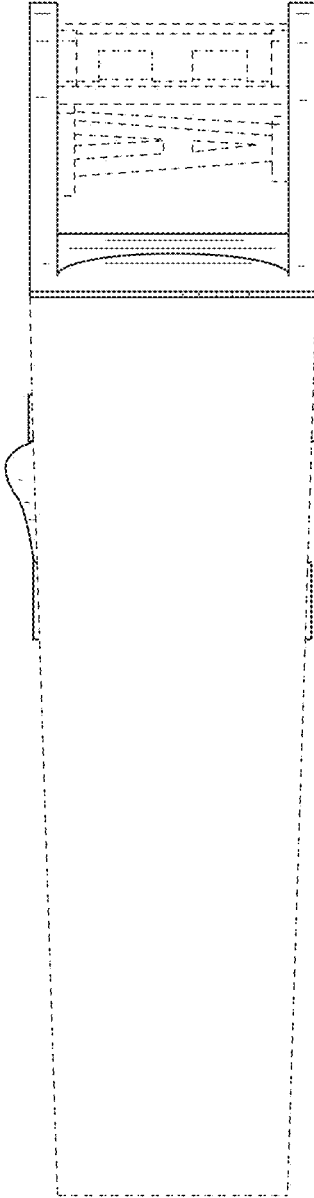


FIG. 14

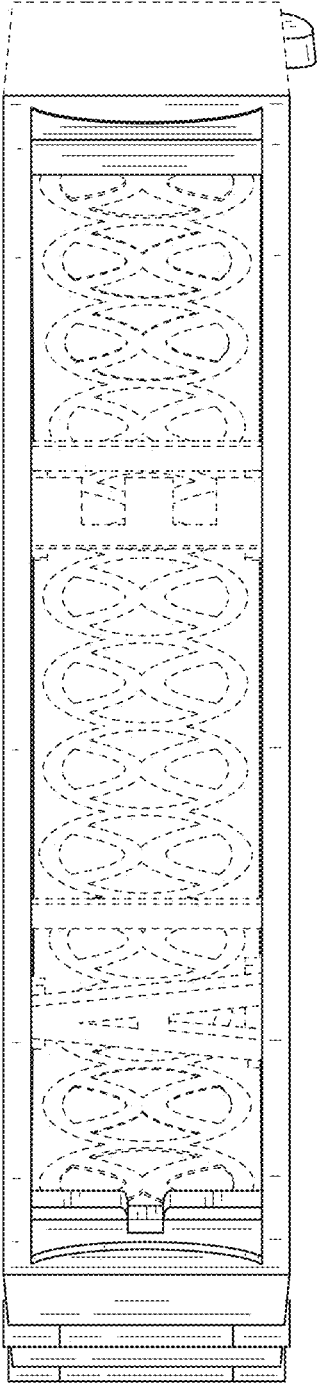


FIG. 15

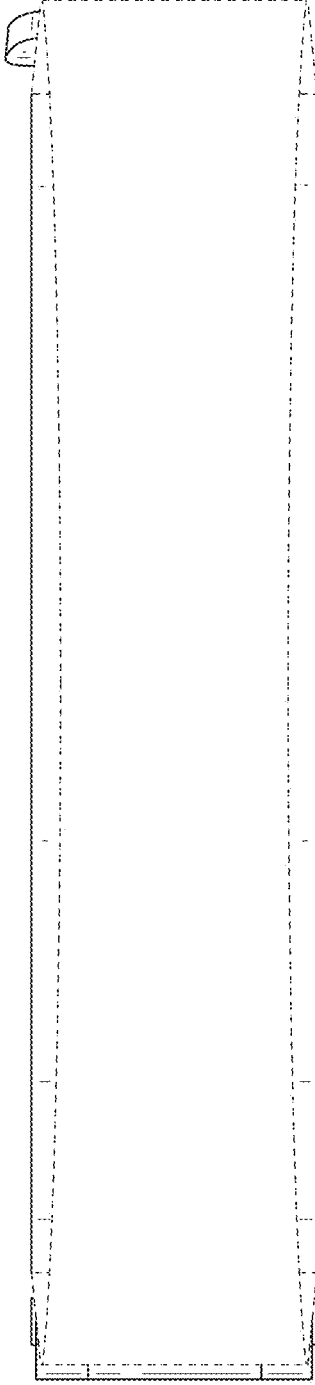


FIG. 16

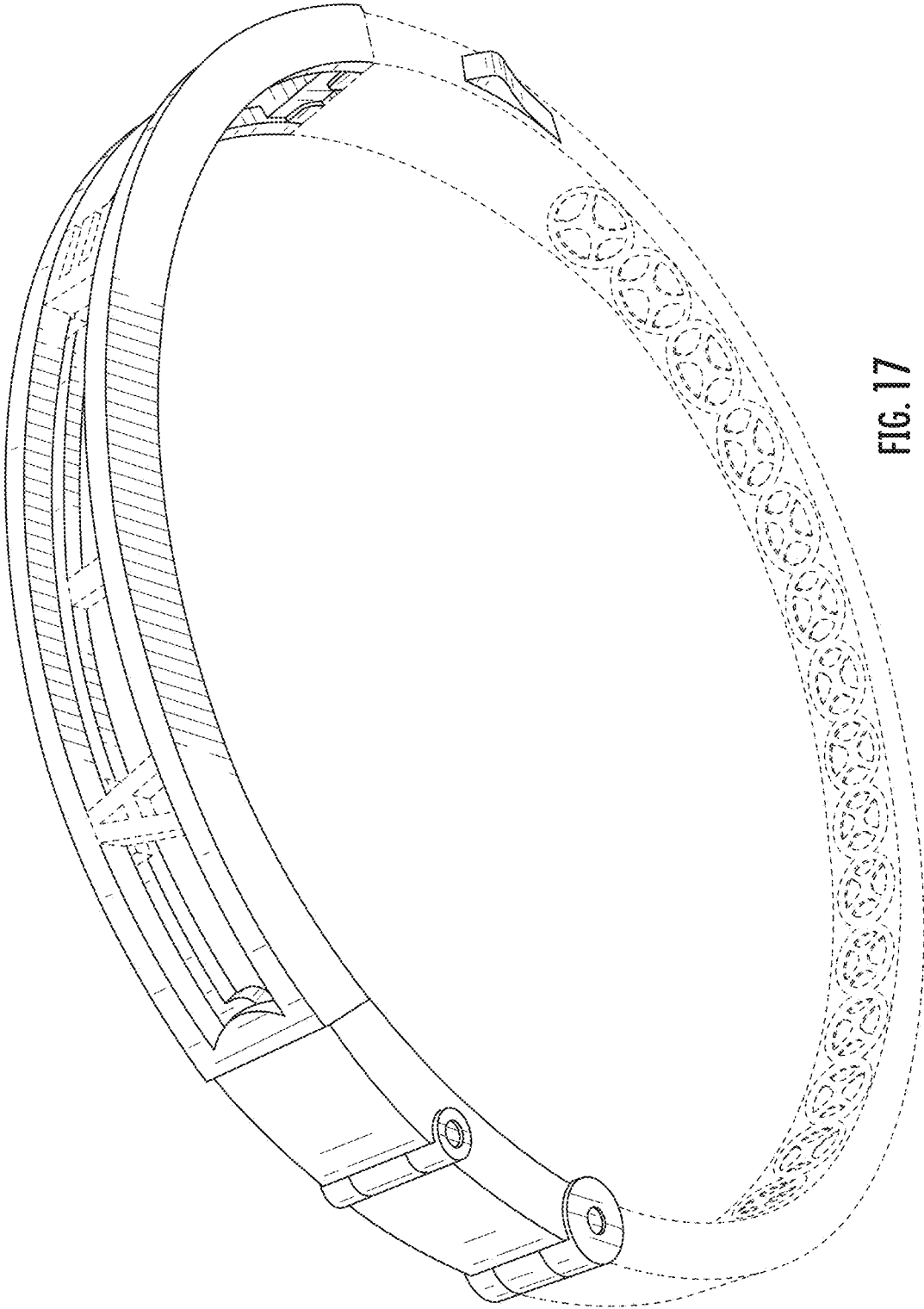


FIG. 17

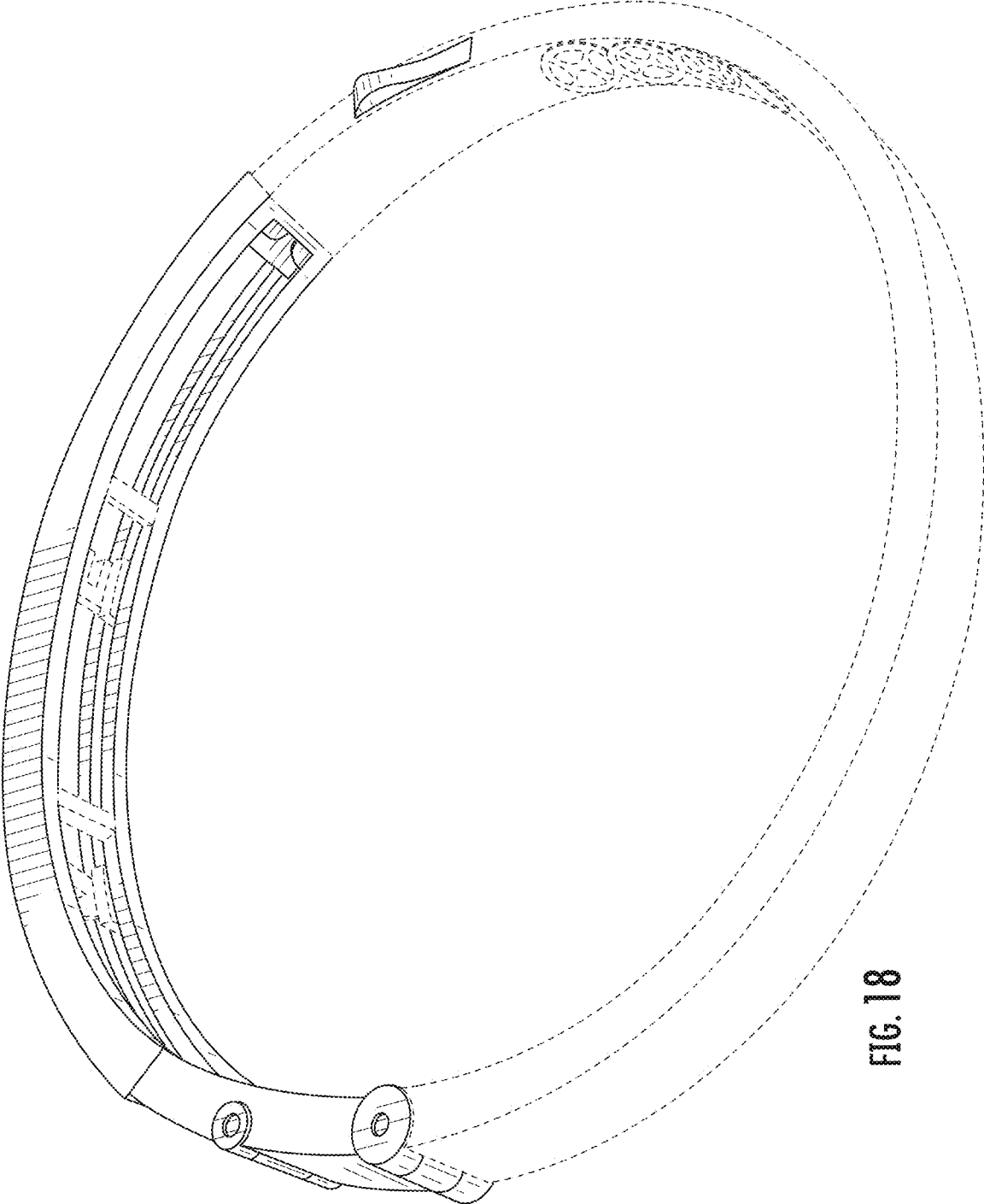


FIG. 18

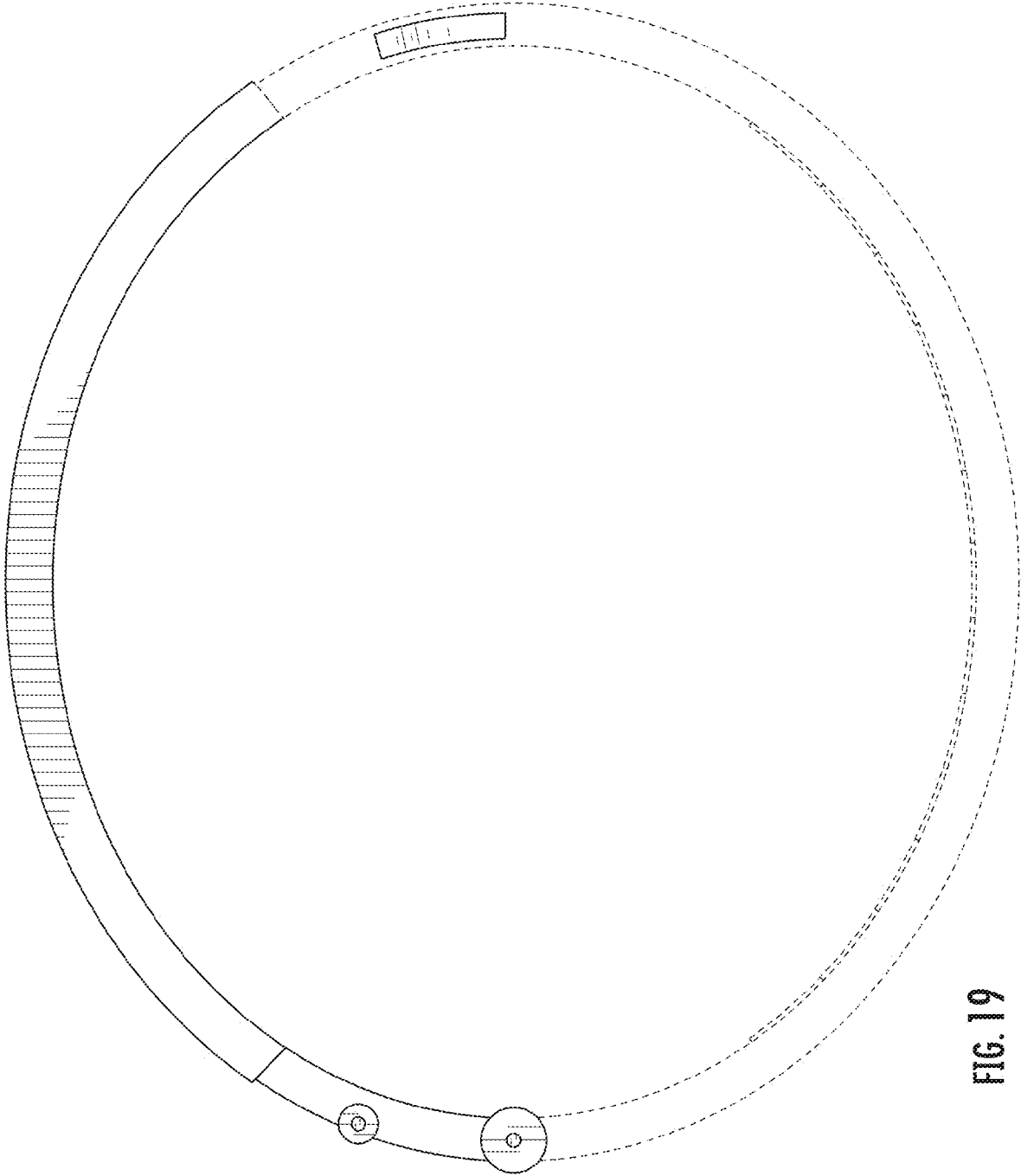


FIG. 19

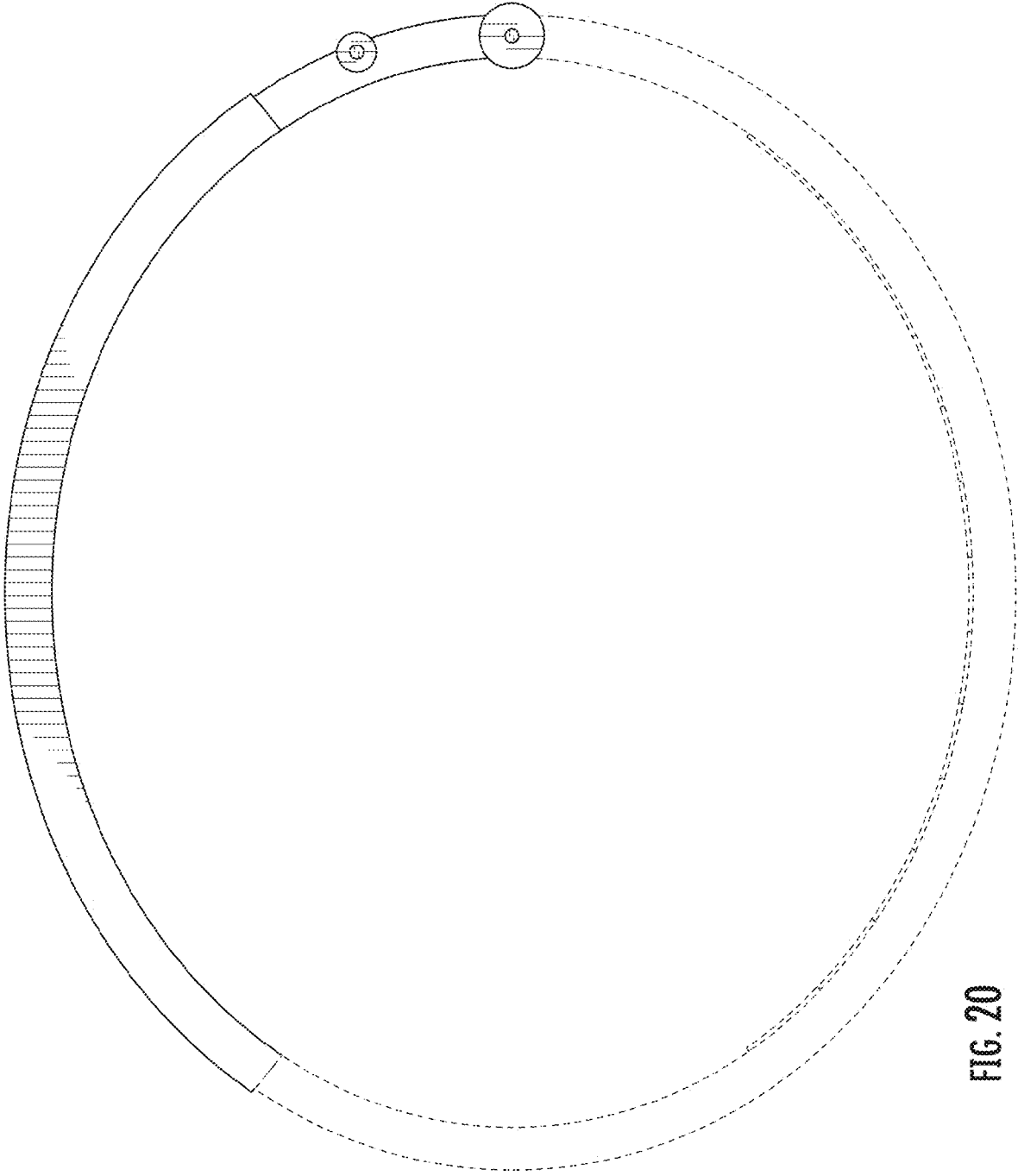


FIG. 20

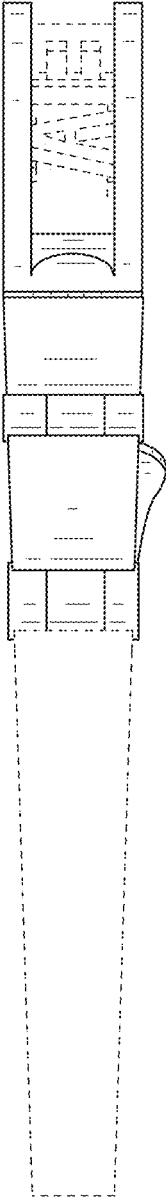


FIG. 21

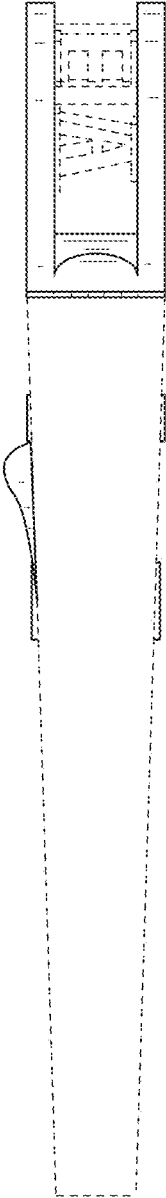


FIG. 22

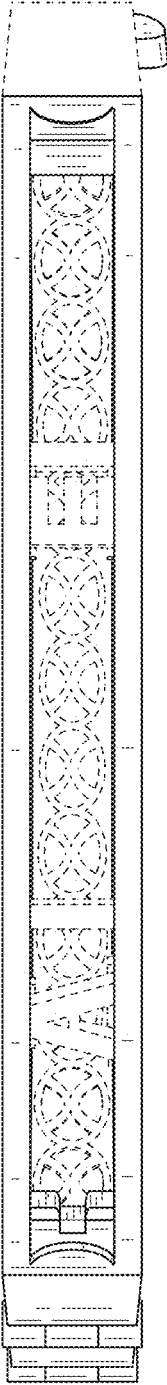


FIG. 23

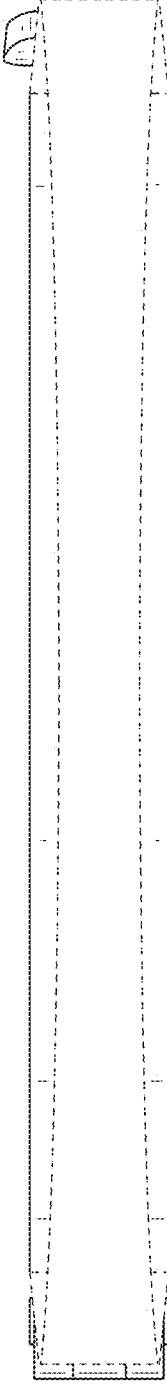


FIG. 24