



US00D507893S

(12) **United States Design Patent** (10) **Patent No.:** **US D507,893 S**  
**Glass et al.** (45) **Date of Patent:** **\*\* \*Aug. 2, 2005**

(54) **STOOL**  
(75) Inventors: **Peter R. Glass**, Arroyo Grande, CA (US); **Robert J. Mills**, Torrance, CA (US)  
(73) Assignee: **Virco Mgmt. Corporation**, Torrance, CA (US)  
(\* ) Notice: This patent is subject to a terminal disclaimer.  
(\*\* ) Term: **14 Years**

D202,426 S 9/1965 Jakobsen  
D203,437 S 1/1966 Melchior  
D206,118 S 11/1966 Bates  
D206,323 S 11/1966 Kasparian  
D206,713 S 1/1967 Durko  
D207,708 S 5/1967 Michals  
D213,683 S 4/1969 Leistikow  
D215,428 S 9/1969 Tapert  
D215,429 S 9/1969 Sickler  
D220,388 S \* 4/1971 Kramer ..... D6/366

(Continued)

(21) Appl. No.: **29/212,070**  
(22) Filed: **Aug. 26, 2004**  
(51) **LOC (8) Cl.** ..... **06-01**  
(52) **U.S. Cl.** ..... **D6/360; D6/375**  
(58) **Field of Search** ..... **D6/334, 360, 374, D6/375, 364-367, 500-502; 297/411.2, 445.1, 423.38, 344.12**

**OTHER PUBLICATIONS**

Virco IQ Lab Stool, p. 1, model No. 466017GCLS, Jun. 2003.  
Arco-Bell Corporation Furniture to Enhance Education catalog, p. 33 model Nos. 0801, 0802, 0804, 0805, and 7990, undated.  
CDF School Furniture catalog, single sheet, model No. 7000, undated.  
Royal Seating, Ltd. Total Furniture Solutions catalog, p. 14, model Nos. 1500, 1551, 1518, 3551, 3616, and 4551, undated.  
Scholar Craft School Furniture catalog, p. 30, model Nos. 110 and 300, undated.

(56) **References Cited**

**U.S. PATENT DOCUMENTS**

D23,424 S 7/1894 Waldvogel  
D55,927 S 8/1920 Allen  
D56,169 S 8/1920 Jones et al.  
D59,222 S 10/1921 Headley  
D59,223 S 10/1921 Headley  
D77,756 S 2/1929 Dyer  
D78,737 S 6/1929 Ekvall  
D86,879 S 5/1932 Easterday  
D105,668 S 8/1937 Michelson  
D114,435 S 4/1939 Berna  
D133,261 S 8/1942 Thelander  
D137,904 S 5/1944 Dieter  
D157,478 S 2/1950 Farkas, Jr.  
D160,105 S 9/1950 Michelson  
D162,854 S 4/1951 Lumley  
D171,652 S 3/1954 Keady  
D174,695 S 5/1955 Kipp  
D176,880 S 2/1956 Phillips  
D179,593 S 1/1957 Cramer  
D182,213 S 2/1958 Wiederhold

*Primary Examiner*—Mimosa De  
(74) *Attorney, Agent, or Firm*—Robert M. Hupe; Virco Mgmt. Corporation

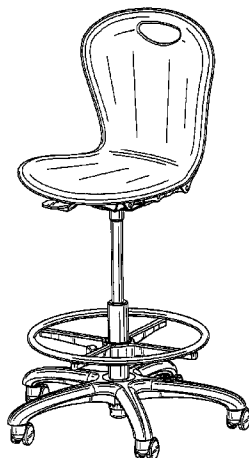
(57) **CLAIM**

The ornamental design for a “stool,” as shown.

**DESCRIPTION**

FIG. 1 is a perspective view of a stool showing my new design;  
FIG. 2 is a front elevational view thereof;  
FIG. 3 is a left side view thereof;  
FIG. 4 is a right side view thereof;  
FIG. 5 a bottom view thereof;  
FIG. 6 is a top view thereof; and,  
FIG. 7 is a back elevational view thereof.

**1 Claim, 4 Drawing Sheets**



# US D507,893 S

Page 2

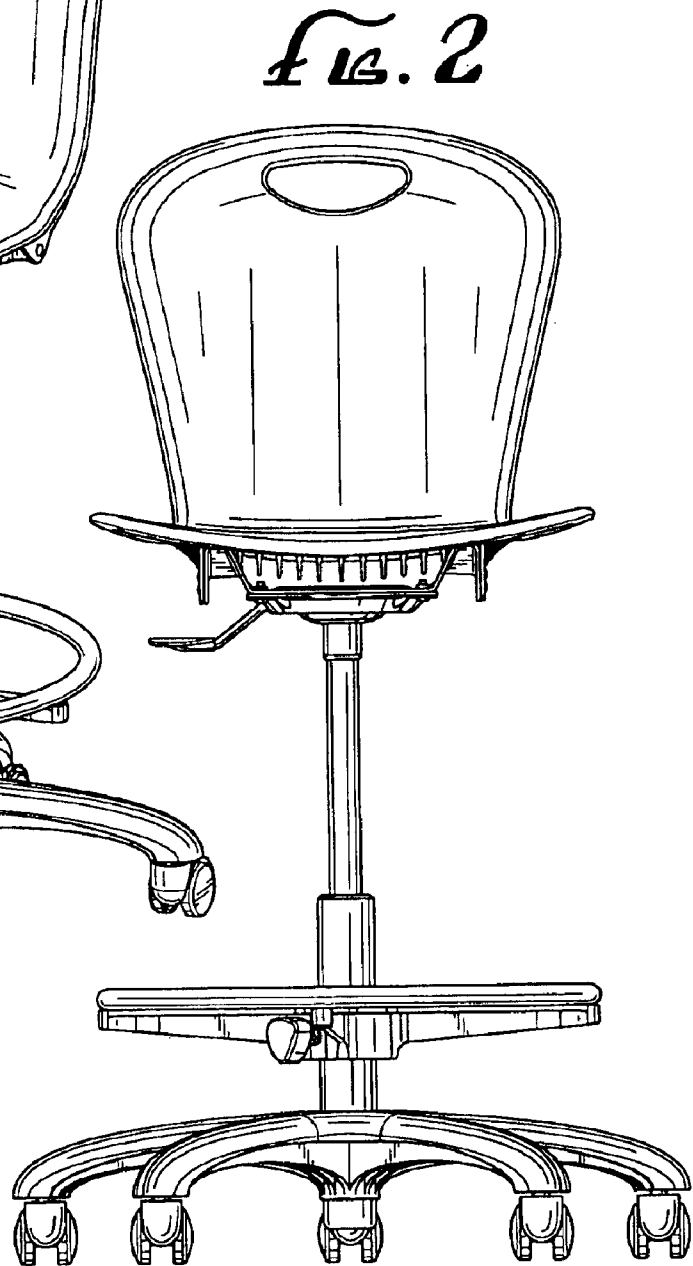
## U.S. PATENT DOCUMENTS

D230,668 S	3/1974	Johnson	
D232,879 S	9/1974	Samhammer	
D232,880 S	9/1974	Samhammer	
D233,713 S	11/1974	Ruoslahti et al.	
D233,714 S	11/1974	Everard et al.	
D234,101 S	1/1975	Salmon et al.	
D237,846 S	12/1975	Zeischegg	
D257,473 S	11/1980	Wilson	
D261,078 S	10/1981	Wilson	
D263,775 S	4/1982	Hopper	
D274,865 S	* 7/1984	Murry .....	D6/360
D274,958 S	8/1984	Aronowitz et al.	
D275,054 S	* 8/1984	Aronowitz et al. ....	D6/360
D275,242 S	8/1984	Stephens	
D283,762 S	* 5/1986	Caruso .....	D6/360
D293,743 S	1/1988	Hoyt	
D296,623 S	7/1988	Chadwick et al.	
D309,381 S	7/1990	Buhk	
D309,382 S	7/1990	Buhk	
4,995,671 A	2/1991	Gabourie et al.	
D326,372 S	* 5/1992	Edwards .....	D6/360
D332,011 S	12/1992	Fahnstrom et al.	
D335,398 S	5/1993	Heidmann	
D346,911 S	* 5/1994	Lucci et al. ....	D6/374
D357,148 S	4/1995	Altis, Sr. et al.	
D357,592 S	4/1995	Kellen	
D368,379 S	4/1996	Muller	
D376,924 S	12/1996	Beaulieu	
D377,726 S	2/1997	Steinfeld	
D378,714 S	* 4/1997	Beaulieu .....	D6/366
D393,968 S	5/1998	Penning et al.	
D395,962 S	* 7/1998	Buffon .....	D6/366
D400,721 S	11/1998	Baeriswyl et al.	
D406,198 S	3/1999	Lin et al.	
D406,470 S	3/1999	Lin	
D408,646 S	4/1999	Lin et al.	
D409,407 S	* 5/1999	Wang .....	D6/375
5,988,754 A	11/1999	Lamart et al.	
D420,821 S	2/2000	Barile et al.	
6,053,577 A	4/2000	Arko et al.	
D431,380 S	10/2000	Hutton	
D433,829 S	11/2000	Barile et al.	
D433,830 S	11/2000	Barile et al.	
D460,281 S	7/2002	Shields et al.	
D468,918 S	1/2003	de Blois	
D470,320 S	* 2/2003	Schloss .....	D6/375
D473,407 S	* 4/2003	Ross .....	D6/500
D474,039 S	5/2003	Zemp	
D485,447 S	1/2004	Stanton	
D488,630 S	4/2004	McCann	

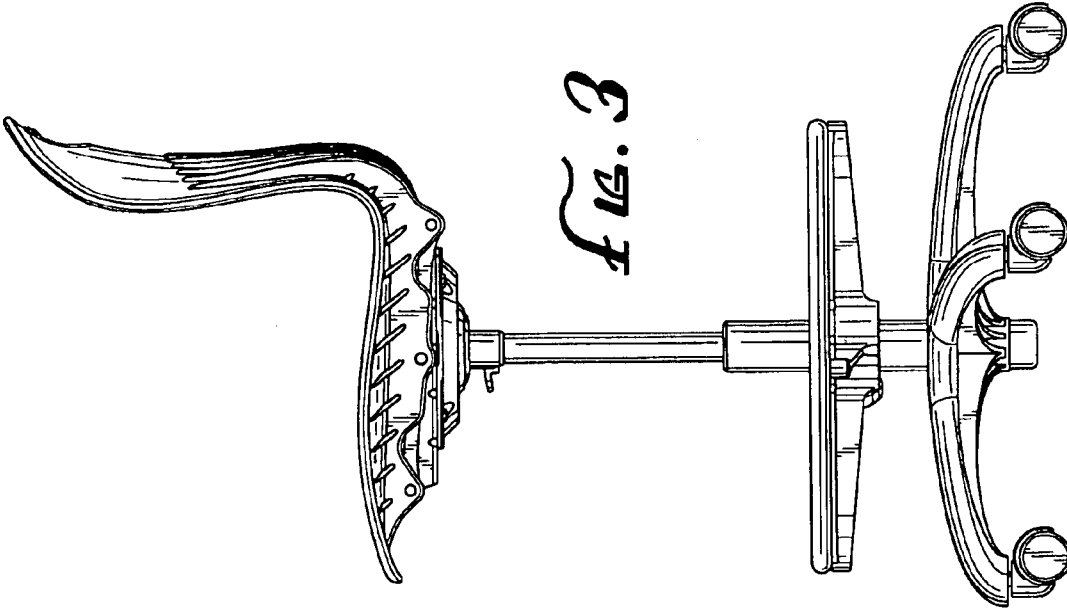
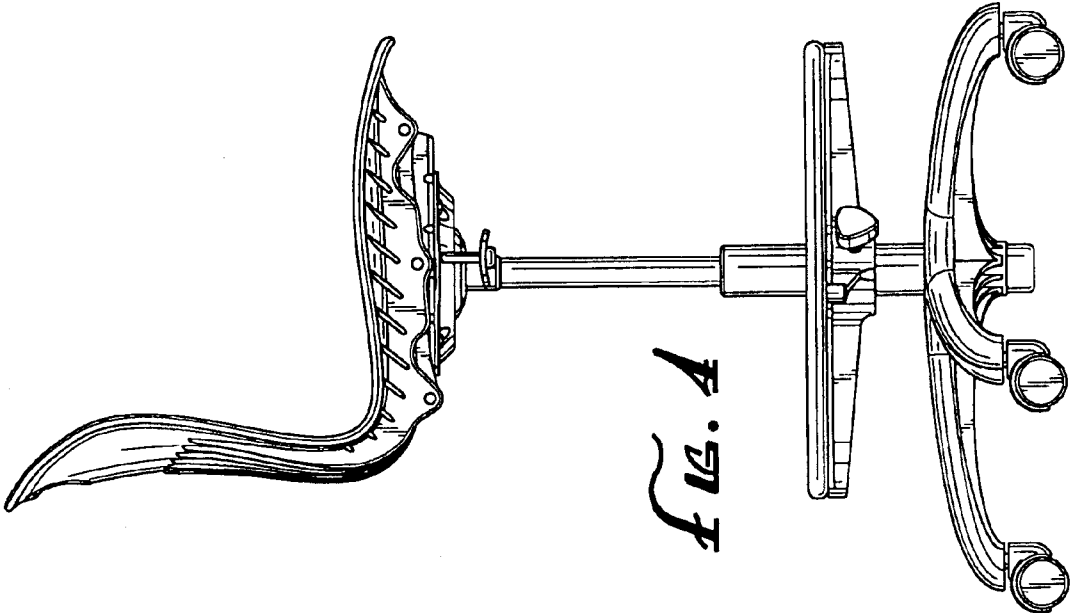
\* cited by examiner



*FIG. 1*



*FIG. 2*



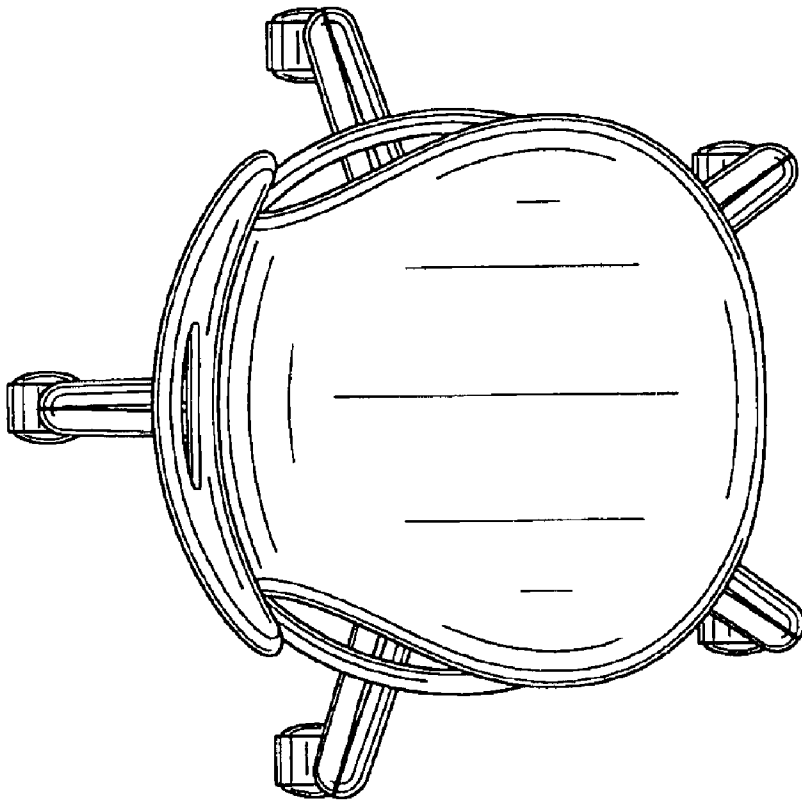


Fig. 1

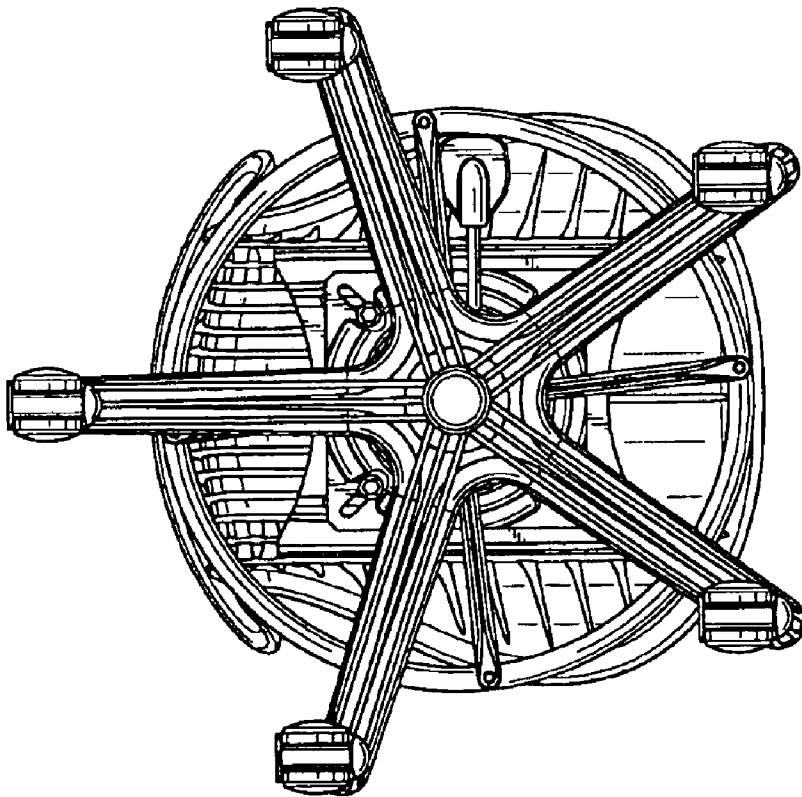


Fig. 2

