



US00D719914S

(12) **United States Design Patent**
Wu

(10) **Patent No.:** **US D719,914 S**

(45) **Date of Patent:** **** Dec. 23, 2014**

(54) **PLUG CONNECTOR**

(71) Applicant: **Well Shin Technology Co., Ltd.**, Taipei
(TW)

(72) Inventor: **Jui-Hsiung Wu**, Taipei (TW)

(73) Assignee: **Well Shin Technology Co., Ltd.**, Taipei
(TW)

(**) Term: **14 Years**

(21) Appl. No.: **29/452,095**

(22) Filed: **Apr. 11, 2013**

(51) **LOC (10) Cl.** **13-03**

(52) **U.S. Cl.**
USPC **D13/138.1**

(58) **Field of Classification Search**

CPC H02M 5/4585; H02G 7/14; H02G 3/088;
H01L 2924/01079

USPC D13/138.1, 138.2, 137.1-137.4, 118,
D13/123, 156, 184, 199; 363/15, 34, 146;
439/105-107, 650-653; 174/42, 45,
174/50, 54, 53

See application file for complete search history.

(56) **References Cited**

U.S. PATENT DOCUMENTS

D538,746 S *	3/2007	Young	D13/138.2
D592,139 S *	5/2009	Wu	D13/138.2
D614,571 S *	4/2010	Wu	D13/138.2
D635,919 S *	4/2011	Ahola et al.	D13/138.1
D648,678 S *	11/2011	Thornton	D13/138.2
D682,203 S *	5/2013	Uekihara	D13/110

* cited by examiner

Primary Examiner — Ian Simmons

Assistant Examiner — Rhea Shields

(74) *Attorney, Agent, or Firm* — Muncy, Geissler, Olds & Lowe, P.C.

(57) **CLAIM**

The ornamental design for a plug connector, as shown and described.

DESCRIPTION

FIG. 1 is a perspective view of a plug connector showing my new design;

FIG. 2 is a front elevational view thereof;

FIG. 3 is a rear elevational view thereof;

FIG. 4 is a left side elevational view thereof;

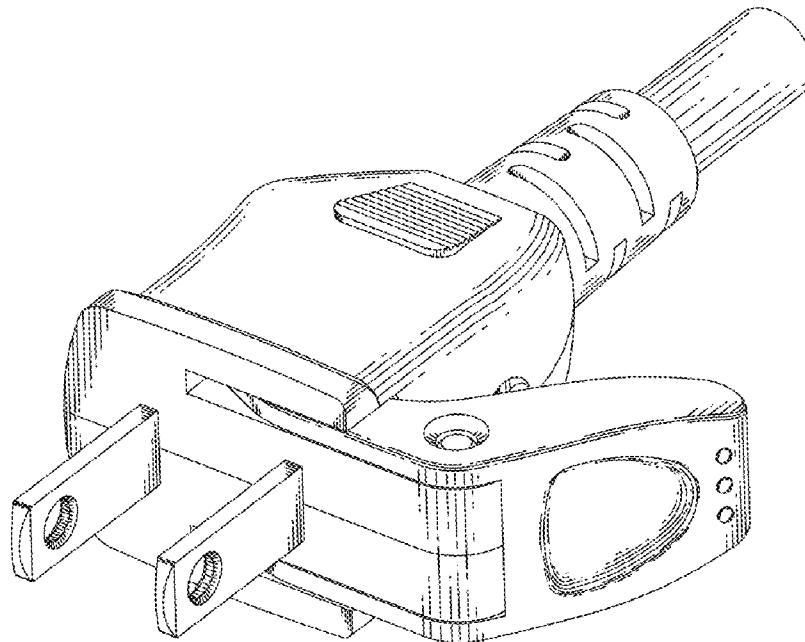
FIG. 5 is a right side elevational view thereof;

FIG. 6 is a top plan view thereof; and,

FIG. 7 is a bottom plan view thereof.

The broken line portion of the figure drawings is included to show unclaimed subject matter only and forms no part of the claimed design.

1 Claim, 7 Drawing Sheets



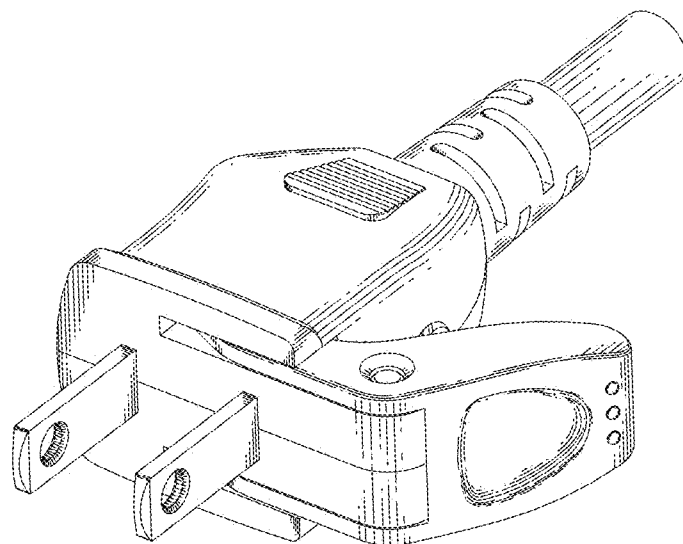


FIG. 1

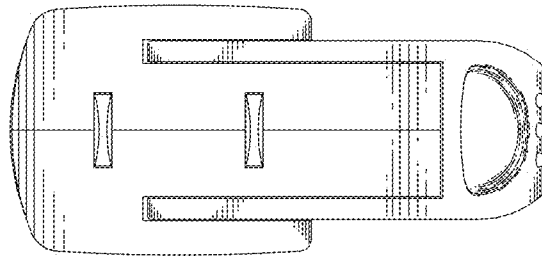


FIG. 2

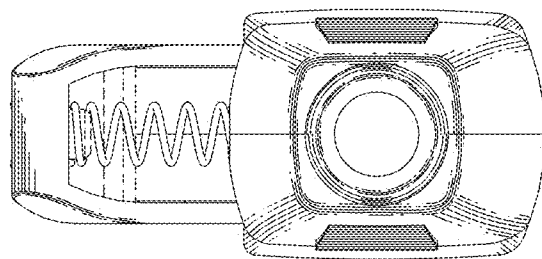


FIG. 3

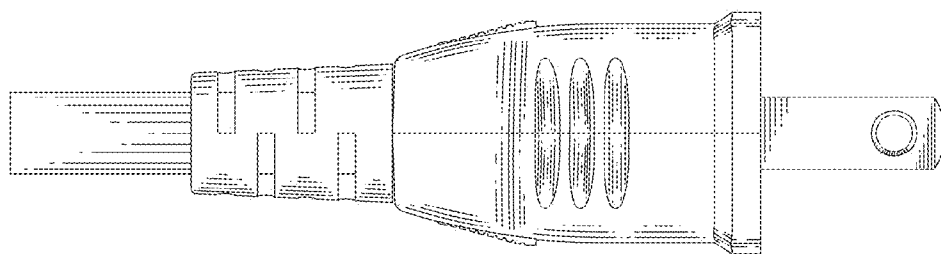


FIG. 4

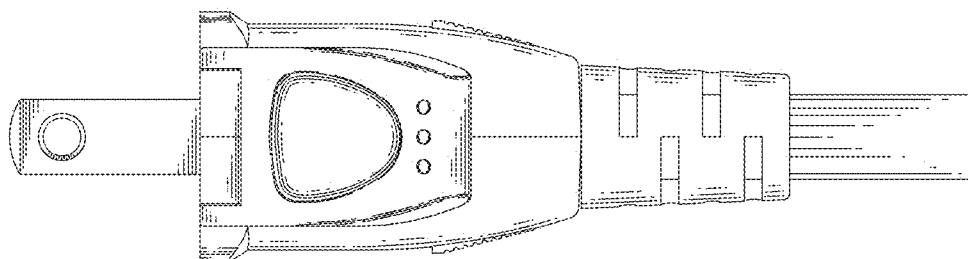


FIG. 5

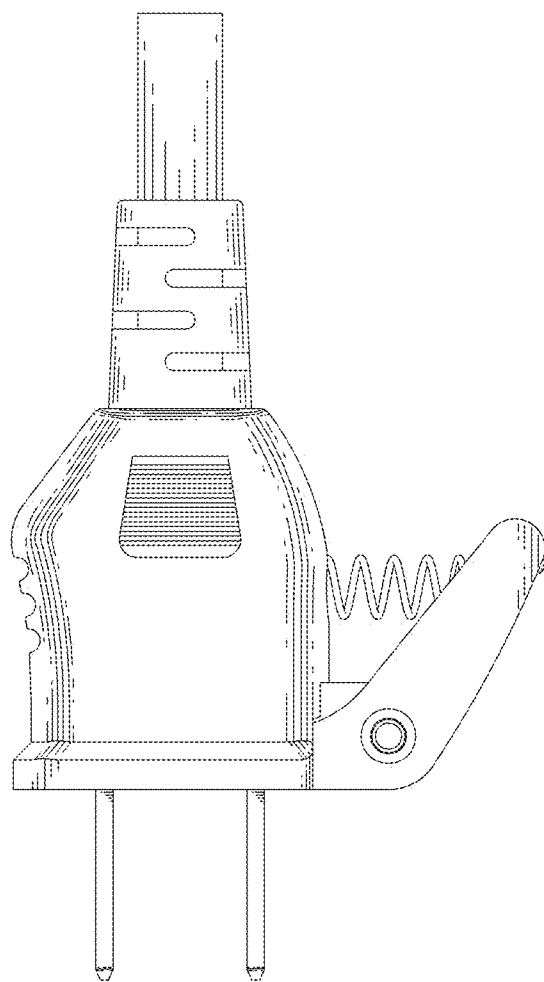


FIG. 6

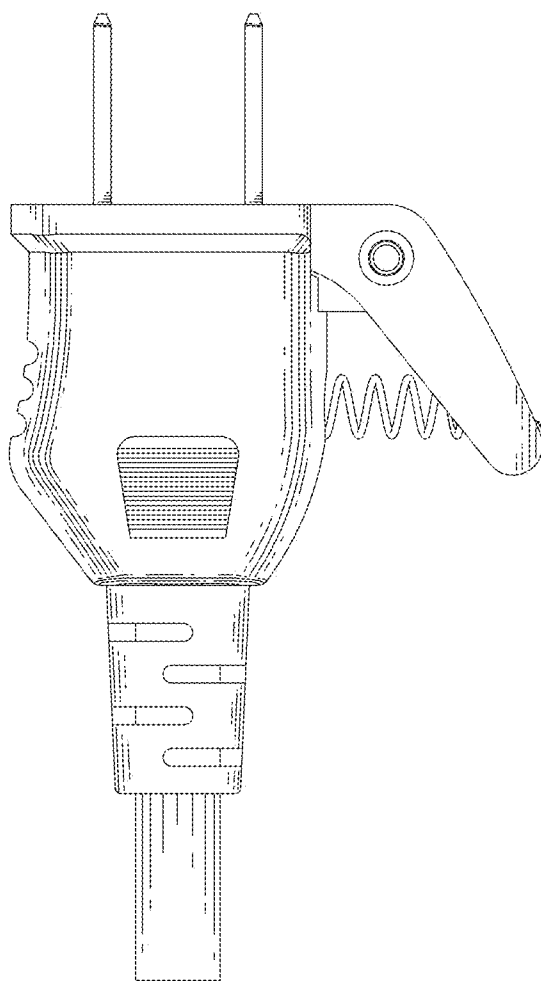


FIG. 7