



US00D837595S

(12) **United States Design Patent**  
**Ward**

(10) **Patent No.:** **US D837,595 S**

(45) **Date of Patent:** **\*\* Jan. 8, 2019**

(54) **DRINKING CUP**

(71) Applicant: **Molly M. Ward**, Sycamore, OH (US)

(72) Inventor: **Molly M. Ward**, Sycamore, OH (US)

(\*\*) Term: **15 Years**

(21) Appl. No.: **29/619,283**

(22) Filed: **Sep. 28, 2017**

(51) **LOC (11) Cl.** ..... **07-01**

(52) **U.S. Cl.**  
USPC ..... **D7/507; D7/510; D7/523; D7/532**

(58) **Field of Classification Search**  
USPC ..... **D7/507, 509, 510, 511, 523, 529, 530, 532, 392.1, 396.2, 300.1, 667, 668, 669, 670, 671, 672, 673, 674, 675, 676, 677, 678, 679, 680, 681, 682, 683, 684, 685, 686, 687, 688, 689, 690, 691, 692, 693, 694, 695, 696, 697, 698, 699, 700, 701, 702, 703, 704, 705, 706, 707, 708, 709, 710, 711, 712, 713, 714, 715, 716, 717, 718, 719, 720, 721, 722, 723, 724, 725, 726, 727, 728, 729, 730, 731, 732, 733, 734, 735, 736, 737, 738, 739, 740, 741, 742, 743, 744, 745, 746, 747, 748, 749, 750, 751, 752, 753, 754, 755, 756, 757, 758, 759, 760, 761, 762, 763, 764, 765, 766, 767, 768, 769, 770, 771, 772, 773, 774, 775, 776, 777, 778, 779, 780, 781, 782, 783, 784, 785, 786, 787, 788, 789, 790, 791, 792, 793, 794, 795, 796, 797, 798, 799, 800, 801, 802, 803, 804, 805, 806, 807, 808, 809, 810, 811, 812, 813, 814, 815, 816, 817, 818, 819, 820, 821, 822, 823, 824, 825, 826, 827, 828, 829, 830, 831, 832, 833, 834, 835, 836, 837, 838, 839, 840, 841, 842, 843, 844, 845, 846, 847, 848, 849, 850, 851, 852, 853, 854, 855, 856, 857, 858, 859, 860, 861, 862, 863, 864, 865, 866, 867, 868, 869, 870, 871, 872, 873, 874, 875, 876, 877, 878, 879, 880, 881, 882, 883, 884, 885, 886, 887, 888, 889, 890, 891, 892, 893, 894, 895, 896, 897, 898, 899, 900, 901, 902, 903, 904, 905, 906, 907, 908, 909, 910, 911, 912, 913, 914, 915, 916, 917, 918, 919, 920, 921, 922, 923, 924, 925, 926, 927, 928, 929, 930, 931, 932, 933, 934, 935, 936, 937, 938, 939, 940, 941, 942, 943, 944, 945, 946, 947, 948, 949, 950, 951, 952, 953, 954, 955, 956, 957, 958, 959, 960, 961, 962, 963, 964, 965, 966, 967, 968, 969, 970, 971, 972, 973, 974, 975, 976, 977, 978, 979, 980, 981, 982, 983, 984, 985, 986, 987, 988, 989, 990, 991, 992, 993, 994, 995, 996, 997, 998, 999, 1000**

CPC ..... **A47G 19/22; A47G 19/2205; A47G 19/2272; A45F 3/16; B65D 47/066**

See application file for complete search history.

D433,599 S \* 11/2000 Kristiansen ..... D7/509  
6,502,715 B2 \* 1/2003 Miorelli ..... A23G 9/045  
220/703  
D469,658 S \* 2/2003 Norris ..... D7/510  
D474,077 S \* 5/2003 Hatsumoto ..... D7/523  
D522,864 S \* 6/2006 Westphal ..... D9/500  
D540,124 S \* 4/2007 Ross ..... D7/509  
D546,125 S \* 7/2007 Bhavnani ..... D7/523  
D565,903 S \* 4/2008 Bodum ..... D7/500  
D604,984 S \* 12/2009 Kalamaras ..... A47J 43/27  
D7/300.1  
D616,705 S \* 6/2010 DuBois ..... D7/510  
D641,216 S \* 7/2011 Chen ..... D7/667  
D680,812 S \* 4/2013 Justus ..... D7/510  
D716,099 S \* 10/2014 Farber ..... D24/197  
D726,367 S \* 4/2015 Dukat ..... D27/167  
D727,686 S \* 4/2015 Meyerhoffer ..... D7/509  
D740,667 S \* 10/2015 Marasligiller ..... D9/523  
D741,110 S \* 10/2015 Haessig ..... D7/523  
D744,335 S \* 12/2015 Rigollet ..... D9/436

(Continued)

*Primary Examiner* — Marianne N Pandozzi  
*Assistant Examiner* — Jae Liang  
(74) *Attorney, Agent, or Firm* — Jacob M. Ward; Ward Law Office LLC

(56) **References Cited**

**U.S. PATENT DOCUMENTS**

604,514 A \* 5/1898 Belden ..... B65D 1/0223  
215/382  
D114,568 S \* 5/1939 Viatour ..... D7/523  
3,185,341 A \* 5/1965 Barbour R ..... B65D 25/48  
220/260  
3,341,062 A \* 9/1967 Phillips ..... A47G 19/2272  
220/711  
D241,801 S \* 10/1976 Colato ..... D7/531  
D285,999 S \* 10/1986 Ludwick ..... D7/523  
D290,323 S \* 6/1987 Weernink ..... D7/511  
4,726,487 A \* 2/1988 Mitri ..... B65D 1/265  
220/718  
D298,902 S \* 12/1988 Pomroy ..... D1/116  
D322,218 S \* 12/1991 Lynd ..... D7/511  
D350,481 S \* 9/1994 DeLury ..... D27/133  
D414,590 S \* 10/1999 Cole ..... 426/139

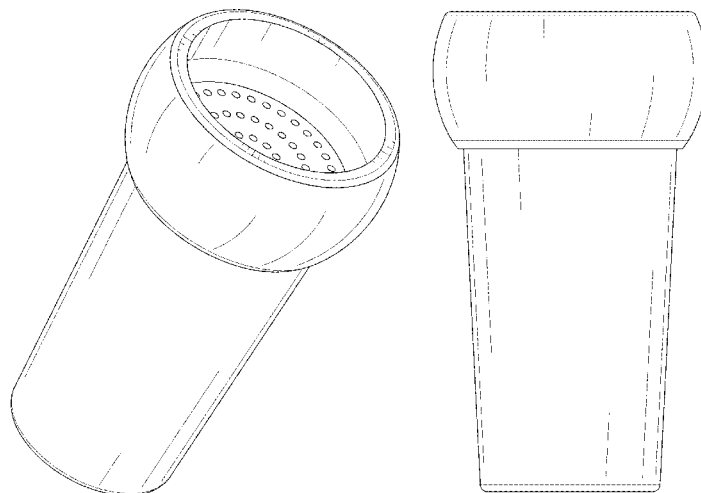
(57) **CLAIM**

The ornamental design for a drinking cup, as shown and described.

**DESCRIPTION**

FIG. 1 is a top perspective view of a drinking cup showing my new design;  
FIG. 2 is a bottom perspective view thereof;  
FIG. 3 is an exploded top perspective view thereof;  
FIG. 4 is an exploded bottom perspective view thereof;  
FIG. 5 is a front elevational view thereof; all side elevational views being identical;  
FIG. 6 is a top plan view thereof; and,  
FIG. 7 is a bottom plan view thereof.

**1 Claim, 6 Drawing Sheets**



(56)

**References Cited**

## U.S. PATENT DOCUMENTS

D749,907 S \* 2/2016 Meyerhoffer ..... D7/523  
D772,025 S \* 11/2016 Salzl ..... D7/700  
9,597,992 B2 \* 3/2017 Ghyvoronsky ..... B60N 3/10  
D799,268 S \* 10/2017 Gschwandtl ..... D7/509  
D800,502 S \* 10/2017 Weernink ..... D7/510  
D801,810 S \* 11/2017 Engel ..... D9/436  
D816,414 S \* 5/2018 Thompson ..... D7/523  
D817,683 S \* 5/2018 Melanson ..... D7/300.1  
D821,140 S \* 6/2018 Mirchandani ..... D7/409  
D830,799 S \* 10/2018 Najera ..... D8/18  
2009/0266748 A1 \* 10/2009 Boris ..... A47J 43/284  
209/352  
2016/0068317 A1 \* 3/2016 Petit ..... B29C 45/006  
206/438  
2017/0174402 A1 \* 6/2017 Rogers ..... B65D 55/14

\* cited by examiner

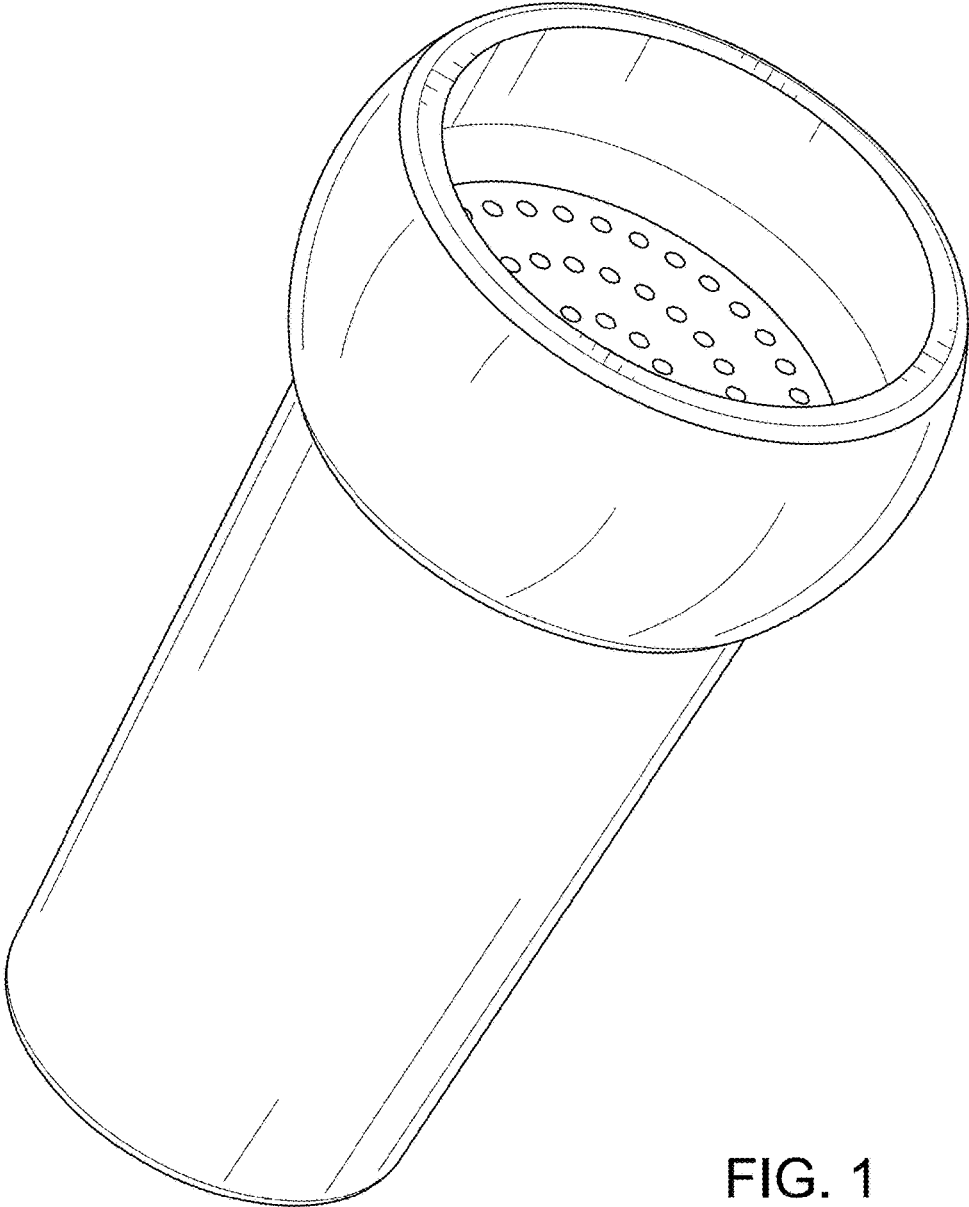


FIG. 1

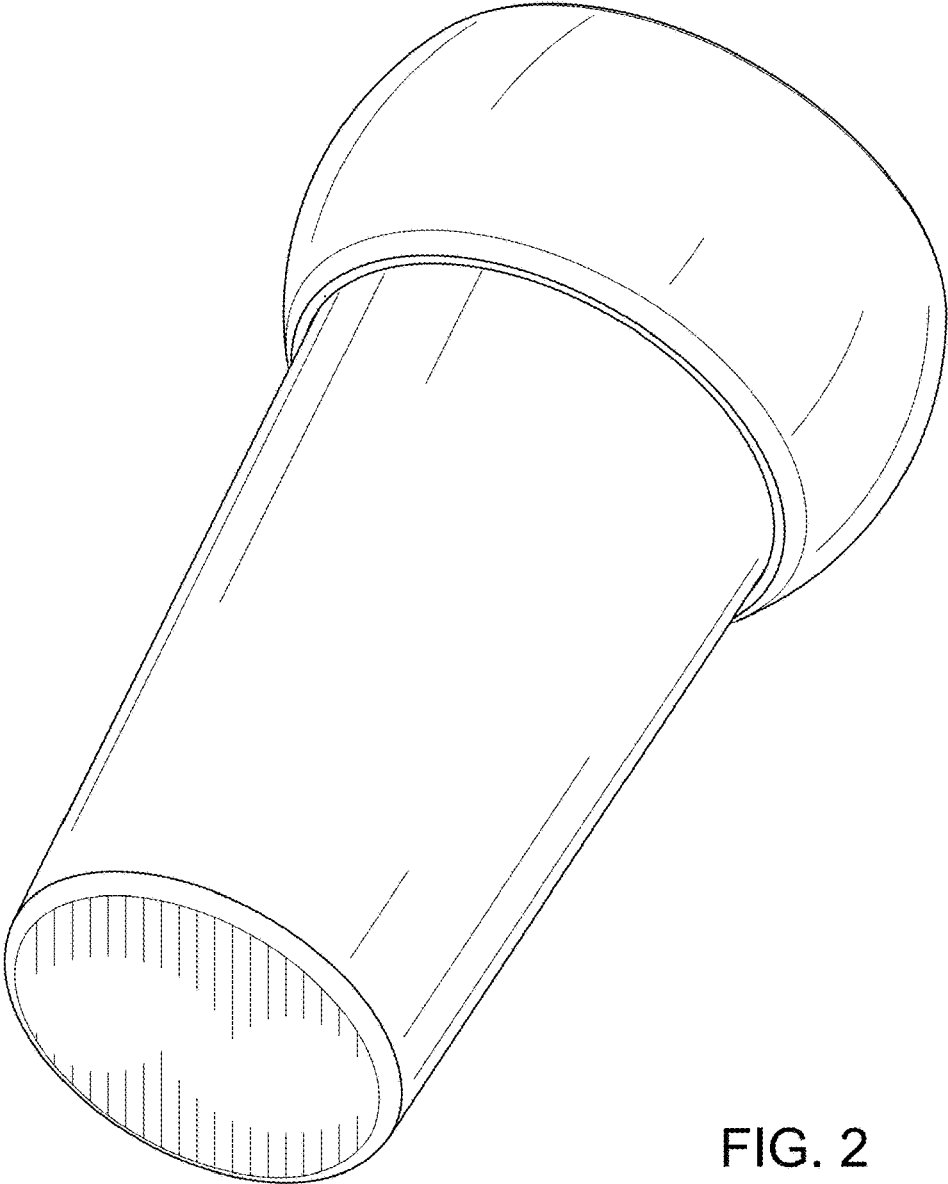


FIG. 2

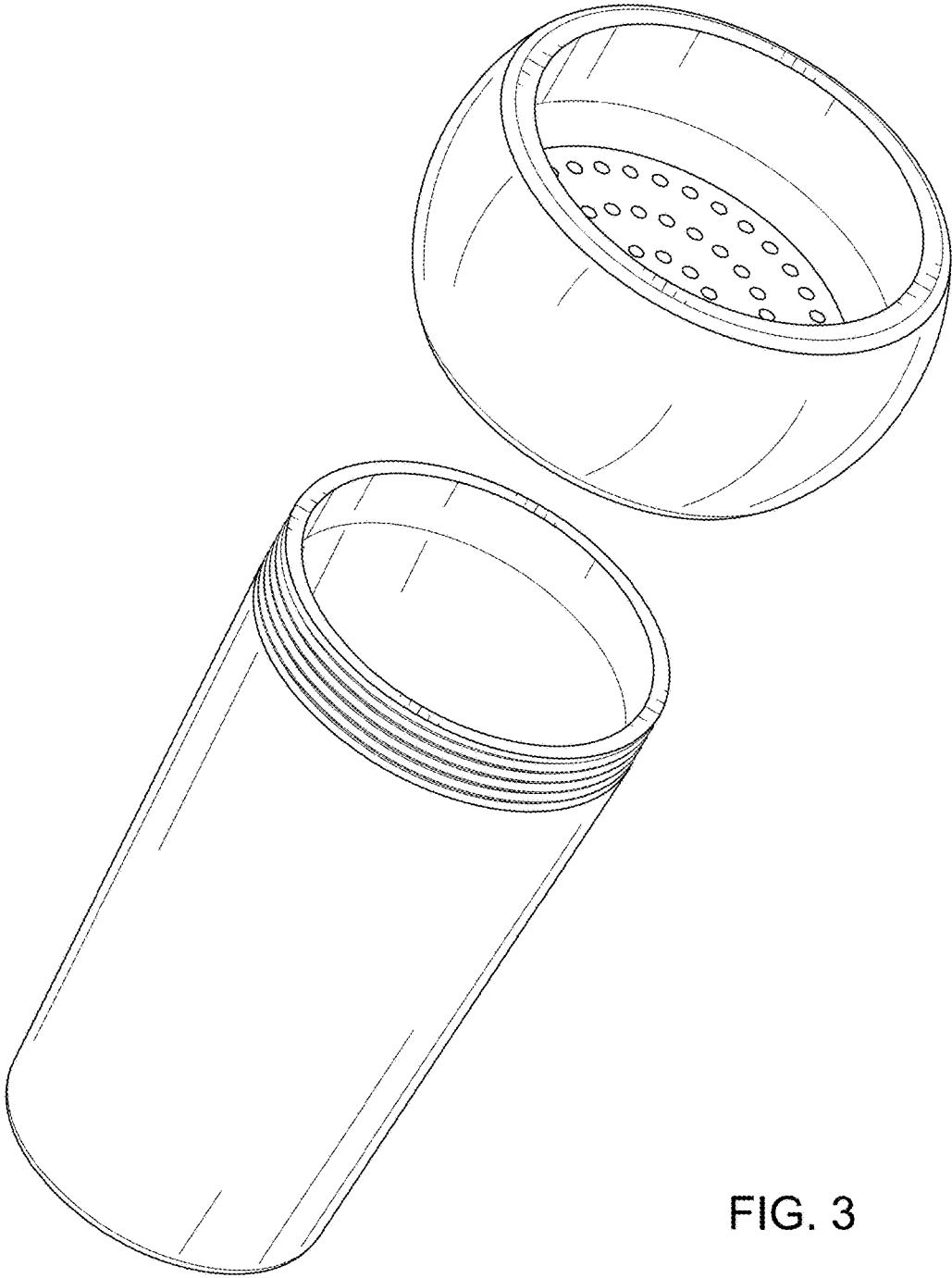


FIG. 3

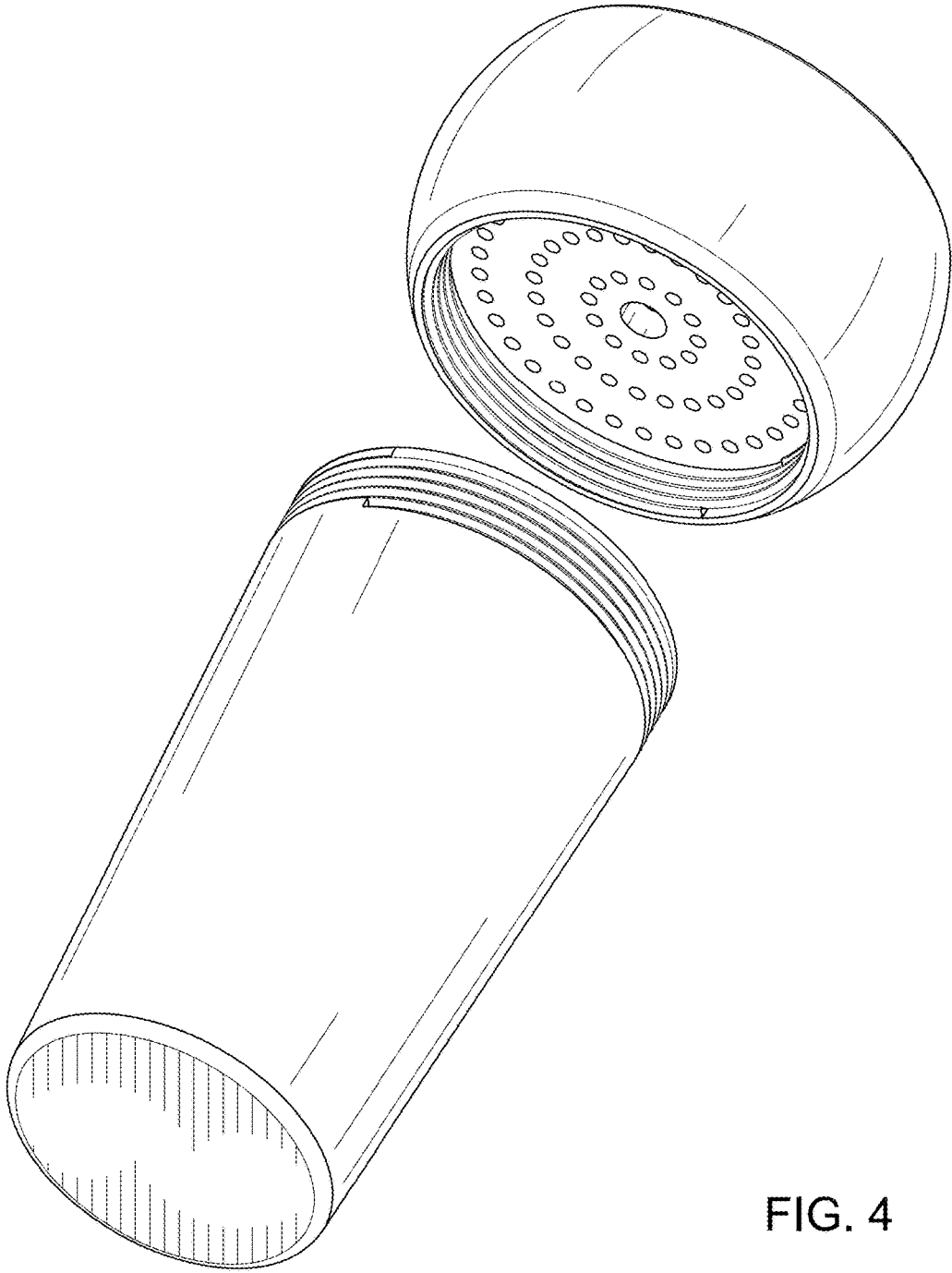


FIG. 4

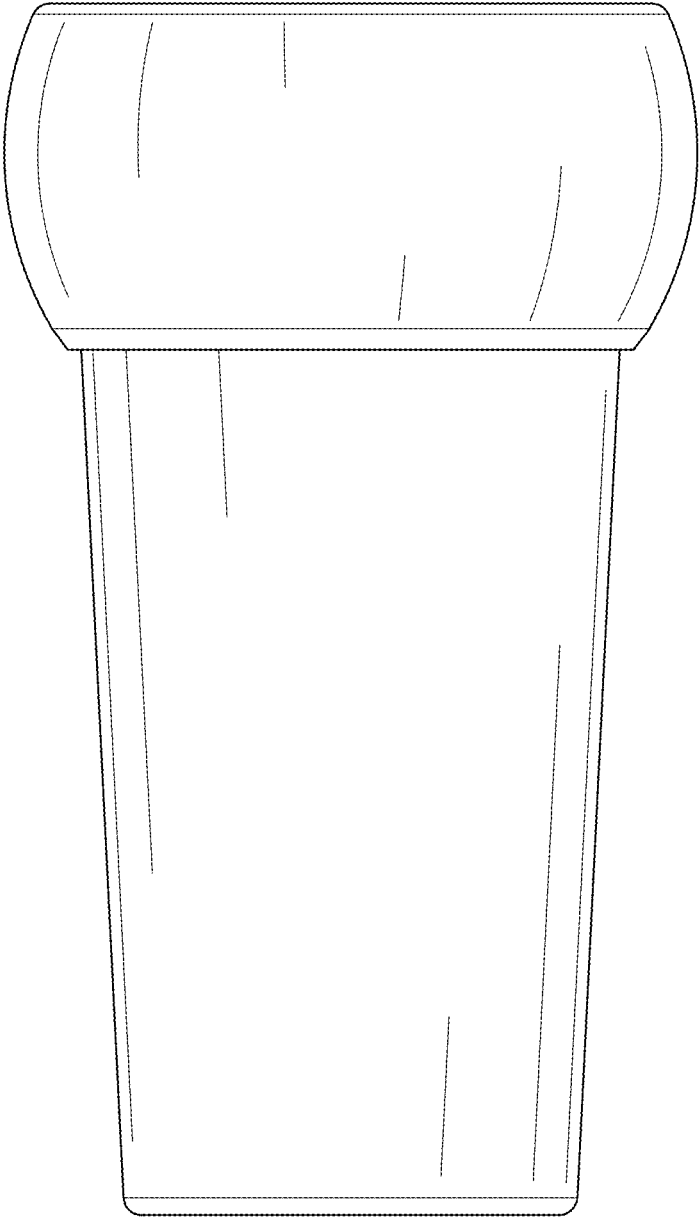


FIG. 5

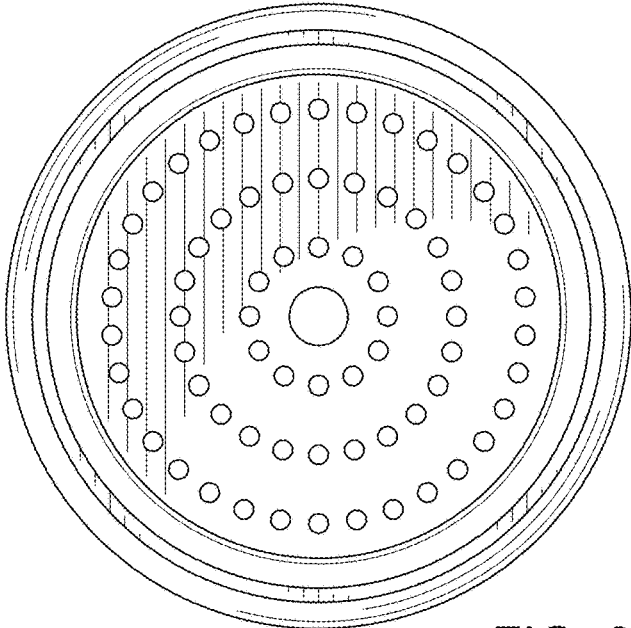


FIG. 6

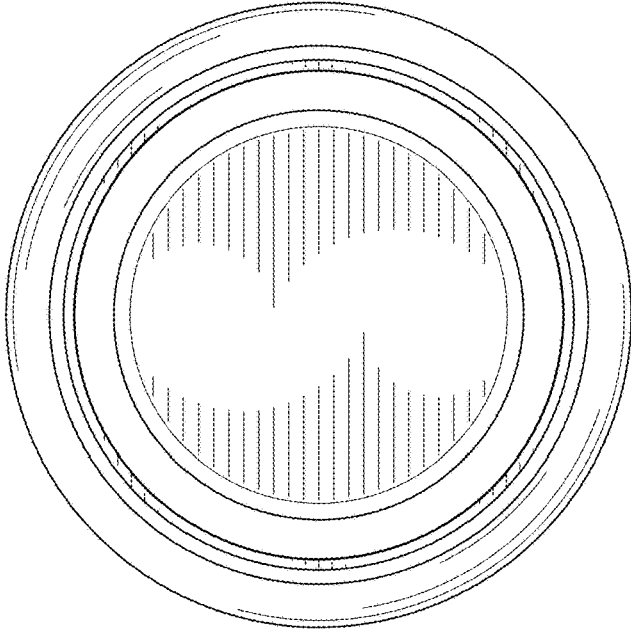


FIG. 7