



US00D342343S

United States Patent [19]

[11] Patent Number: Des. 342,343

Slivko

[45] Date of Patent: ** Dec. 14, 1993

[54] SUPPORT FOR A HAND HELD HAIR DRYER OR STYLING IMPLEMENT

4,278,223	7/1981	Fauteux	248/121 X
4,712,313	12/1987	Gettleman	34/97
4,746,090	5/1988	Hamilton	248/314

[76] Inventor: William Slivko, 20944 Sherman #204, Southfield, Mich. 48034

Primary Examiner—Bernard Ansher
Assistant Examiner—C. Tuttle
Attorney, Agent, or Firm—Terry M. Gernstein

[**] Term: 14 Years

[21] Appl. No.: 563,338

[57] CLAIM

[22] Filed: Aug. 7, 1990

The ornamental design for a support for a hand held hair dryer or styling implement, as shown and described.

[52] U.S. Cl. D28/18

[58] Field of Search D28/15-18, D28/73; D6/512, 524, 553, 324; D8/71, 349, 354, 309.1, 312; 248/121, 276, 313, 314, 315, 323, 324; 392/382; 219/242

DESCRIPTION

[56] References Cited

U.S. PATENT DOCUMENTS

2,199,107	4/1940	Kibbe	D26/64 X
2,470,694	5/1949	Foo	D24/199 X
3,713,453	1/1973	Chiaro et al.	132/212
3,910,538	10/1975	Baitella	248/276 X
4,225,106	9/1980	Eplan	248/309 R

FIG. 1 is a perspective view of a support for a hand held hair dryer or styling implement showing my new design;

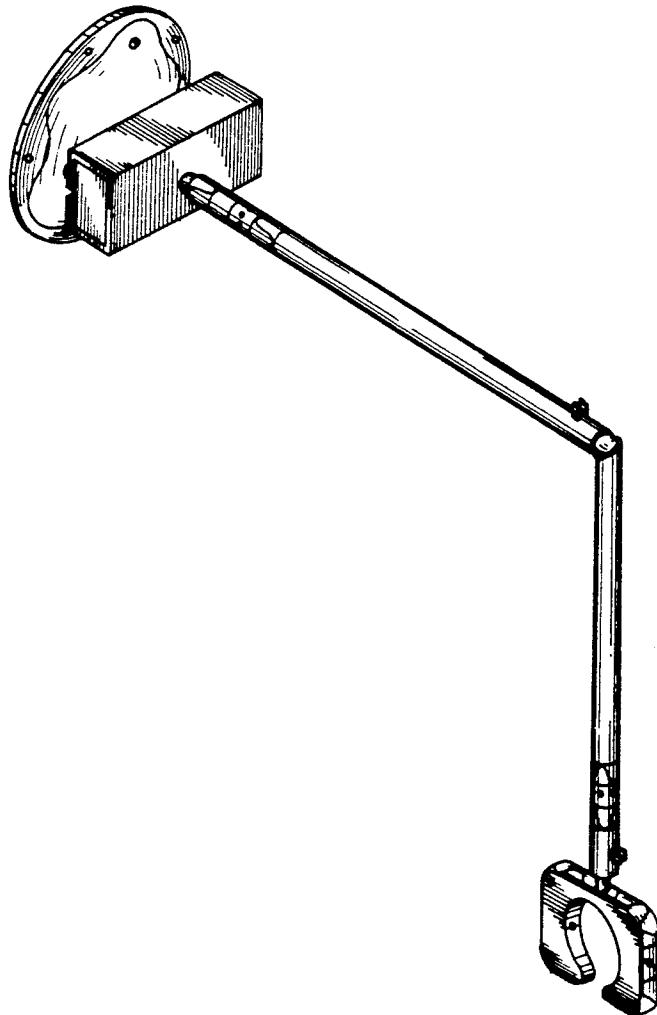
FIG. 2 is a front elevational view thereof;

FIG. 3 is a rear elevational view thereof;

FIG. 4 is a left side elevational view thereof, the side opposite being a mirror image of the side shown;

FIG. 5 is a top plan view thereof; and,

FIG. 6 is a bottom view thereof.



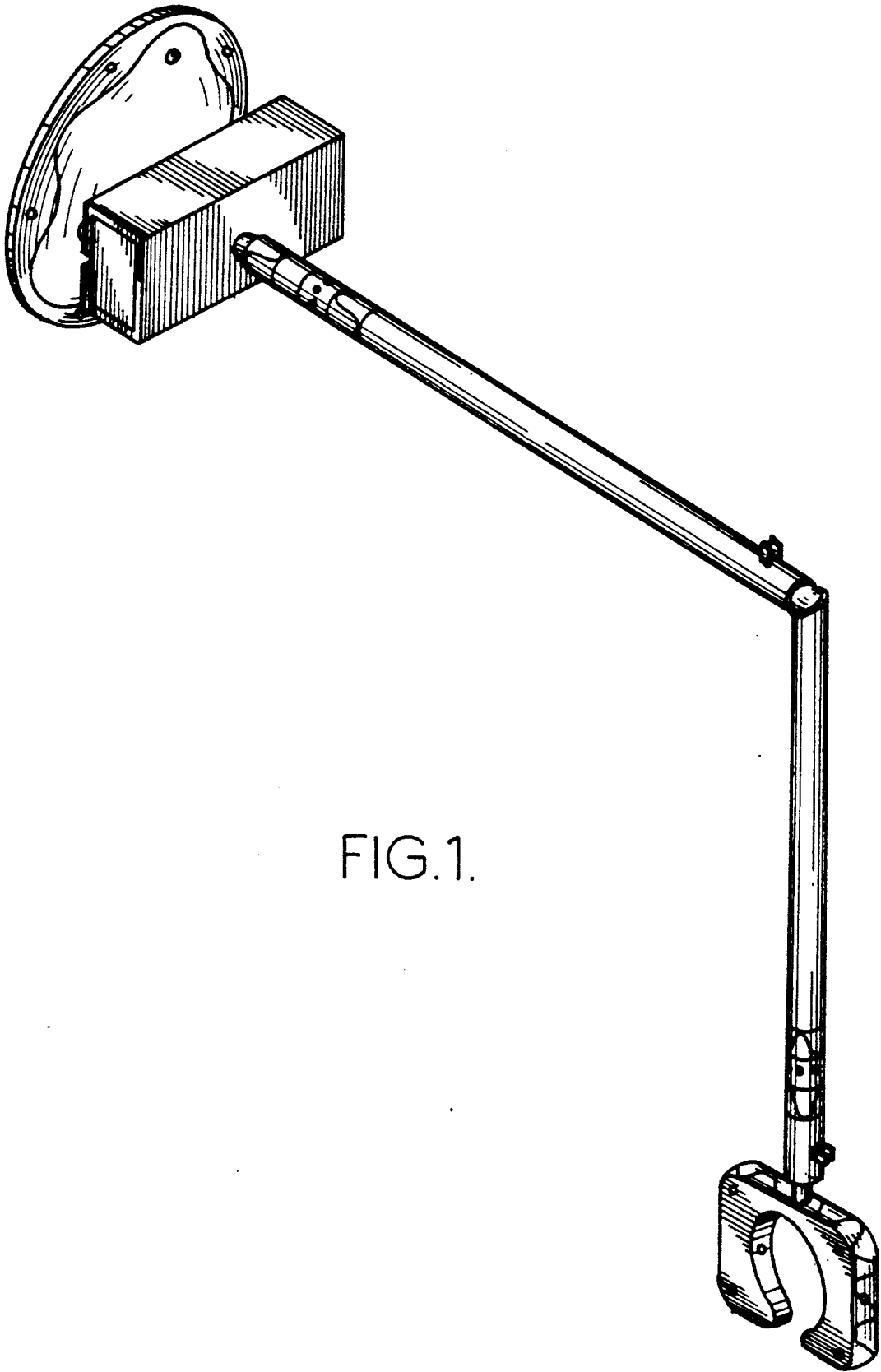


FIG. 1.

FIG. 2.

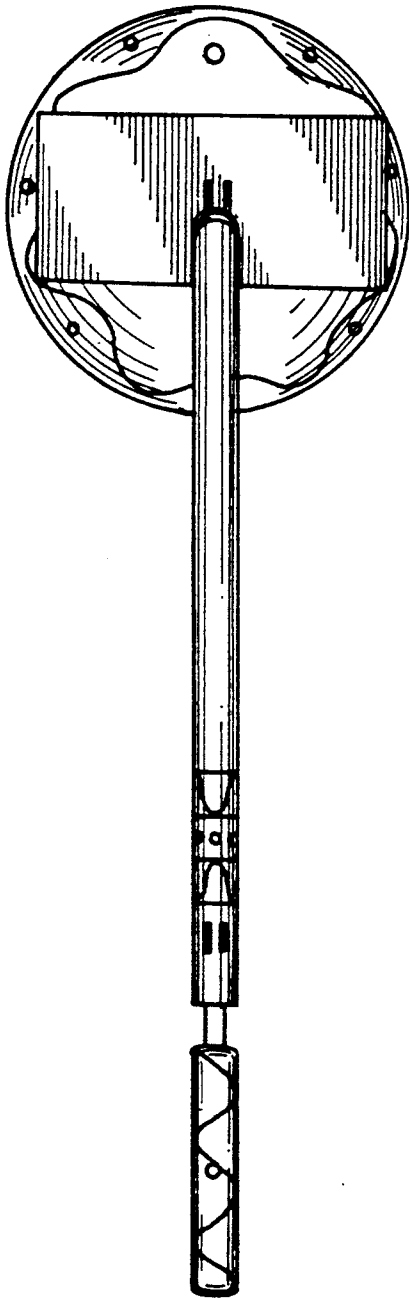
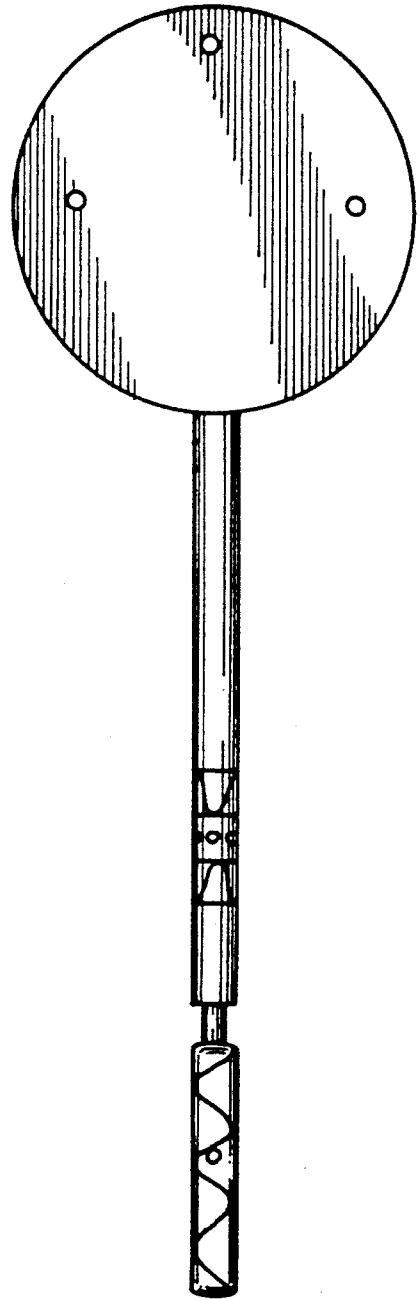


FIG. 3.



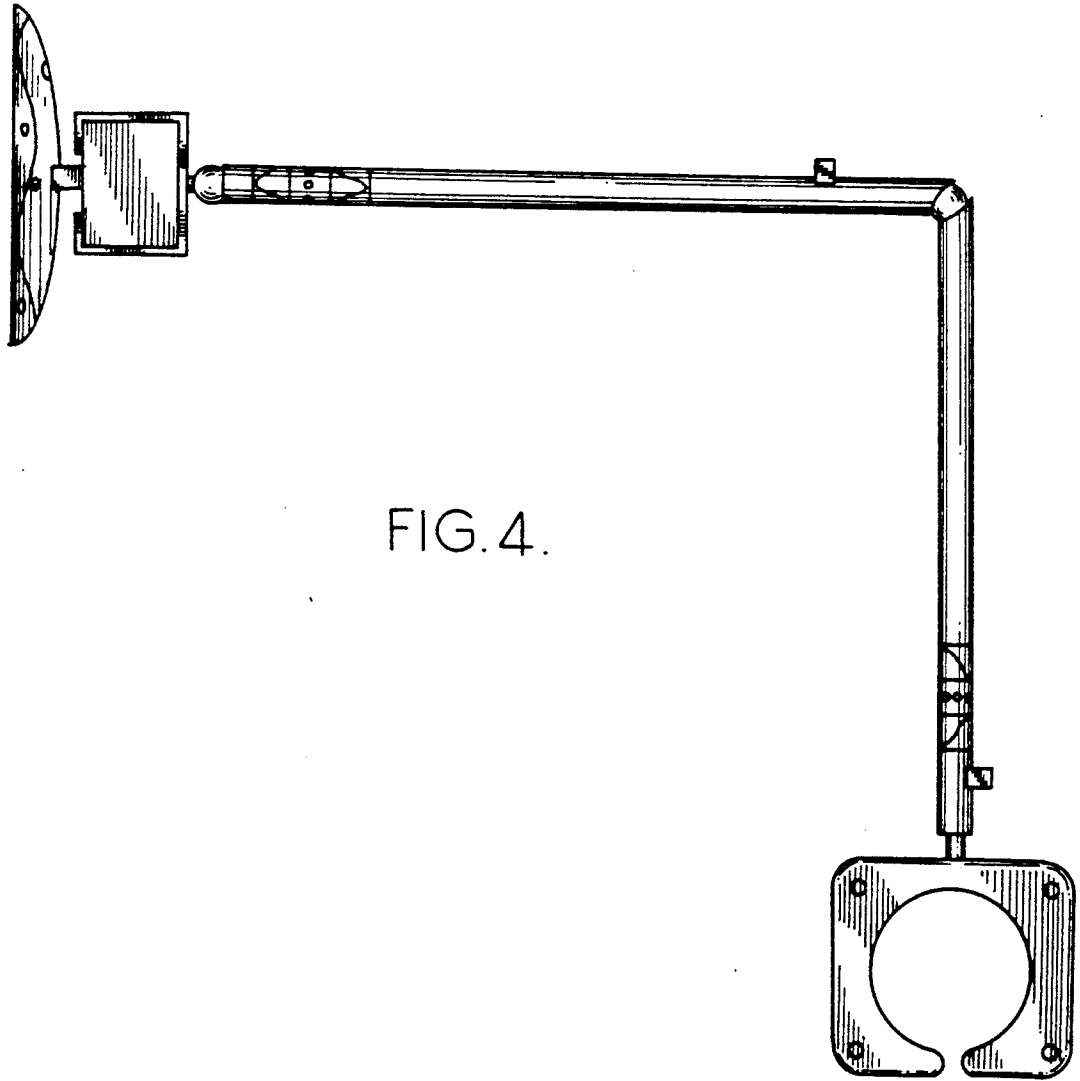


FIG. 4.

