

(19) World Intellectual Property Organization
International Bureau



(43) International Publication Date
20 September 2007 (20.09.2007)

PCT

(10) International Publication Number
WO 2007/106077 A3

(51) International Patent Classification:
E05F 1/08 (2006.01) *E05D 11/08* (2006.01)
E05F 1/14 (2006.01) *E05D 11/10* (2006.01)

AT, AU, AZ, BA, BB, BG, BR, BW, BY, BZ, CA, CH, CN, CO, CR, CU, CZ, DE, DK, DM, DZ, EC, EE, EG, ES, FI, GB, GD, GE, GH, GM, HR, HU, ID, IL, IN, IS, JP, KE, KG, KM, KN, KP, KR, KZ, LC, LK, LR, LS, LT, LU, LV, LY, MA, MD, MG, MK, MN, MW, MX, MZ, NA, NG, NI, NO, NZ, OM, PG, PH, PL, PT, RO, RU, SC, SD, SE, SG, SK, SL, SM, SY, TJ, TM, TN, TR, TT, TZ, UA, UG, US, UZ, VC, VN, YU, ZA, ZM, ZW.

(21) International Application Number:
PCT/US2006/007936

(22) International Filing Date: 2 March 2006 (02.03.2006)

(25) Filing Language: English

(26) Publication Language: English

(71) Applicant (for all designated States except US):
SOUTHCO, INC. [US/US]; 210 NORTH BRINTON LAKE ROAD, P.O. Box 0116, Concordville, Pennsylvania 19331-0116 (US).

(84) Designated States (unless otherwise indicated, for every kind of regional protection available): ARIPO (BW, GH, GM, KE, LS, MW, MZ, NA, SD, SL, SZ, TZ, UG, ZM, ZW), Eurasian (AM, AZ, BY, KG, KZ, MD, RU, TJ, TM), European (AT, BE, BG, CH, CY, CZ, DE, DK, EE, ES, FI, FR, GB, GR, HU, IE, IS, IT, LT, LU, LV, MC, NL, PL, PT, RO, SE, SI, SK, TR), OAPI (BF, BJ, CF, CG, CI, CM, GA, GN, GQ, GW, ML, MR, NE, SN, TD, TG).

(72) Inventors; and

(75) Inventors/Applicants (for US only): **LOWRY, David** [US/US]; 702 Turnbridge Road, Wayne, Pennsylvania 19087 (US). **NOVIN, Eugene** [US/US]; 1098 Boxwood Lane, Blue Bell, Pennsylvania 19422 (US). **COOPER, Mark** [US/US]; 984 Shavertown Road, Boothwyn, Pennsylvania 19061 (US).

Published:

- with international search report
- before the expiration of the time limit for amending the claims and to be republished in the event of receipt of amendments

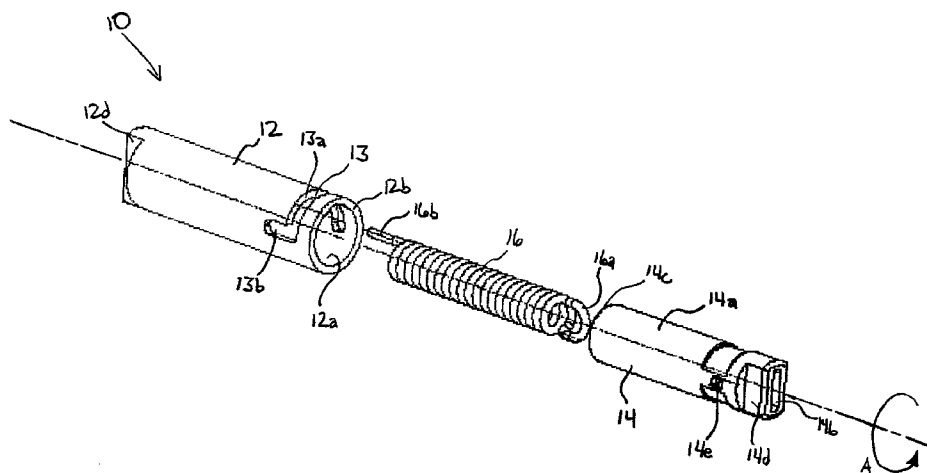
(74) Agents: **OJAN, Ourmazd** et al.; **PAUL & PAUL**, 2000 MARKET STREET, Suite 2900, Philadelphia, Pennsylvania 19103 (US).

(88) Date of publication of the international search report:
10 January 2008

(81) Designated States (unless otherwise indicated, for every kind of national protection available): AE, AG, AL, AM,

For two-letter codes and other abbreviations, refer to the "Guidance Notes on Codes and Abbreviations" appearing at the beginning of each regular issue of the PCT Gazette.

(54) Title: DROP-IN DAMPED HINGE MODULE



(57) Abstract: A damped hinge module (10) is disclosed and includes a first member (12), a second member (14) and a torsion spring (16). The second member is rotationally movable relative to the first member between a first position and a second position. The second member being received at least in part within the first member. The torsion spring is located internally with respect to the first member and biases the second member toward the first position relative to the first member. The spring has a preload with the second member in the first position relative to the first member.

WO 2007/106077 A3

INTERNATIONAL SEARCH REPORT

International application No.

PCT/US06/07936

A. CLASSIFICATION OF SUBJECT MATTER

IPC: **E05F 1/08(2006.01),1/14(2006.01);E05D 11/08(2006.01),11/10(2006.01)**

USPC: Please See Continuation Sheet

According to International Patent Classification (IPC) or to both national classification and IPC

B. FIELDS SEARCHED

Minimum documentation searched (classification system followed by classification symbols)

U.S. : 16/297,330,334,340,342,380;361/680,681,682,683;379/433.12,433.13;455/575.1,575.3,575.4,575.8,90.3

Documentation searched other than minimum documentation to the extent that such documents are included in the fields searched

Electronic data base consulted during the international search (name of data base and, where practicable, search terms used)

C. DOCUMENTS CONSIDERED TO BE RELEVANT

Category *	Citation of document, with indication, where appropriate, of the relevant passages	Relevant to claim No.
X --- A	US 434,877 A (Morrow) 19 August 1890 (19.08.1890), page 1, lines 81-88, page 2, lines 9-23 and figures 1-4.	1,8 ----- 2-7
X --- A	US 2005/0034269 A1 (Jinbo) 17 February 2005 (17.02.2005), paragraphs 0046 and 0047 and figures 1-8c.	1,2,5 ----- 3,4,6,7,8
X --- A	US 5,142,738 A (Ojima) 01 September 1992 (01.09.1992), figures 1-11(a).	1,2 ----- 3-8

Further documents are listed in the continuation of Box C.

See patent family annex.

* Special categories of cited documents:	"T"	later document published after the international filing date or priority date and not in conflict with the application but cited to understand the principle or theory underlying the invention
"A" document defining the general state of the art which is not considered to be of particular relevance	"X"	document of particular relevance; the claimed invention cannot be considered novel or cannot be considered to involve an inventive step when the document is taken alone
"E" earlier application or patent published on or after the international filing date	"Y"	document of particular relevance; the claimed invention cannot be considered to involve an inventive step when the document is combined with one or more other such documents, such combination being obvious to a person skilled in the art
"L" document which may throw doubts on priority claim(s) or which is cited to establish the publication date of another citation or other special reason (as specified)	"&"	document member of the same patent family
"O" document referring to an oral disclosure, use, exhibition or other means		
"P" document published prior to the international filing date but later than the priority date claimed		

Date of the actual completion of the international search

13 October 2007 (13.10.2007)

Date of mailing of the international search report

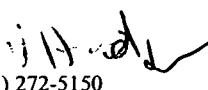
19 NOV 2007

Name and mailing address of the ISA/US

Mail Stop PCT, Attn: ISA/US
Commissioner for Patents
P.O. Box 1450
Alexandria, Virginia 22313-1450

Facsimile No. (571) 273-3201

Authorized officer

Ruth C. Rodriguez 
Telephone No. (571) 272-5150

INTERNATIONAL SEARCH REPORT

International application No.
PCT/US06/07936

C. (Continuation) DOCUMENTS CONSIDERED TO BE RELEVANT

Category *	Citation of document, with indication, where appropriate, of the relevant passages	Relevant to claim No.
X --- A	US 6,336,252 B2 (Bando) 08 January 2002 (08.01.2002), figures 1-6c.	1,2 ----- 3-8
X --- A	US 6,601,269 B2 (Oshima et al.) 05 August 2003 (05.08.2003), figures 1-14.	1,2 ----- 3-8
X --- A	US 6,684,456 B2 (Lee) 03 February 2004 (03.02.2004), figures 6-8.	1,2 ----- 3-8
X --- A	US 6,789,292 B2 (Oshima et al.) 14 September 2004 (14.09.2004), figures 1-24.	1 ----- 2-8
X --- A	US 2004/0211211 (Nam et al.) 28 October 2004 (28.10.2004), figures 1 and 2	1 ----- 2-8
X --- A	US 6,817,061 B2 (Wu et al.) 16 November 2004 (16.11.2004), figures 1-6.	1,2 ----- 3-8
X --- A	US 6,985,580 B2 (Lu et al.) 10 January 2006 (10.01.2006), figures 1-8.	1 ----- 2-8
A	US 6,665,906 B2 (Li) 23 December 2003 (23.12.2003), figures 1-13.	1-8

INTERNATIONAL SEARCH REPORT

International application No.

PCT/US06/07936

Continuation of USPC:

16/297,330,334,340,342,380;361/680,681,682,683;379/433.12,433.13;455/575.1,575.3,575.4,575.8,90.3