



US00D827304S

(12) **United States Design Patent**  
**Tao**

(10) **Patent No.:** **US D827,304 S**

(45) **Date of Patent:** **\*\* Sep. 4, 2018**

(54) **LUGGAGE HANDLE**

D674,192 S \* 1/2013 Li ..... D3/318

(71) Applicant: **Linguang Tao**, Shanghai (CN)

D777,441 S \* 1/2017 Li ..... D3/318

D778,053 S \* 2/2017 Li ..... D3/318

(72) Inventor: **Linguang Tao**, Shanghai (CN)

\* cited by examiner

(\*\*) Term: **15 Years**

*Primary Examiner* — Holly H Baynham

(74) *Attorney, Agent, or Firm* — Che-Yang Chen; Law Offices of Scott Warmuth

(21) Appl. No.: **29/605,657**

(22) Filed: **May 29, 2017**

(57) **CLAIM**

(51) **LOC (11) Cl.** ..... **03-01**

The ornamental design for a luggage handle, as shown and described.

(52) **U.S. Cl.**

USPC ..... **D3/318**

(58) **Field of Classification Search**

USPC ..... D3/318

CPC ..... A45C 11/18; A45C 11/182

See application file for complete search history.

**DESCRIPTION**

FIG. 1 is a perspective view of a luggage handle showing my new design;

FIG. 2 is a front elevational view thereof;

FIG. 3 is a rear elevational view thereof;

FIG. 4 is a left side elevational view thereof;

FIG. 5 is a right side elevational view thereof;

FIG. 6 is an enlarged top plan view thereof; and,

FIG. 7 is a bottom plan view thereof.

(56) **References Cited**

U.S. PATENT DOCUMENTS

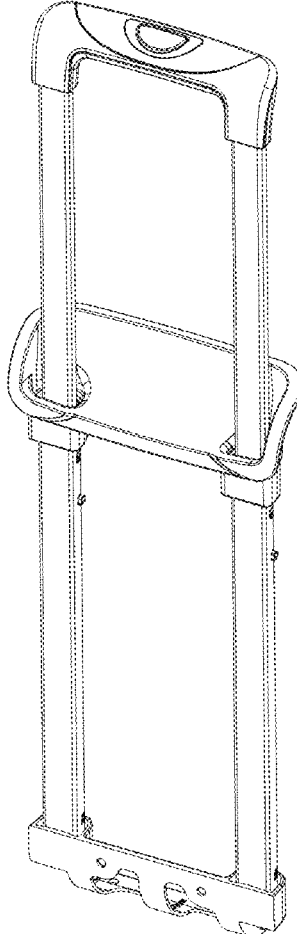
D472,713 S \* 4/2003 Lee ..... D3/318

D489,531 S \* 5/2004 Oh ..... D3/318

D663,526 S \* 7/2012 Wu ..... A45C 13/262

D3/318

**1 Claim, 5 Drawing Sheets**



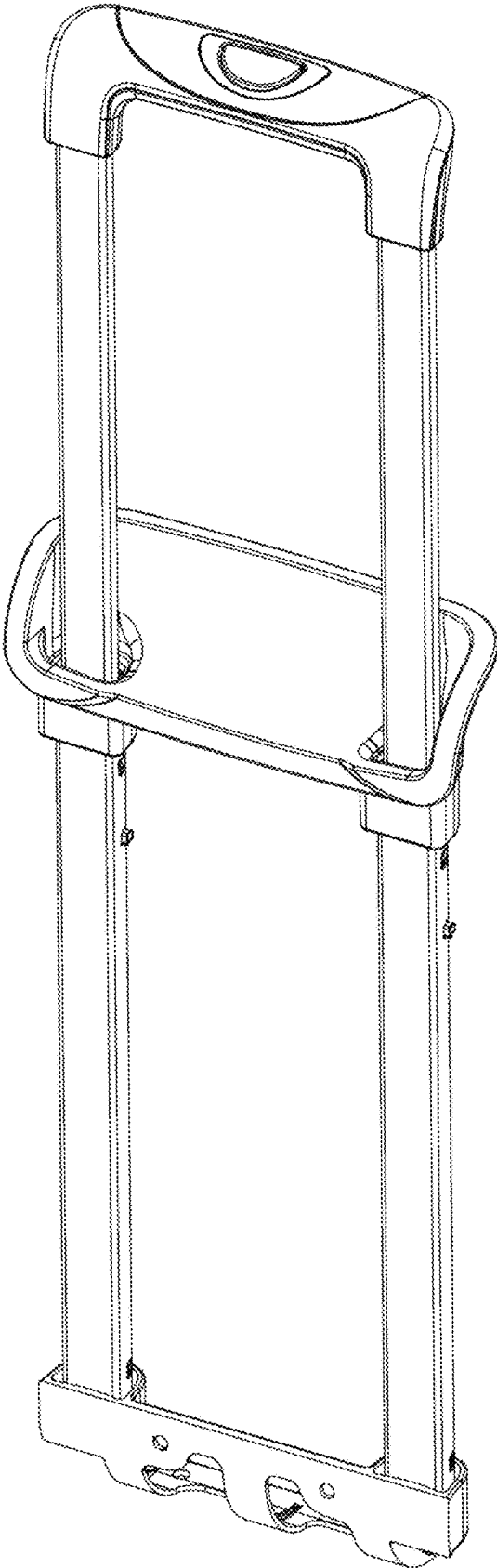


FIG. 1

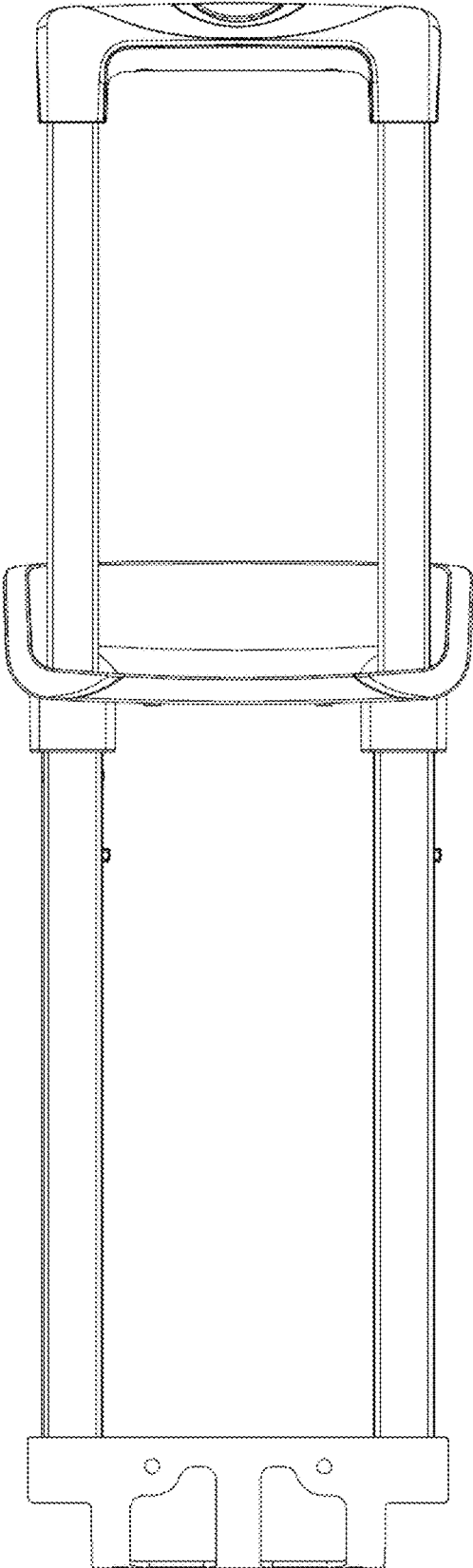


FIG. 2

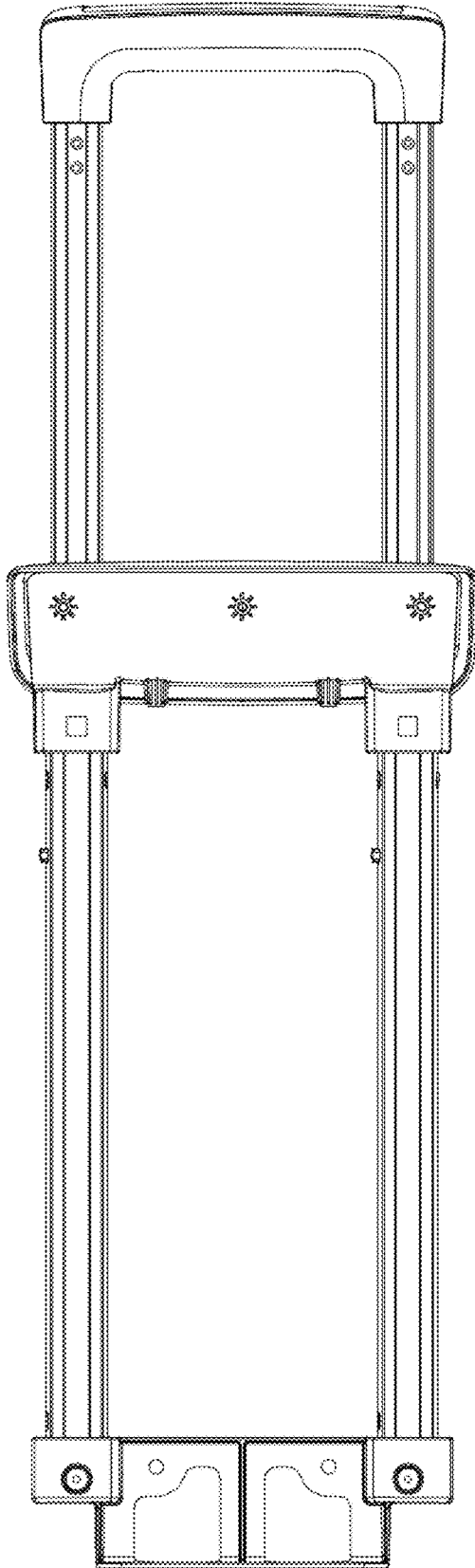


FIG. 3

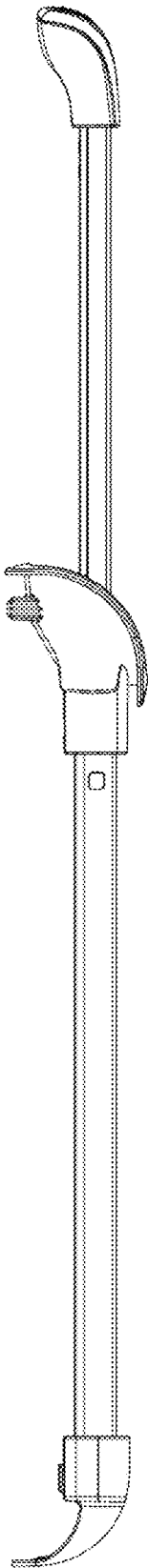


FIG. 4

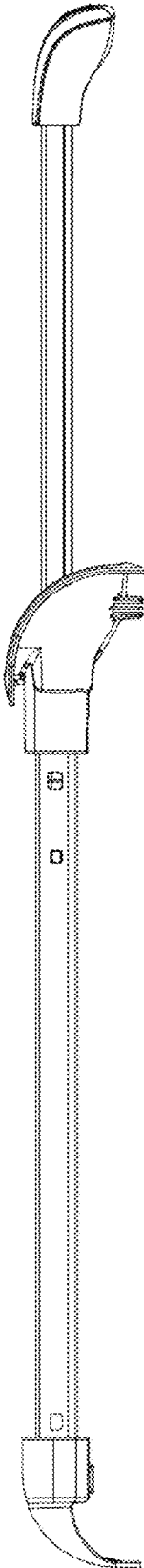


FIG. 5

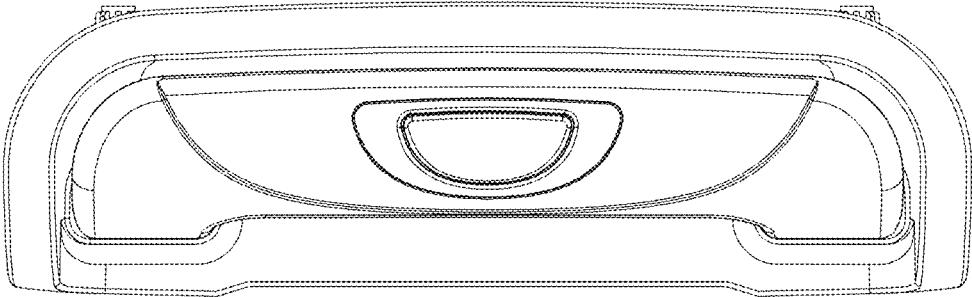


FIG. 6

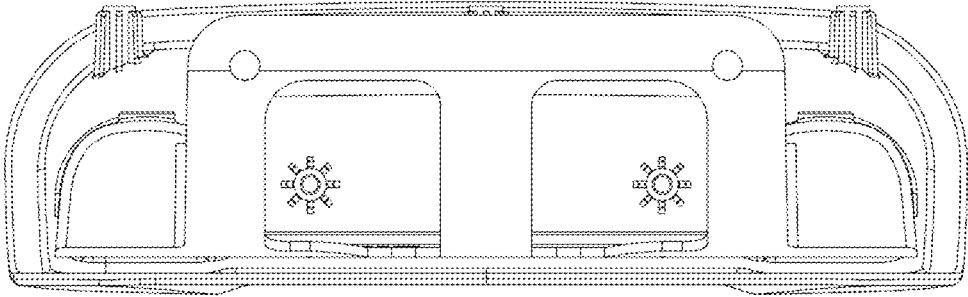


FIG. 7