



(12) **United States Design Patent**
Andre et al.

(10) **Patent No.:** **US D600,696 S**
(45) **Date of Patent:** **** Sep. 22, 2009**

(54) **MONITOR**

(75) Inventors: **Bartley K. Andre**, Menlo Park, CA (US); **Daniel J. Coster**, San Francisco, CA (US); **Daniele De Iuliis**, San Francisco, CA (US); **Evans Hankey**, San Francisco, CA (US); **Richard P. Howarth**, San Francisco, CA (US); **Jonathan P. Ive**, San Francisco, CA (US); **Duncan Robert Kerr**, San Francisco, CA (US); **Shin Nishibori**, Portola Valley, CA (US); **Matthew Dean Rohrbach**, San Francisco, CA (US); **Peter Russell-Clarke**, San Francisco, CA (US); **Douglas B. Satzger**, Menlo Park, CA (US); **Christopher J Stringer**, Woodside, CA (US); **Eugene Antony Whang**, San Francisco, CA (US); **Rico Zorkendorfer**, San Francisco, CA (US)

D456,023 S 4/2002 Andre et al.
D464,049 S 10/2002 Goto
D476,335 S 6/2003 Miao et al.
D486,486 S 2/2004 Jobs et al.
D488,139 S 4/2004 Takami et al.
D491,901 S 6/2004 Chin et al.
D492,684 S * 7/2004 Ozolins et al. D14/374
D494,971 S 8/2004 Jobs et al.
D495,332 S 8/2004 Jobs et al.
D495,706 S * 9/2004 Lin et al. D14/374

(73) Assignee: **Apple Inc.**, Cupertino, CA (US)

(**) Term: **14 Years**

(21) Appl. No.: **29/326,078**

(22) Filed: **Oct. 10, 2008**

(51) **LOC (9) Cl.** **14-02**

(52) **U.S. Cl.** **D14/371**

(58) **Field of Classification Search** D14/371-375,
D14/125-129, 356; 248/917-924, 176.1,
248/278.1; 341/12; 345/104, 156, 168, 173,
345/901-905; 348/180, 184, 325, 739; 349/1,
349/2, 11, 62

See application file for complete search history.

(56) **References Cited**

U.S. PATENT DOCUMENTS

D294,262 S 2/1988 Thies et al.
D428,415 S 7/2000 Shibata
D432,101 S 10/2000 Oba
D434,763 S 12/2000 Jobs et al.
D453,022 S 1/2002 Oba

OTHER PUBLICATIONS

Macworld magazine, Jun. 2007, cover.
Apple iMac, <http://www.apple.com/imac>, available at least as early as Oct. 10, 2008.

Primary Examiner—Freda S Nunn
(74) *Attorney, Agent, or Firm*—SAIDMAN DesignLaw Group

(57) **CLAIM**

The ornamental design for a monitor, as shown and described.

DESCRIPTION

FIG. 1 is a perspective view of a monitor showing our new design;

FIG. 2 is a front view thereof;

FIG. 3 is a rear view thereof;

FIG. 4 is a left side view thereof;

FIG. 5 is a right side view thereof;

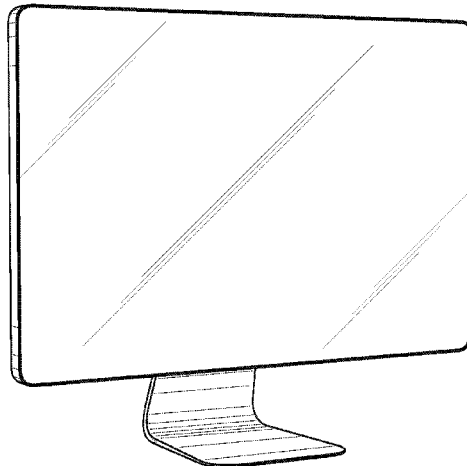
FIG. 6 is a top view thereof;

FIG. 7 is a bottom view thereof; and,

FIG. 8 is a rear perspective view thereof.

The claimed design is shown in solid, relatively bold lines. The relatively thin shade lines show contour and not surface ornamentation. The closely spaced parallel diagonal shade lines represent a translucent surface.

1 Claim, 6 Drawing Sheets



US D600,696 S

Page 2

U.S. PATENT DOCUMENTS							
D496,040	S	9/2004	Jobs et al.	D541,278	S *	4/2007	Hsu et al. D14/375
D504,889	S	5/2005	Andre et al.	D541,799	S	5/2007	Andre et al.
D529,913	S *	10/2006	Chen et al. D14/375	D549,673	S *	8/2007	Niitsu D14/126
D530,329	S *	10/2006	Chen et al. D14/375	D556,755	S *	12/2007	Lee et al. D14/375
D531,631	S	11/2006	Andre et al.	D558,200	S *	12/2007	Tsai D14/375
D532,011	S	11/2006	Andre et al.	D570,841	S *	6/2008	Kim et al. D14/375
D533,519	S *	12/2006	Ellison D14/126	2002/0020792	A1 *	2/2002	Lee 248/278.1
				2006/0237599	A1 *	10/2006	Ternus et al. 248/176.1
							* cited by examiner

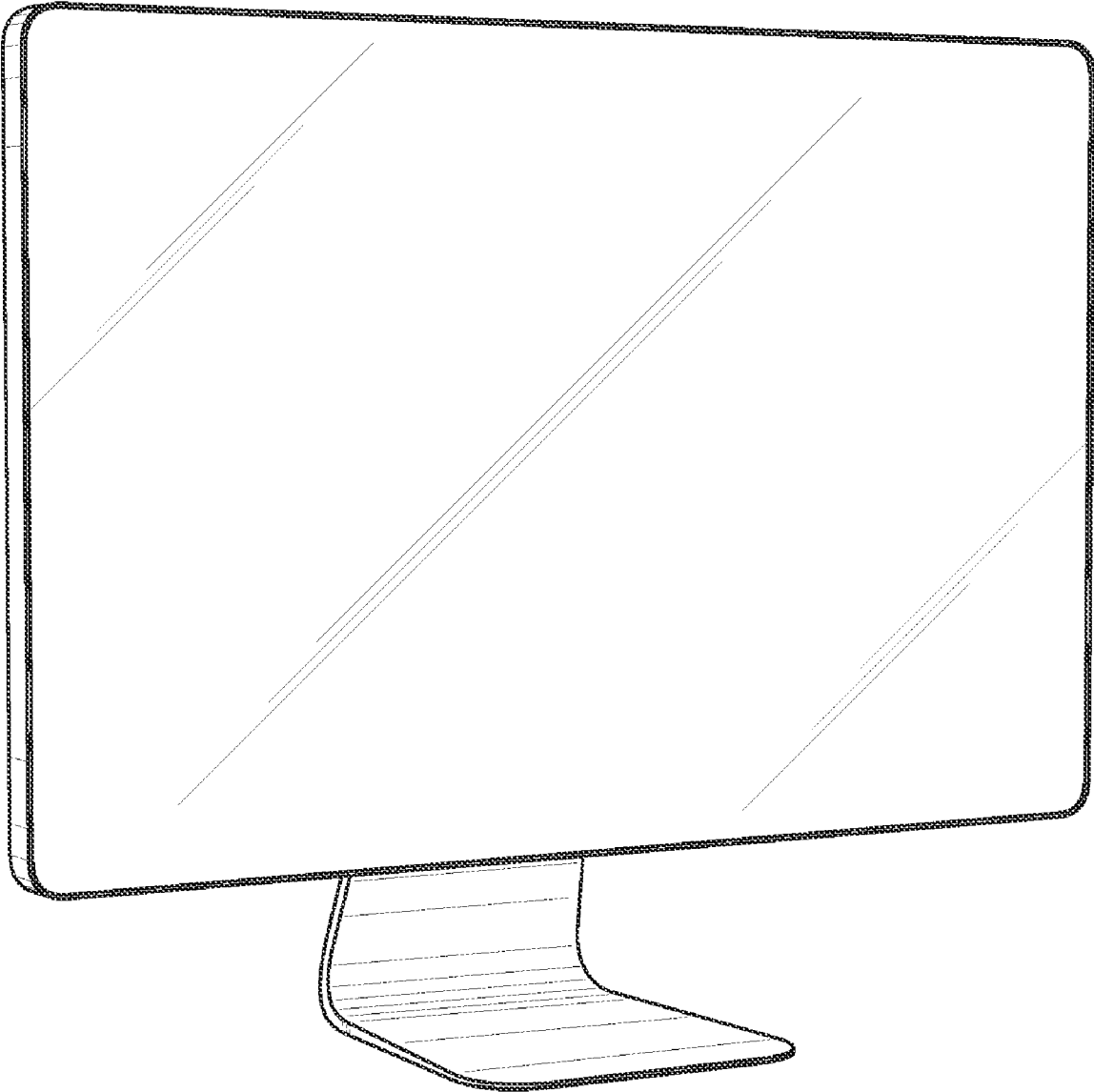


Fig. 1

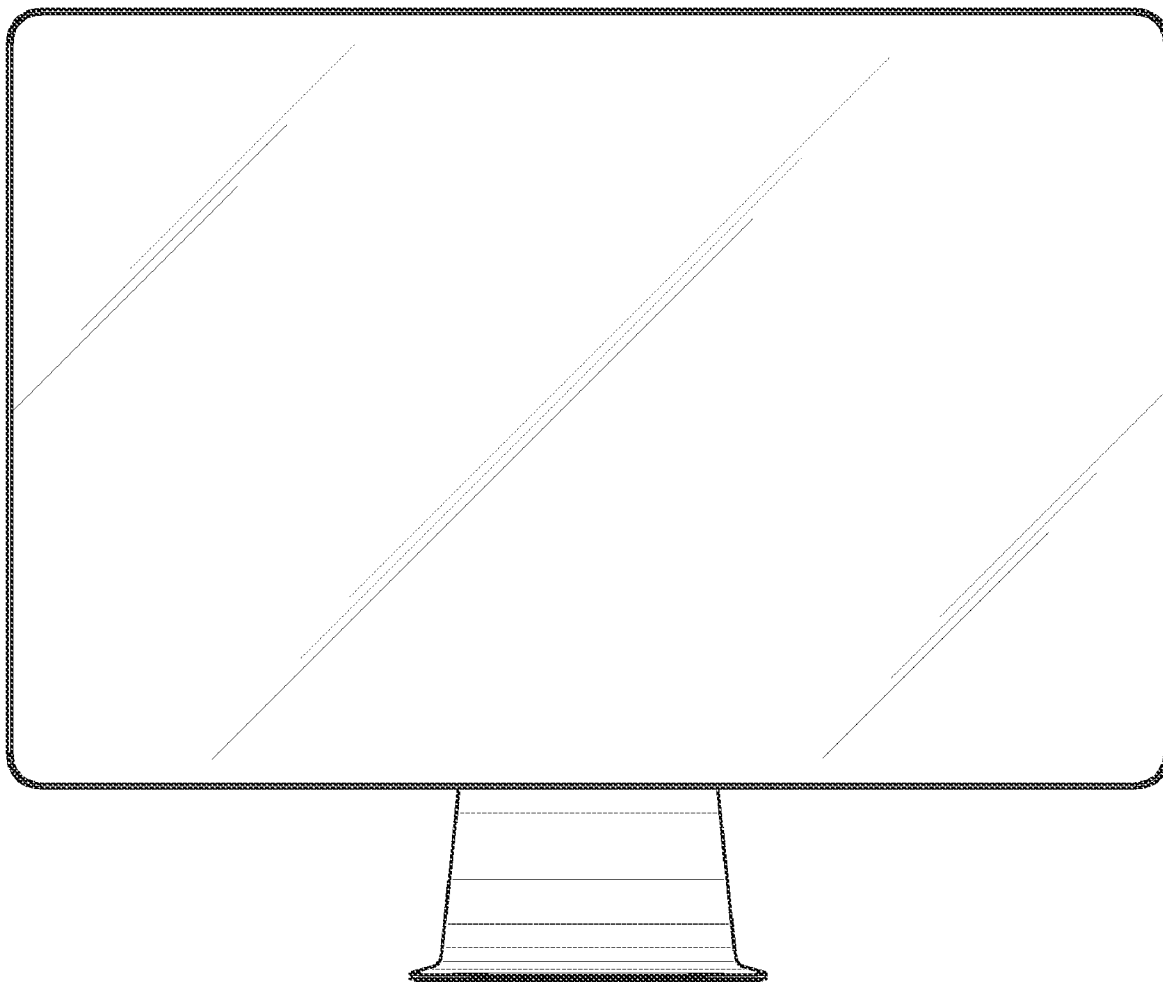


Fig. 2

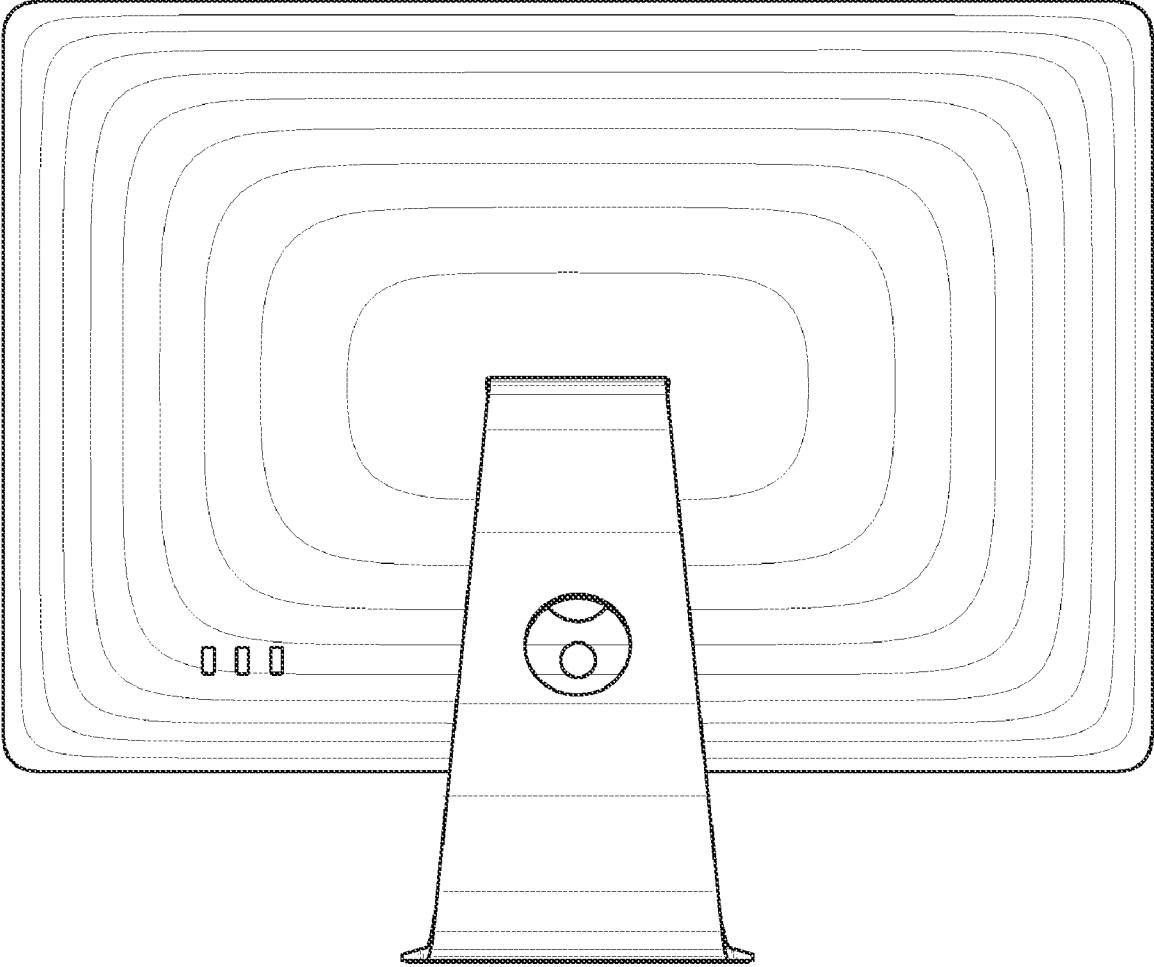


Fig. 3

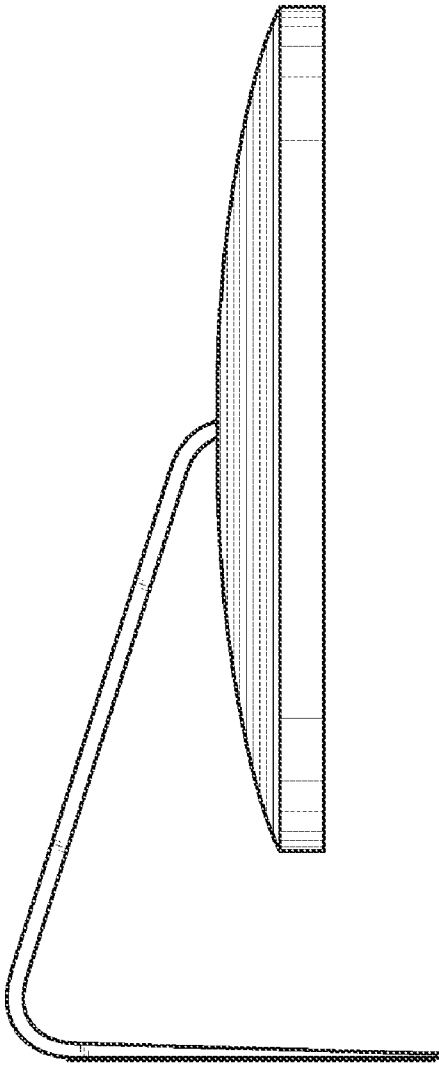


Fig. 4

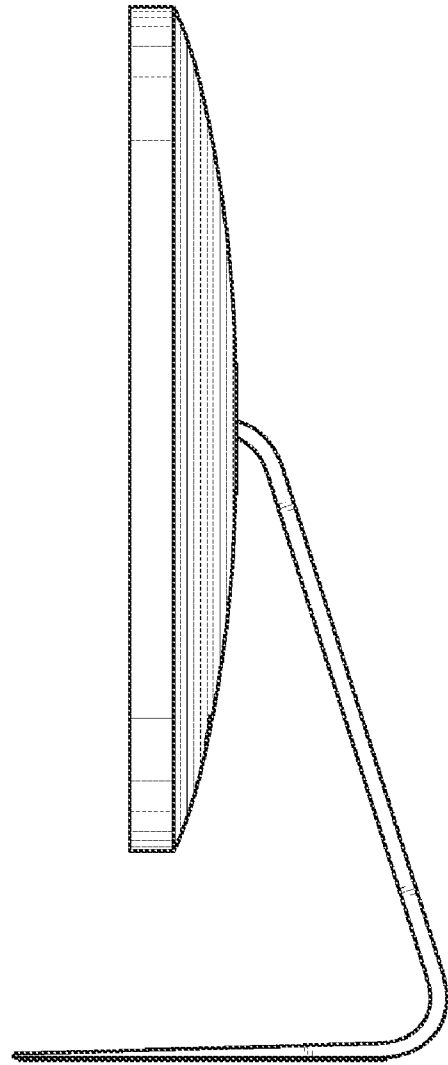


Fig. 5

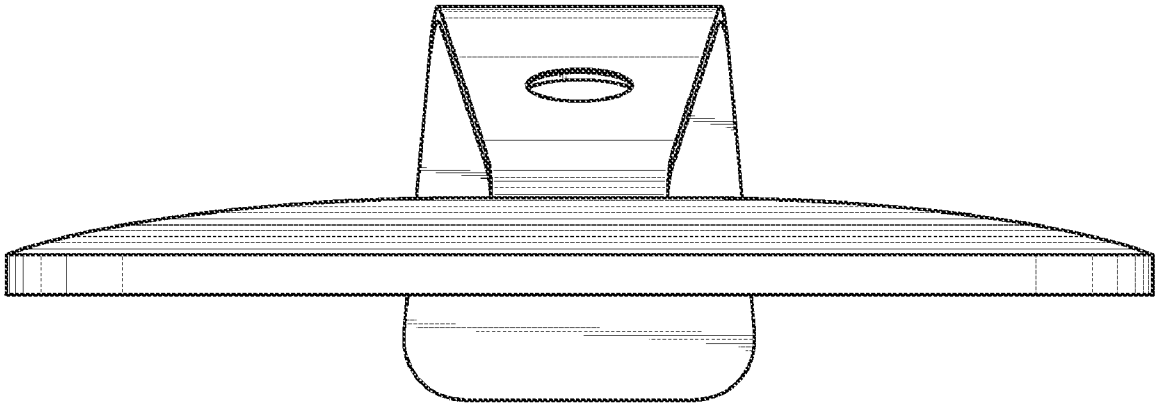


Fig. 6

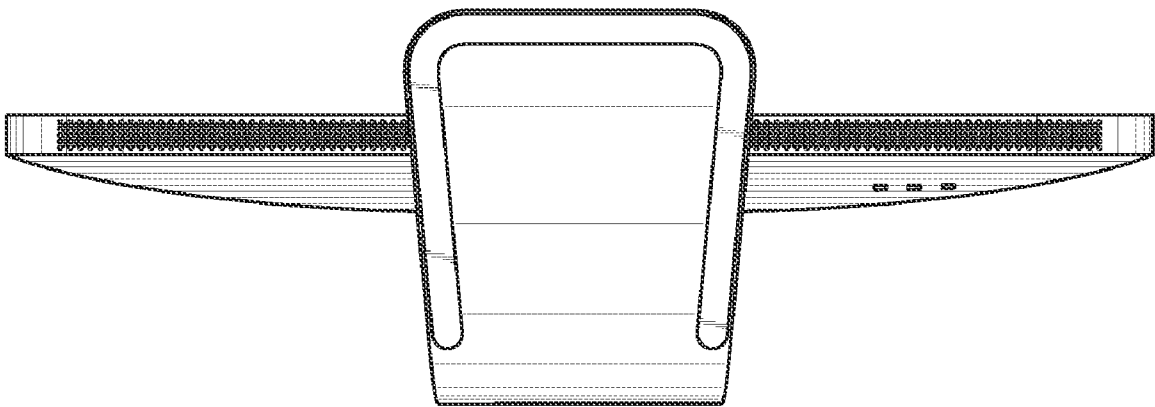


Fig. 7

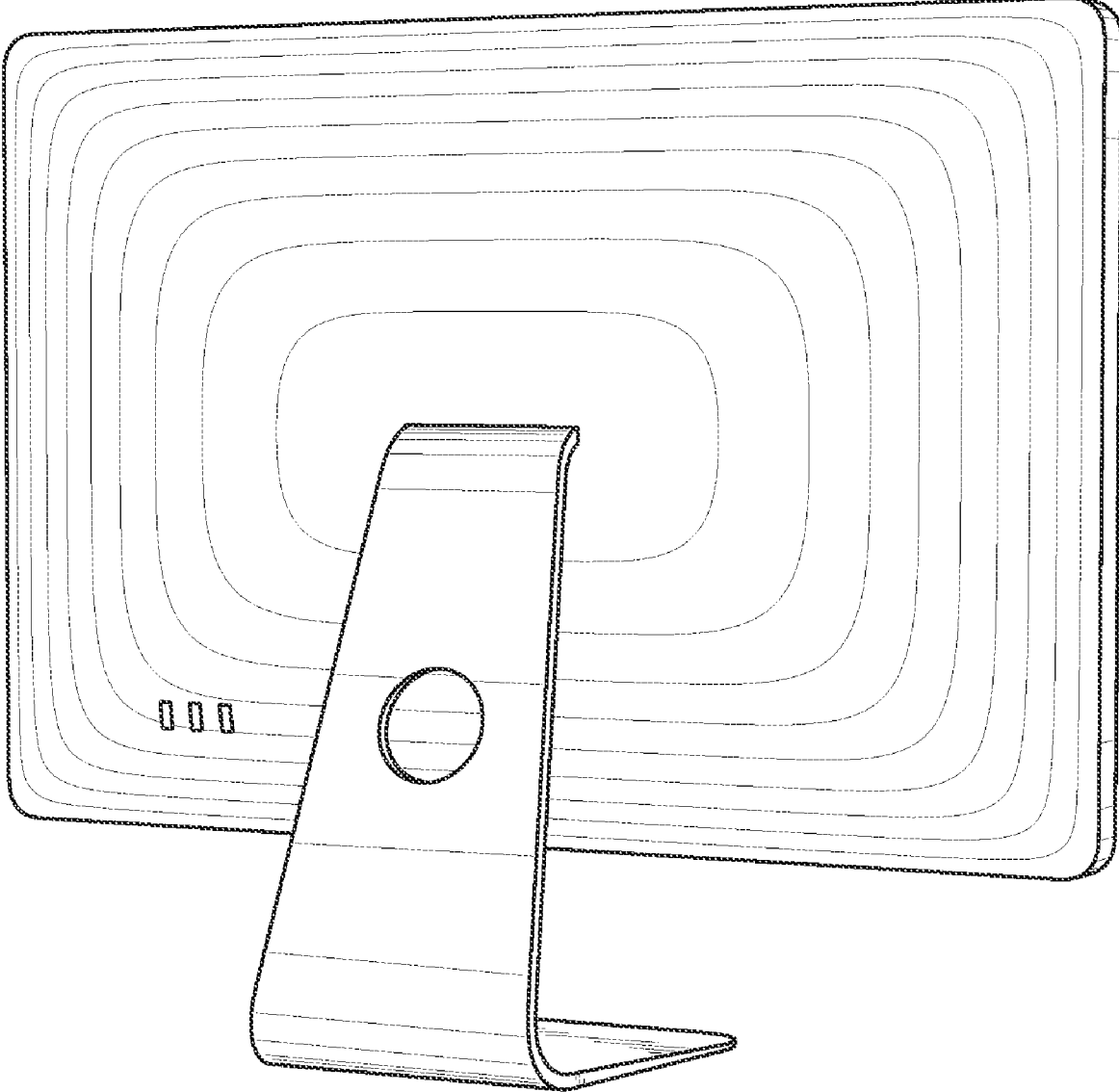


Fig. 8