



US00D674058S

(12) **United States Design Patent**
Yu

(10) **Patent No.:** **US D674,058 S**

(45) **Date of Patent:** **** Jan. 8, 2013**

(54) **PIPE CONNECTOR WITHOUT THREADED STRUCTURES**

(75) Inventor: **Vincent Yu**, Changhua County (TW)

(73) Assignee: **Bitspower International Co., Ltd.**,
Changhua County (TW)

(**) Term: **14 Years**

(21) Appl. No.: **29/419,788**

(22) Filed: **May 1, 2012**

(51) **LOC (9) Cl.** **23-01**

(52) **U.S. Cl.** **D23/262**

(58) **Field of Classification Search** D23/259,
D23/262; 285/34-35, 38, 148, 144.1, 145.2,
285/148.1, 272, 322

See application file for complete search history.

(56) **References Cited**

U.S. PATENT DOCUMENTS

D336,510	S	*	6/1993	Sawtelle	D23/262
D392,722	S	*	3/1998	Kurz	D23/262
6,113,156	A	*	9/2000	Bea	285/140.1
D517,667	S	*	3/2006	Sener et al.	D23/262
D561,304	S	*	2/2008	Vansell et al.	D23/262
D570,457	S	*	6/2008	Brown	D23/262
7,497,484	B2	*	3/2009	Ziman	285/402
D599,894	S	*	9/2009	Price et al.	D23/262
D637,693	S	*	5/2011	Riedel	D23/209
D637,697	S	*	5/2011	Steiner	D23/262
D648,008	S	*	11/2011	Percoco et al.	D23/262
D649,228	S	*	11/2011	Drenth	D23/259

2006/0066100	A1	*	3/2006	Nakashima et al.	285/305
2008/0277923	A1	*	11/2008	Brandt et al.	285/34
2012/0133131	A1	*	5/2012	Chen	285/389
2012/0153609	A1	*	6/2012	McMiles	285/18

* cited by examiner

Primary Examiner — Eric Goodman

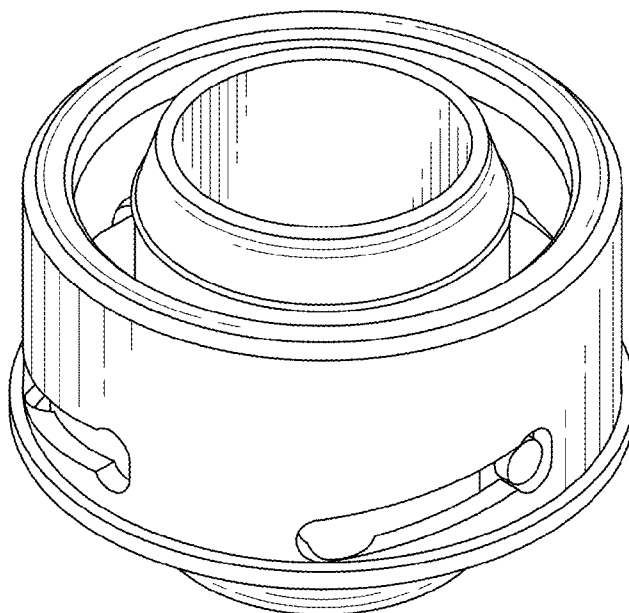
(57) **CLAIM**

The ornamental design for a pipe connector without threaded structures, as shown (and described).

DESCRIPTION

FIG. 1 is a perspective view of a pipe connector without threaded structures showing my new design;
 FIG. 2 is a front elevational view thereof;
 FIG. 3 is a rear elevational view thereof;
 FIG. 4 is a left side view thereof;
 FIG. 5 is a right side view thereof;
 FIG. 6 is a top plan view thereof;
 FIG. 7 is a bottom plan view thereof;
 FIG. 8 is an exploded view for showing all inner structures of the pipe connector without threaded structures;
 FIG. 9 is an assembled view to show that the pipe connector without threaded structures is unlocked; and,
 FIG. 10 is an assembled view to show that the pipe connector without threaded structures is locked.
 The ornamental design which is claimed is shown in solid lines in the drawings.
 The broken line showing is included for the purpose of illustrating environment and forms no part of the claimed design.

1 Claim, 7 Drawing Sheets



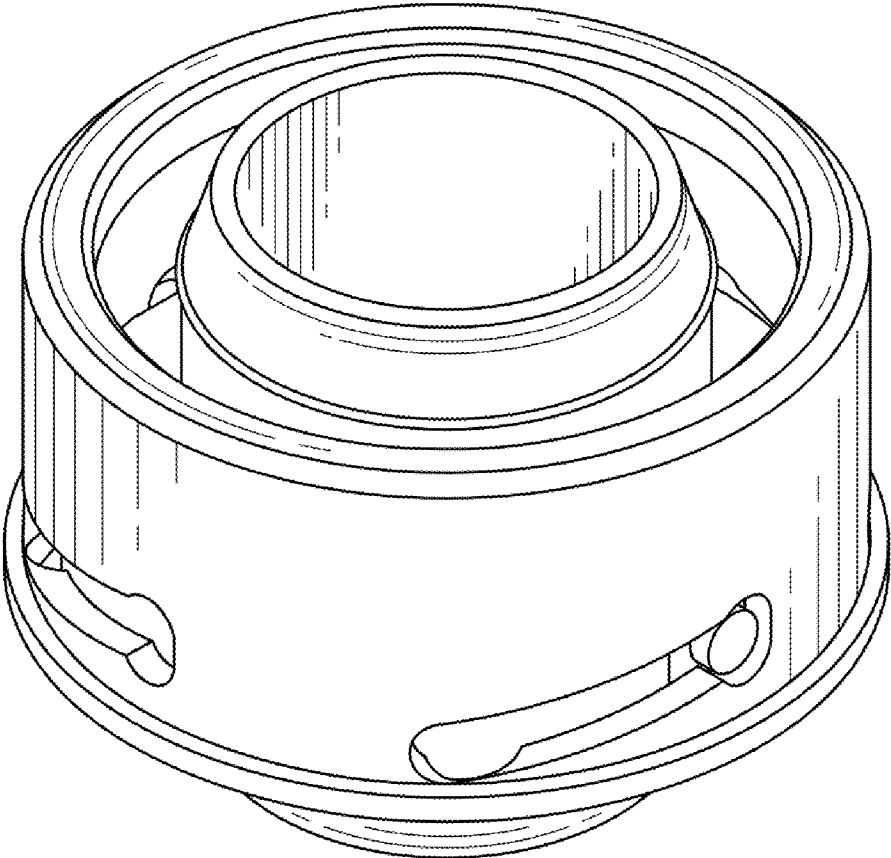


FIG. 1

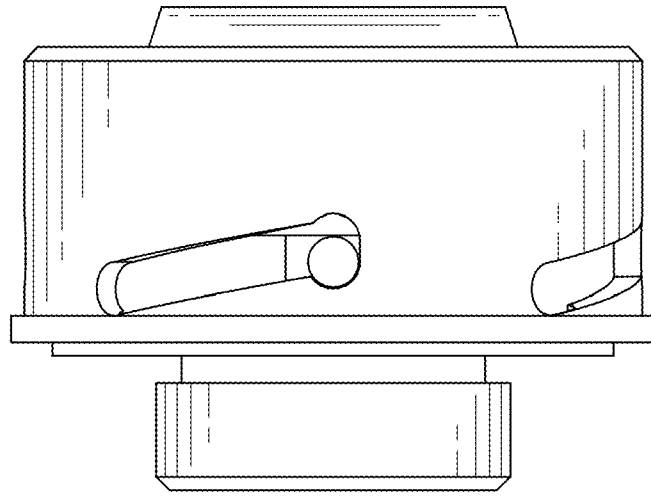


FIG. 2

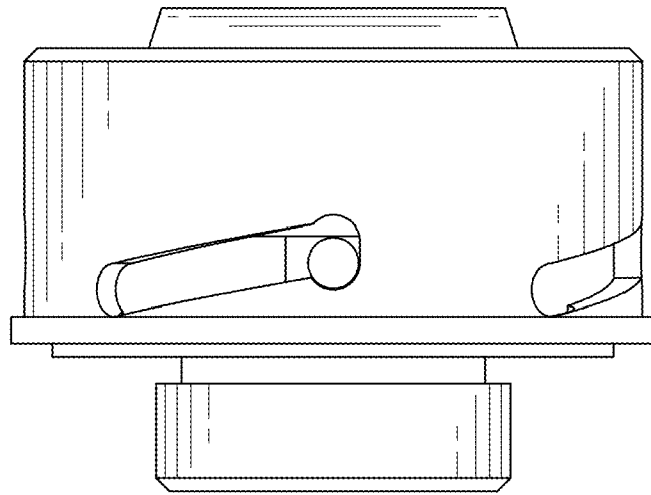


FIG. 3

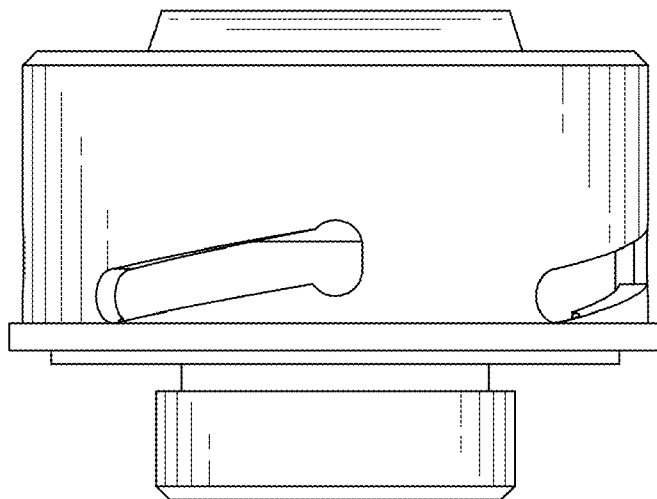


FIG. 4

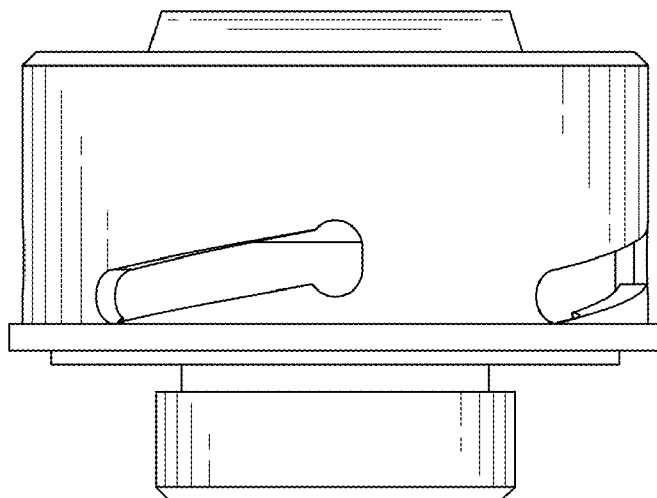


FIG. 5

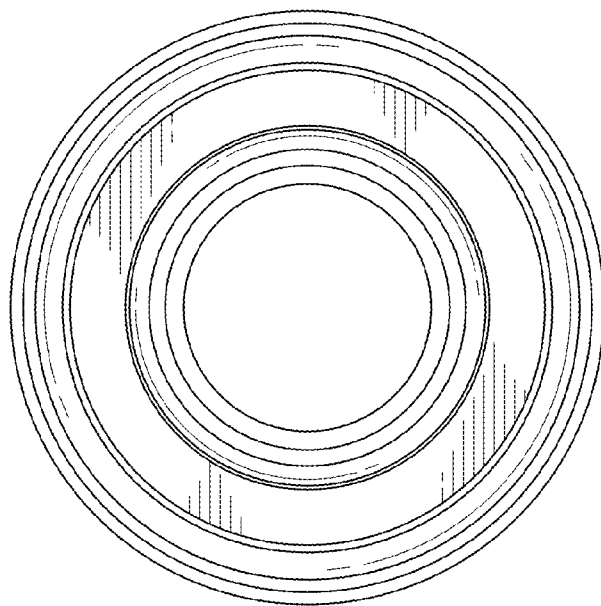


FIG. 6

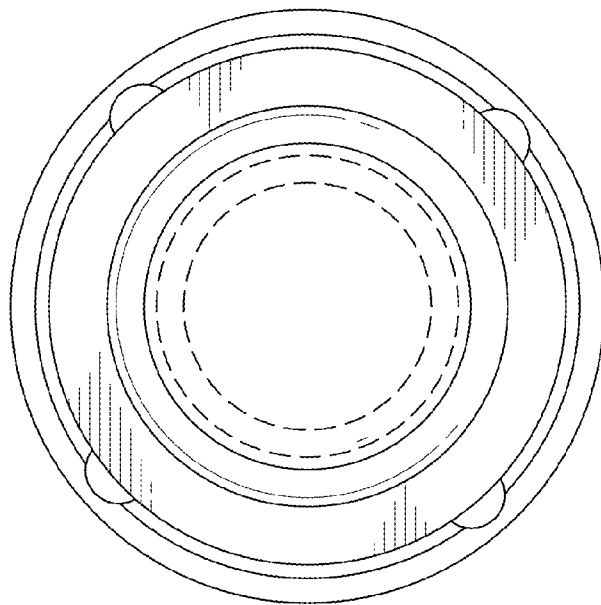


FIG. 7

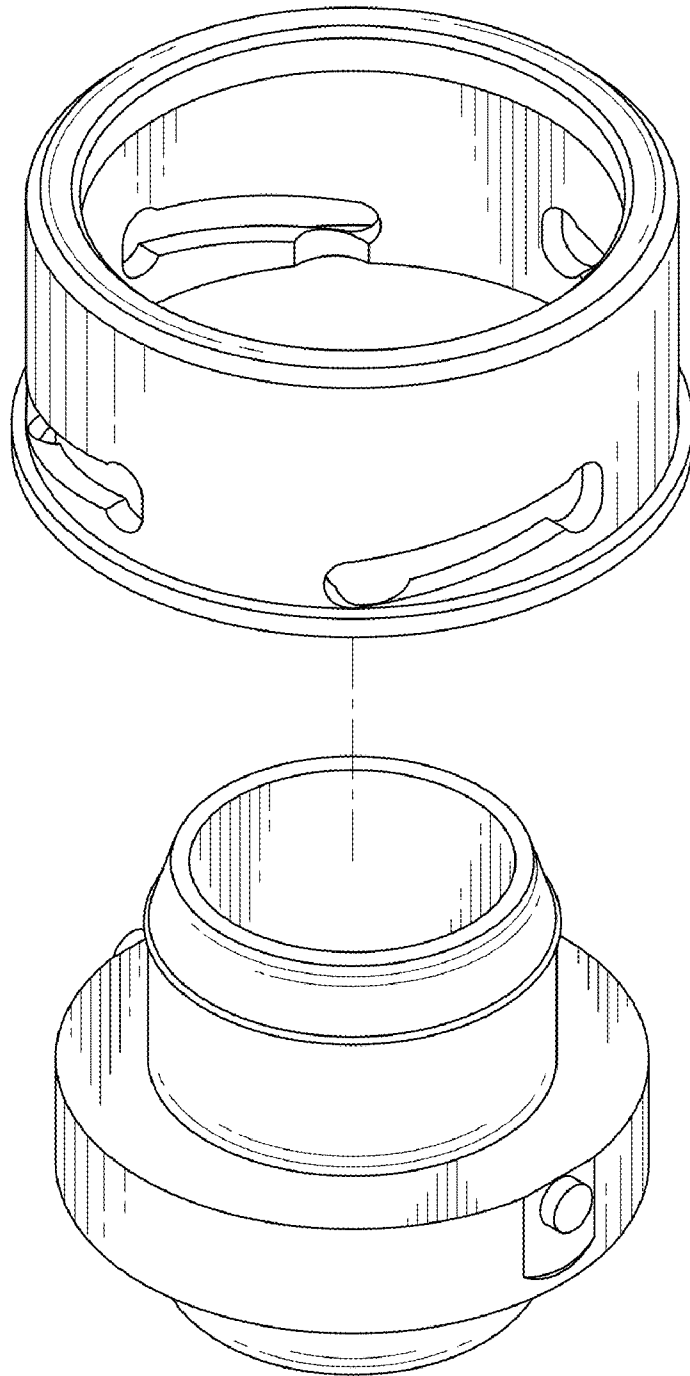


FIG. 8

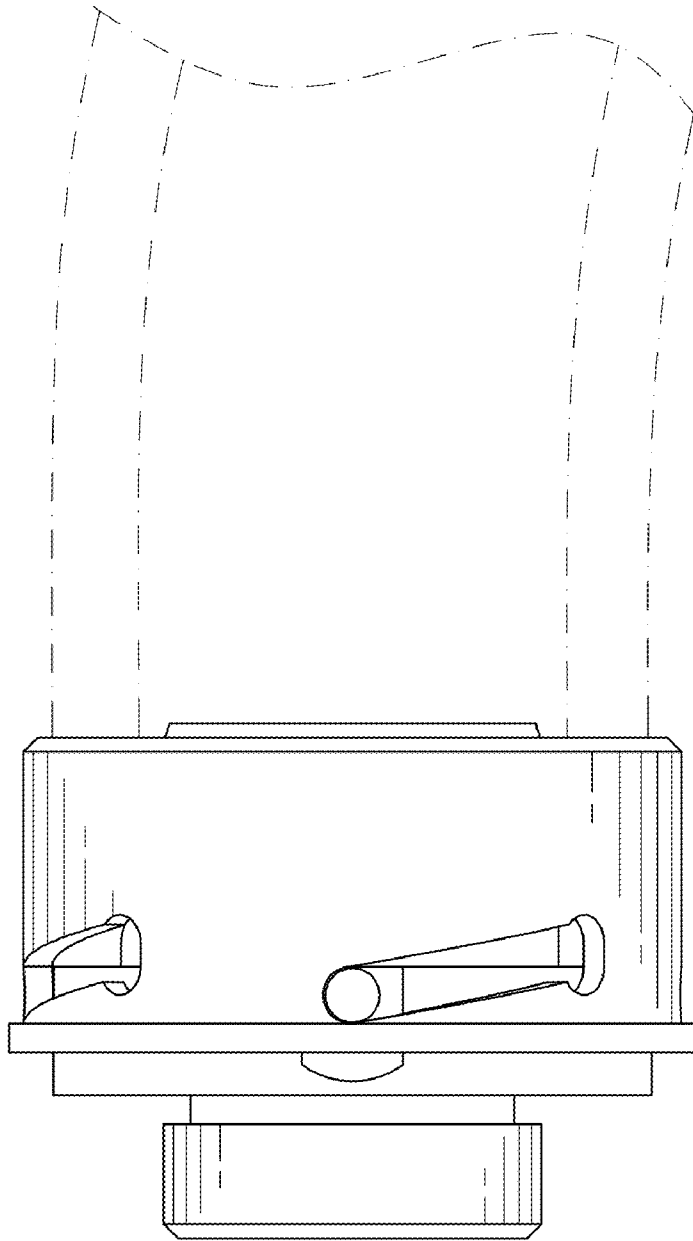


FIG. 9

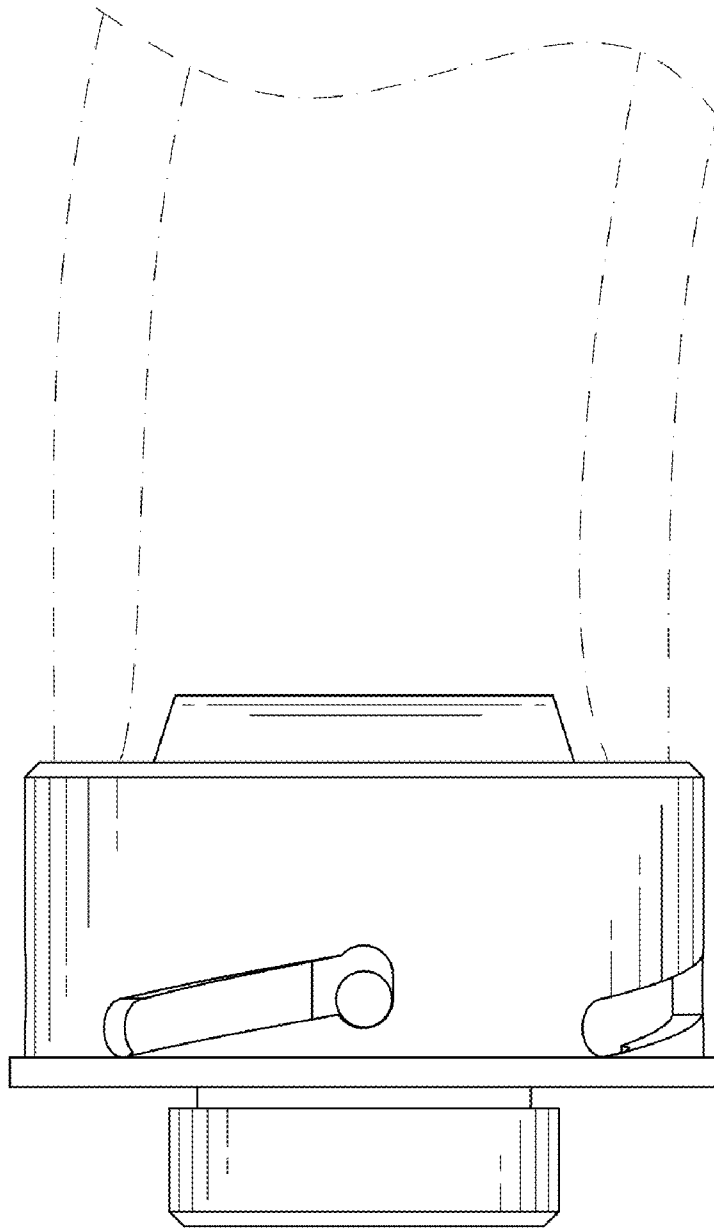


FIG. 10