

(21) Application No: 1109906.6
(22) Date of Filing: 14.12.2009
(30) Priority Data:
(31) 20085349 (32) 22.12.2008 (33) NO
(86) International Application Data:
PCT/NO2009/000430 No 14.12.2009
(87) International Publication Data:
WO2010/074581 En 01.07.2010

(51) INT CL:
E21B 49/10 (2006.01) E21B 37/00 (2006.01)
(56) Documents Cited by ISA:
US 20080083273 A1 US 20030098156 A1
(58) Field of Search by ISA:
INT CL E21B
Other: EPODOC, WPI, FULL-TEXT PATENT
DATABASES, PATGRANSK

(71) Applicant(s):
Shore-Tec Consult AS
PO BOX Postboks 607, Hafslund N-4090, Norway
(72) Inventor(s):
Rune Woie
Thor Hegre
(74) Agent and/or Address for Service:
Harrison Goddard Foote
Belgrave Hall, Belgrave Street, LEEDS, LS2 8DD,
United Kingdom

(54) Title of the Invention: **Data gathering device and method of removing contaminations from a borehole wall of a well before in situ gathering of formation data from the borehole wall**
Abstract Title: **Data gathering device and method of removing contaminations from a borehole wall of a well before in situ gathering of formation data from the borehole wall**

(57) Data gathering device (8, 8', 8'') for in situ gathering of formation data from a borehole wall (28) of a well in an open borehole (2), wherein the data gathering device (8, 8', 8'') comprises: - at least one movable measuring probe (26) structured to be movable out from a well pipe (4) to be able to establish contact with the borehole wall (28); - at least one activation device (30, 32) structured in a manner allowing it to cause said measuring probe movement; - at least one measuring sensor (24) which, for measuring at least one formation-associated parameter, is connected to the measuring probe (26); and - at least one data registration device (34, 40) which, for registration of measured parameters, is connected to the measuring sensor (24). The distinctive characteristic of the data gathering device (8, 8', 8'') is that it also comprises at least one suction chamber hydraulically connected to the measuring probe (26); - wherein the suction chamber is structured in a manner allowing it to carry out non-motorized suction of contaminations (22) from the borehole wall (28) before the gathering of formation data is initiated; and - wherein the suction chamber is connected to a release means for controlled activation of said suction. This suction removes said contaminations (22) and thus brings about the best possible contact with the borehole wall (28) during gathering of formation data.

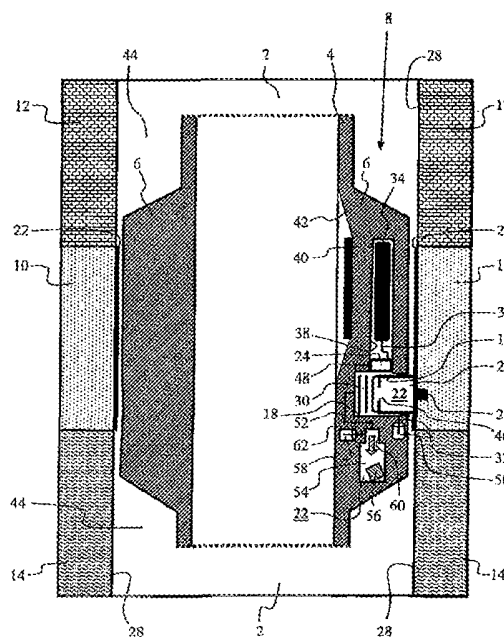


Fig. 3