



US0D1010219S

(12) **United States Design Patent**
Pan

(10) **Patent No.:** **US D1,010,219 S**

(45) **Date of Patent:** **** Jan. 2, 2024**

(54) **DEPILATOR**

(71) Applicant: **SHENZHEN ULIKE SMART ELECTRONICS CO., LTD,**
Guangdong (CN)

(72) Inventor: **Yuping Pan,** Guangdong (CN)

(73) Assignee: **Shenzhen Ulike Smart Electronics Co., Ltd,** Shenzhen (CN)

(**) Term: **15 Years**

(21) Appl. No.: **29/767,886**

(22) Filed: **Jan. 26, 2021**

(30) **Foreign Application Priority Data**

Sep. 4, 2020 (CN) 202030519239.6

(51) **LOC (14) Cl.** **28-03**

(52) **U.S. Cl.**
USPC **D28/44.1;** D24/214; D24/209

(58) **Field of Classification Search**
USPC D28/10, 44, 44.1, 49-54; D24/133, 187,
D24/200, 209, 214
CPC A45D 26/00; A45D 26/0004-0009; A45D
26/0057; A45D 26/0071; A45D
2026/0095; B26B 19/00; B26B 19/10;
B26B 19/12; B26B 19/02; B26B 19/04;
B26B 19/38; B26B 19/3873
See application file for complete search history.

(56) **References Cited**

U.S. PATENT DOCUMENTS

D776,874 S * 1/2017 Kling D24/209
D789,604 S * 6/2017 Levi D24/209

D820,464 S * 6/2018 Gabriele D24/209
D872,362 S * 1/2020 Long D24/209
D899,688 S * 10/2020 Li D24/209
D924,206 S * 7/2021 Yoon D14/218
D939,142 S * 12/2021 Liu D24/209
D940,954 S * 1/2022 Huang D24/209
D948,121 S * 4/2022 Yao D24/209
D965,880 S * 10/2022 Zhou D24/209
2022/0192745 A1 * 6/2022 Pan A61B 18/00

OTHER PUBLICATIONS

Ulike Rose IPL Hair Removal, first available on Aug. 5, 2021 on amazon.co.uk, retrieved from: https://www.amazon.co.uk/Ulike-Removal-Painless-Permanent-Rejuvenation/dp/B09BN5R7PM/ref=sr_1_55?crd=3E0EEEKYOWIB&keywords=laser=hair=removal=device&qdid=1677259355&sprefix=laser=hair=r%2Caps%2C961&sr=8-55.*

* cited by examiner

Primary Examiner — Alison M Ofstun

(74) *Attorney, Agent, or Firm* — Hauptman Ham, LLP

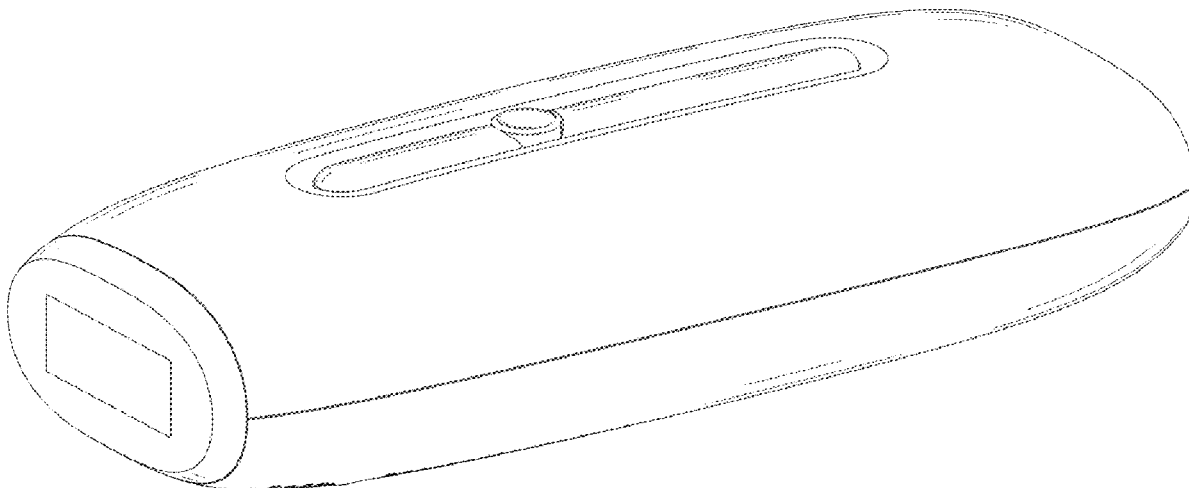
(57) **CLAIM**

The ornamental design for a depilator, as shown.

DESCRIPTION

FIG. 1 is a front view of a depilator showing my new design; FIG. 2 is a rear view thereof; FIG. 3 is a left side view thereof; FIG. 4 is a right side view thereof; FIG. 5 is a top view thereof; FIG. 6 is a bottom view thereof; FIG. 7 is a bottom, front, right perspective view thereof; and, FIG. 8 is a bottom, rear, left perspective view thereof.

1 Claim, 6 Drawing Sheets



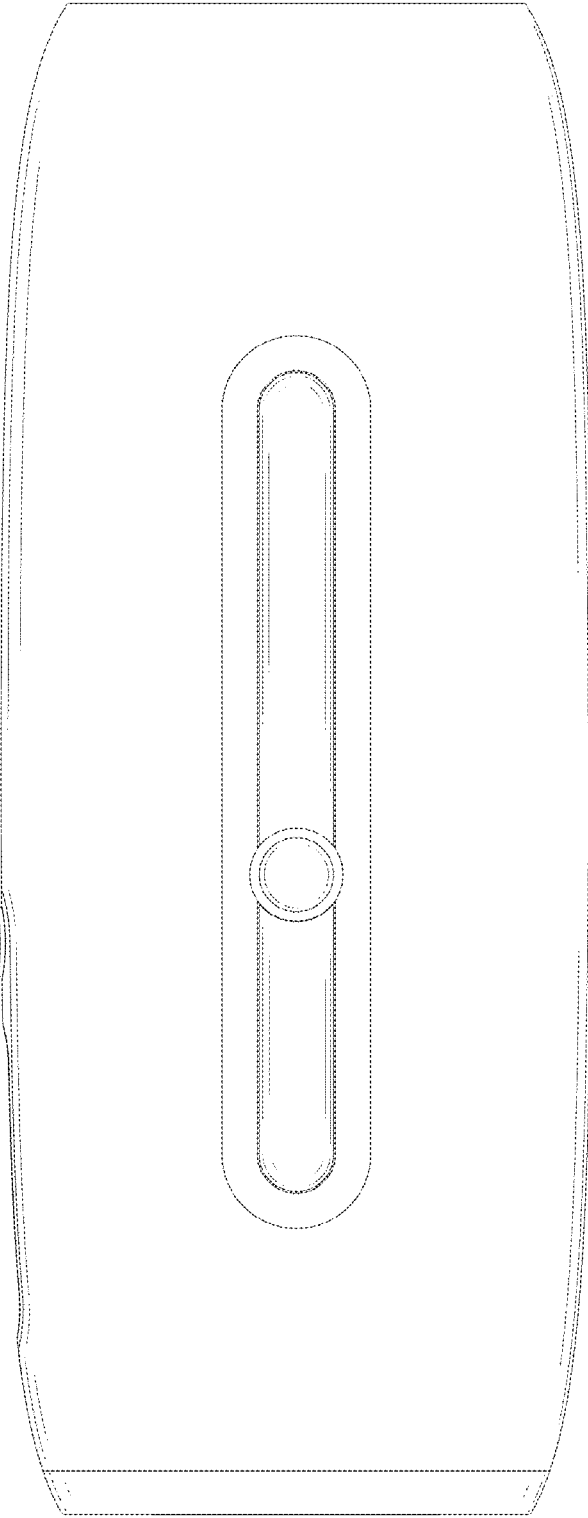


FIG. 1

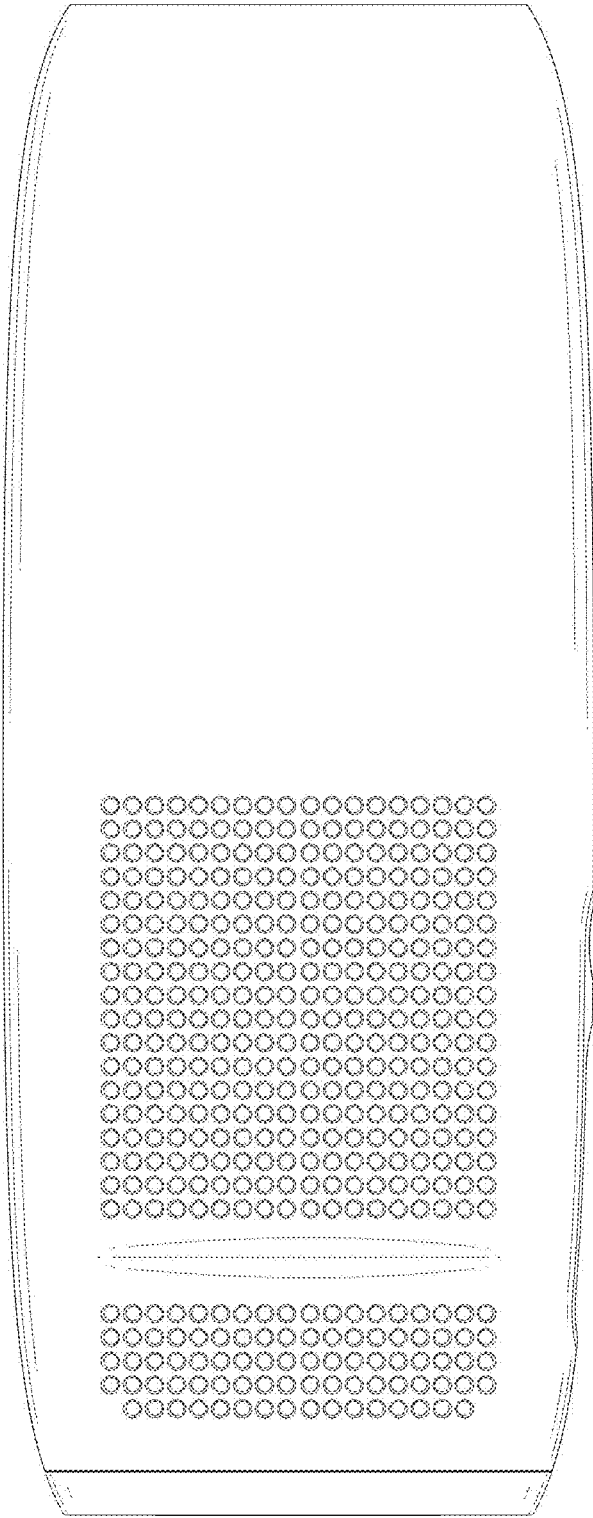


FIG. 2

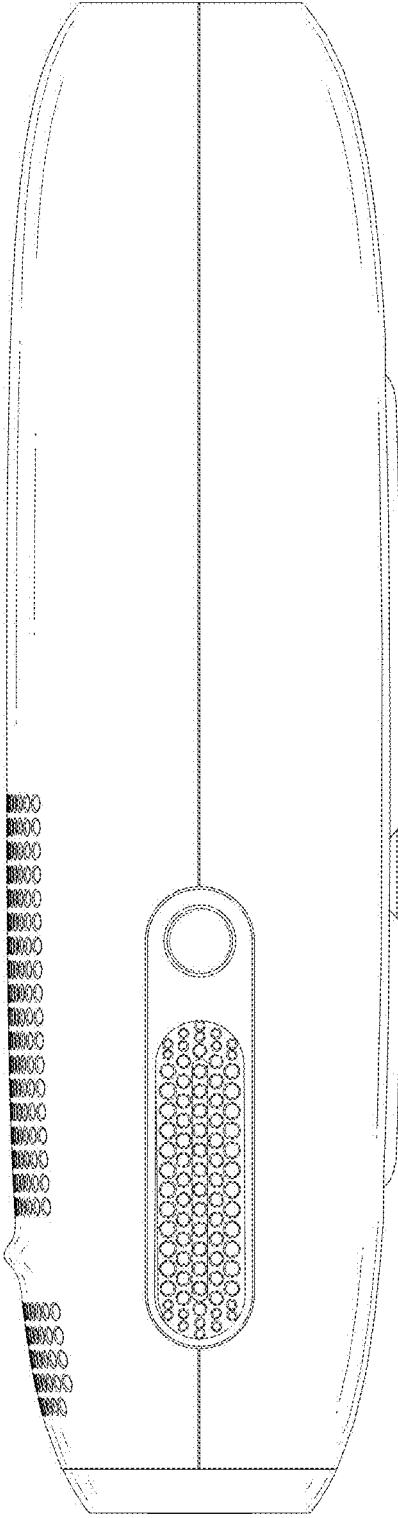


FIG. 3

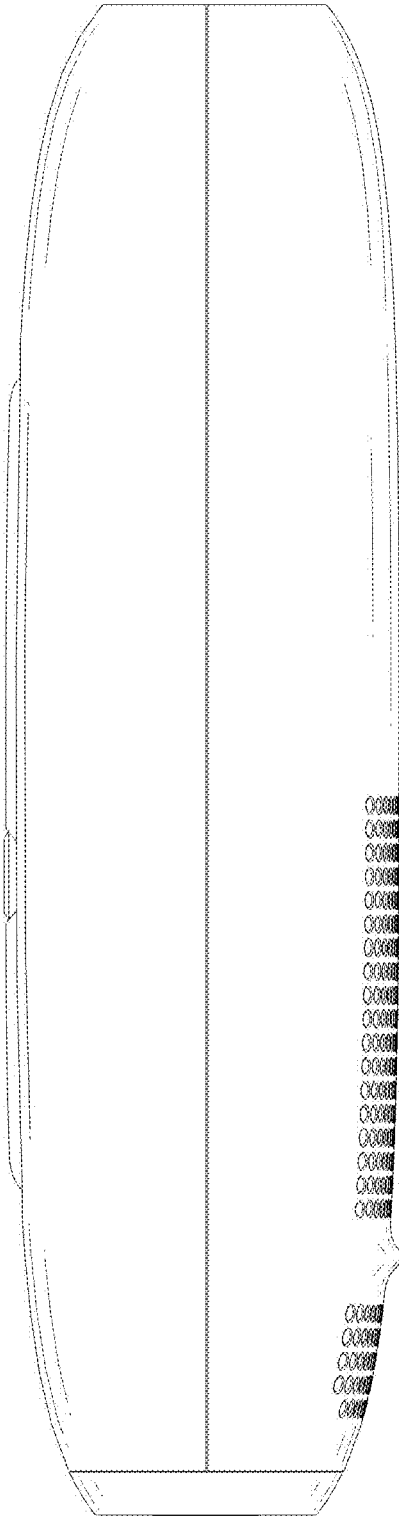


FIG. 4

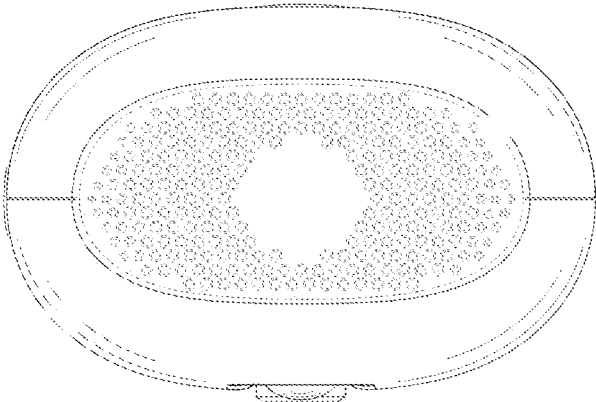


FIG. 5

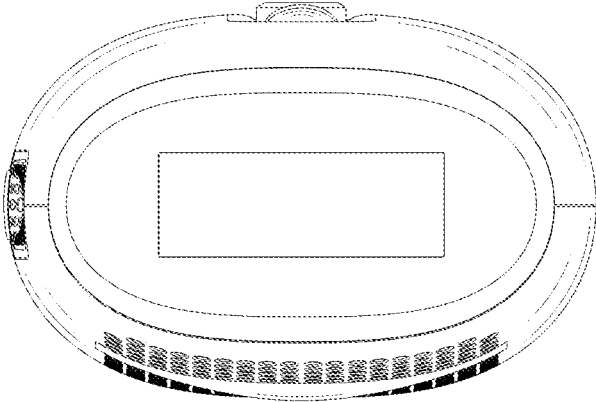


FIG. 6

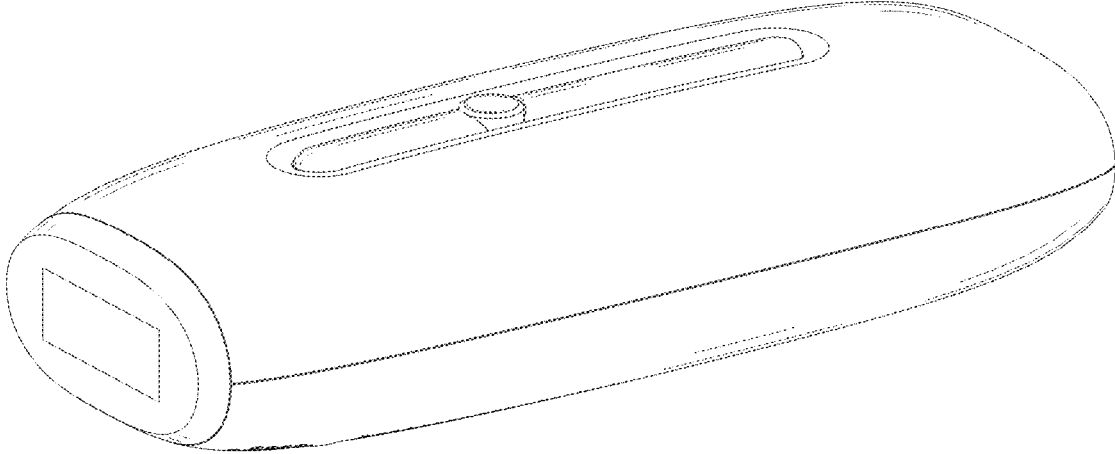


FIG. 7

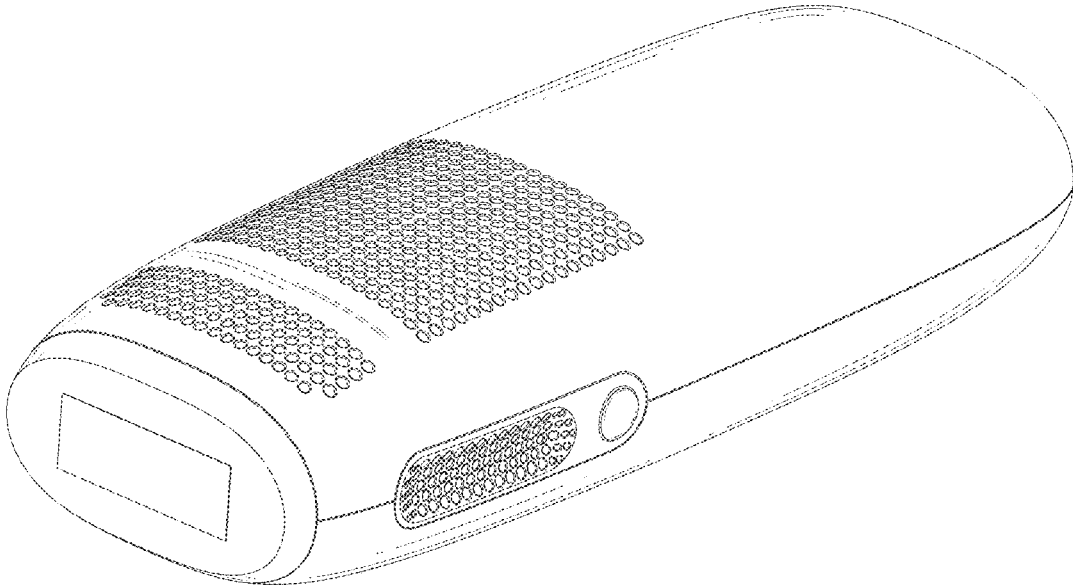


FIG. 8