



(12) **United States Design Patent**  
**Jakubowski et al.**

(10) **Patent No.:** **US D911,637 S**  
(45) **Date of Patent:** **\*\* Feb. 23, 2021**

(54) **PET RAMP**

- (71) Applicant: **Vermont Juvenile Furniture Mfg., Inc.**, West Rutland, VT (US)
- (72) Inventors: **Chris Jakubowski**, Rutland, VT (US);  
**Todd Jakubowski**, Rutland, VT (US);  
**Kristen Jakubowski**, Rutland, VT (US)
- (73) Assignee: **Vermont Juvenile Furniture Mfg., Inc.**, West Rutland, VT (US)

- (\*\*) Term: **15 Years**
- (21) Appl. No.: **29/748,988**
- (22) Filed: **Sep. 2, 2020**

**Related U.S. Application Data**

- (62) Division of application No. 29/685,120, filed on Mar. 26, 2019.
- (51) **LOC (13) Cl.** ..... **30-99**
- (52) **U.S. Cl.**  
USPC ..... **D30/199**
- (58) **Field of Classification Search**  
USPC ..... D30/199, 119, 160, 108, 118, 158, 161, D30/109, 117; 119/847, 849, 168, 51.01, 119/468, 484, 482, 412, 496-498, 119/706-711, 28.5, 165, 702, 703, 705, 119/485, 479, 537, 848; 182/180.1, 94; 160/213; 52/7, 183; 14/71.1, 69.5, 14/386-392; D34/32; 414/537, 480; 5/413 R; 108/156; 296/61  
CPC .... A01K 15/027; A01K 15/024; A01K 15/00; A01K 15/02; A01K 29/00; A01K 1/02; A01K 1/035; A01K 1/0272; E04F 11/002; E04F 11/00; E04F 2011/005; E04F 2011/007; E04G 27/00; B65G 69/28; B65G 69/30; Y10T 16/557; B60R 3/002; B60R 3/005; B60R 3/007; B60R 3/02; B60R 3/00

See application file for complete search history.

(56) **References Cited**

**U.S. PATENT DOCUMENTS**

- 3,846,860 A \* 11/1974 Kummerman ..... B63B 27/143  
14/71.1
- 4,528,711 A \* 7/1985 Packer ..... B65G 69/30  
14/69.5
- 4,920,597 A \* 5/1990 Hamilton ..... E04B 1/34347  
14/69.5
- D316,771 S \* 5/1991 Murray ..... D34/32
- 5,324,004 A \* 6/1994 Richardson ..... B66F 7/243  
254/88

(Continued)

*Primary Examiner* — Susan Moon Lee

(74) *Attorney, Agent, or Firm* — Volpe Koenig

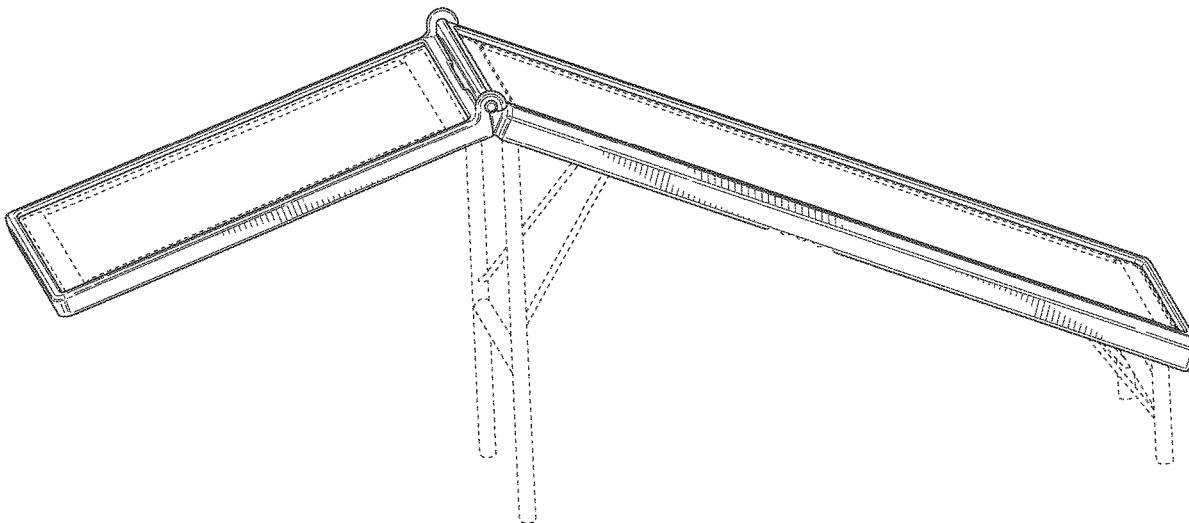
(57) **CLAIM**

The ornamental design for a pet ramp, as shown and described.

**DESCRIPTION**

FIG. 1 is a side perspective view of a pet ramp in accordance with our new design;  
 FIG. 2 is a front view of the pet ramp shown in FIG. 1;  
 FIG. 3 is a rear view of the pet ramp shown in FIG. 1;  
 FIG. 4 is a first side view of the pet ramp shown in FIG. 1;  
 FIG. 5 is a second side view of the pet ramp shown in FIG. 1;  
 FIG. 6 is a top view of the pet ramp shown in FIG. 1;  
 FIG. 7 is a bottom view of the pet ramp shown in FIG. 1;  
 FIG. 8 is a bottom perspective view of the pet ramp shown in FIG. 1 in a collapsed position; and,  
 FIG. 9 is a top perspective view of the pet ramp shown in FIG. 1 in the collapsed position.  
 All broken lines appearing in the drawings are for illustrative purposes and/or represent unclaimed subject matter and form no part of the claimed design.

**1 Claim, 8 Drawing Sheets**



(56)	References Cited						
	U.S. PATENT DOCUMENTS						
D361,642	S *	8/1995	Smith	.....	D34/32		
D373,885	S *	9/1996	Holland, Jr.	.....	D34/32		
D382,676	S *	8/1997	Holbrook	.....	D30/119		
5,870,788	A	2/1999	Witkin				
6,010,298	A *	1/2000	Cohn	.....	A61G 3/061		
					414/522		
D420,175	S *	2/2000	Garrels, Jr.	.....	D30/119		
6,179,545	B1 *	1/2001	Petersen, Jr.	.....	A61G 3/061		
					14/71.7		
6,343,908	B1 *	2/2002	Oudsten	.....	A61G 3/061		
					414/537		
6,430,769	B1 *	8/2002	Allen	.....	A61G 3/061		
					14/69.5		
6,484,343	B1	11/2002	Phillips				
6,484,344	B1 *	11/2002	Cooper	.....	A61G 3/061		
					14/71.1		
6,536,064	B1 *	3/2003	Swink	.....	B60P 1/431		
					14/69.5		
6,602,041	B2 *	8/2003	Lewis	.....	A61G 3/061		
					414/537		
6,715,177	B1 *	4/2004	Lagergren-Julander	.....			
					B60P 1/433		
					119/847		
6,968,810	B2	11/2005	Bishop				
7,004,308	B2	2/2006	Parks et al.				
7,043,789	B2 *	5/2006	Morrish	.....	A61G 3/061		
					14/69.5		
7,222,838	B1	5/2007	Ji				
7,225,492	B2	6/2007	Pratt				
7,264,433	B2 *	9/2007	Navarro	.....	B60P 1/431		
					414/537		
7,299,517	B1 *	11/2007	Adinolfe	.....	B65G 69/30		
					14/69.5		
7,326,024	B2 *	2/2008	Cohn	.....	B60P 1/4457		
					414/546		
7,347,476	B2 *	3/2008	Luehr	.....	B60J 5/108		
					296/146.8		
7,467,436	B1 *	12/2008	Jones	.....	E04F 11/002		
					14/69.5		
7,493,874	B2 *	2/2009	Simpson	.....	A01K 1/0272		
					119/849		
7,526,826	B2 *	5/2009	Bailie	.....	B65G 69/30		
					14/69.5		
7,533,432	B2 *	5/2009	Morris	.....	A61G 3/061		
					14/71.3		
7,533,433	B2 *	5/2009	Morris	.....	A61G 3/061		
					14/71.3		
7,533,434	B2 *	5/2009	Morris	.....	A61G 3/061		
					14/71.3		
D599,062	S *	8/2009	Jakubowski	.....	D30/199		
D604,018	S *	11/2009	Simpson	.....	D30/160		
7,621,236	B2	11/2009	Steffey et al.				
7,681,272	B2 *	3/2010	Morris	.....	A61G 3/061		
					14/71.3		
7,870,630	B2 *	1/2011	Johnson	.....	E01D 19/00		
					14/71.1		
7,870,631	B2 *	1/2011	Morris	.....	A61G 3/061		
					14/71.3		
8,032,963	B2 *	10/2011	Morris	.....	B60R 3/02		
					14/71.3		
D653,820	S *	2/2012	Haaf	.....	D30/160		
8,117,994	B1 *	2/2012	Goodlow	.....	A01K 1/035		
					119/849		
8,122,552	B2 *	2/2012	Morris	.....	A61G 3/061		
					14/71.3		
8,122,553	B1 *	2/2012	Johnson	.....	B60P 1/433		
					14/71.3		
8,166,594	B1 *	5/2012	Morris	.....	B60P 1/433		
					14/71.3		
8,181,300	B1 *	5/2012	Johnson	.....	B60P 1/433		
					14/71.3		
8,230,539	B2 *	7/2012	Morris	.....	B60P 1/433		
					14/71.1		
8,250,693	B1 *	8/2012	Johnson	.....	B60P 1/433		
					14/71.3		
8,327,486	B2 *	12/2012	Fontaine	.....	B60P 1/433		
					14/71.1		
8,375,496	B1 *	2/2013	Johnson	.....	A61G 3/061		
					14/71.3		
8,402,660	B1 *	3/2013	Johnson	.....	B60P 1/433		
					29/897.2		
8,434,181	B1 *	5/2013	Johnson	.....	B65G 69/30		
					14/71.3		
8,469,831	B2	6/2013	Jobe				
8,561,549	B2 *	10/2013	Charbonneau	.....	B60J 5/108		
					105/348		
8,590,159	B1 *	11/2013	Johnson	.....	B65G 69/30		
					29/897.2		
D696,821	S *	12/2013	Haaf	.....	D30/160		
8,635,729	B1 *	1/2014	Johnson	.....	B60P 1/433		
					14/71.3		
8,695,141	B1 *	4/2014	Villareal	.....	B65G 69/30		
					14/69.5		
8,769,823	B1 *	7/2014	Johnson	.....	B60P 1/433		
					29/897.2		
D712,112	S *	8/2014	Leum	.....	D34/32		
8,869,333	B2 *	10/2014	Johnson	.....	B60P 1/433		
					14/71.3		
8,926,254	B2 *	1/2015	Pocobello	.....	A61G 3/061		
					414/537		
8,938,837	B1 *	1/2015	Johnson	.....	B60P 1/433		
					14/71.3		
D729,462	S *	5/2015	Jakubowski	.....	D30/199		
9,050,229	B1 *	6/2015	Morris	.....	A61G 3/061		
D736,484	S *	8/2015	Jakubowski	.....	D30/199		
D736,485	S	8/2015	Jakubowski et al.				
9,101,519	B2 *	8/2015	Smith	.....	A61G 5/08		
9,174,113	B2 *	11/2015	Thompson	.....	E01C 13/003		
9,271,883	B2 *	3/2016	Johnson	.....	A61G 3/061		
D756,573	S *	5/2016	Jakubowski	.....	D30/199		
9,440,808	B2	9/2016	Giemza et al.				
9,441,333	B2	9/2016	McIntosh				
9,694,997	B2	7/2017	Lopez				
9,775,326	B1 *	10/2017	MacNeil	.....	A01K 1/035		
9,776,547	B2	10/2017	Lin				
9,920,535	B2 *	3/2018	Belman	.....	E04F 11/002		
10,190,310	B2 *	1/2019	Duffield	.....	E04B 1/34815		
D846,813	S *	4/2019	MacNeil	.....	D30/119		
D848,079	S *	5/2019	MacNeil	.....	D30/119		
D871,682	S *	12/2019	MacNeil	.....	D30/119		
D891,002	S *	7/2020	MacNeil	.....	D30/119		
2002/0197141	A1 *	12/2002	Cohn	.....	B60P 1/431		
					414/537		
2003/0007853	A1 *	1/2003	Cohn	.....	B60R 3/02		
					414/537		
2003/0140433	A1	7/2003	Rieber				
2003/0213072	A1 *	11/2003	Myrick	.....	A01K 1/035		
					14/69.5		
2004/0096304	A1 *	5/2004	Lewis	.....	B60P 1/433		
					414/537		
2004/0136820	A1 *	7/2004	Cohn	.....	B60P 1/43		
					414/537		
2005/0055783	A1 *	3/2005	Peschmann	.....	B65G 69/30		
					14/69.5		
2005/0115522	A1 *	6/2005	Bishop	.....	A01K 1/035		
					119/847		
2006/0191490	A1 *	8/2006	Lamstein	.....	A01K 15/024		
					119/706		
2006/0220410	A1 *	10/2006	Luehr	.....	B62D 33/03		
					296/61		
2006/0245883	A1 *	11/2006	Fontaine	.....	B60P 1/431		
					414/537		
2007/0074675	A1	4/2007	Tu				
2007/0234491	A1 *	10/2007	Bailie	.....	E04G 27/00		
					14/69.5		
2008/0105215	A1 *	5/2008	Simpson	.....	A01K 1/035		
					119/849		

# US D911,637 S

Page 3

(56)

## References Cited

### U.S. PATENT DOCUMENTS

2008/0187425	A1*	8/2008	Morris	.....	A61G 3/061	414/537
2008/0196675	A1*	8/2008	Murrer	.....	A01K 15/024	119/706
2008/0271267	A1*	11/2008	Morris	.....	A61G 3/061	14/71.1
2008/0271268	A1*	11/2008	Johnson	.....	A61G 3/061	14/71.1
2009/0035113	A1*	2/2009	Morris	.....	B60P 1/433	414/537
2009/0188439	A1*	7/2009	Simpson	.....	A01K 15/024	119/706
2009/0271934	A1*	11/2009	Morris	.....	A61G 3/061	14/71.3
2009/0300859	A1*	12/2009	Lucht	.....	E04F 11/002	14/69.5
2011/0008140	A1*	1/2011	Hansen	.....	A61G 3/067	414/523
2011/0072598	A1*	3/2011	Morris	.....	A61G 3/067	14/69.5
2012/0030886	A1*	2/2012	Persson	.....	B60R 3/02	14/71.1
2012/0132480	A1*	5/2012	Gomez Varela	.....	E04F 11/002	182/21
2014/0237739	A1*	8/2014	Thompson	.....	A63C 19/10	14/2.4
2015/0052693	A1*	2/2015	Allen	.....	A61G 3/061	14/71.1
2015/0068136	A1*	3/2015	Duffield	.....	E04H 1/1205	52/79.5
2016/0302381	A1*	10/2016	Asposito	.....	A01K 1/035	
2017/0121962	A1*	5/2017	Duffield	.....	E04B 1/34331	
2017/0275886	A1*	9/2017	Ueno	.....	E04F 11/002	
2019/0283986	A1*	9/2019	Morrish	.....	B65G 69/287	
2020/0037582	A1*	2/2020	Caterson	.....	A01K 1/035	
2020/0085188	A1*	3/2020	Feldman	.....	A47B 96/028	
2020/0308842	A1*	10/2020	Jakubowski	.....	E04F 11/002	

\* cited by examiner

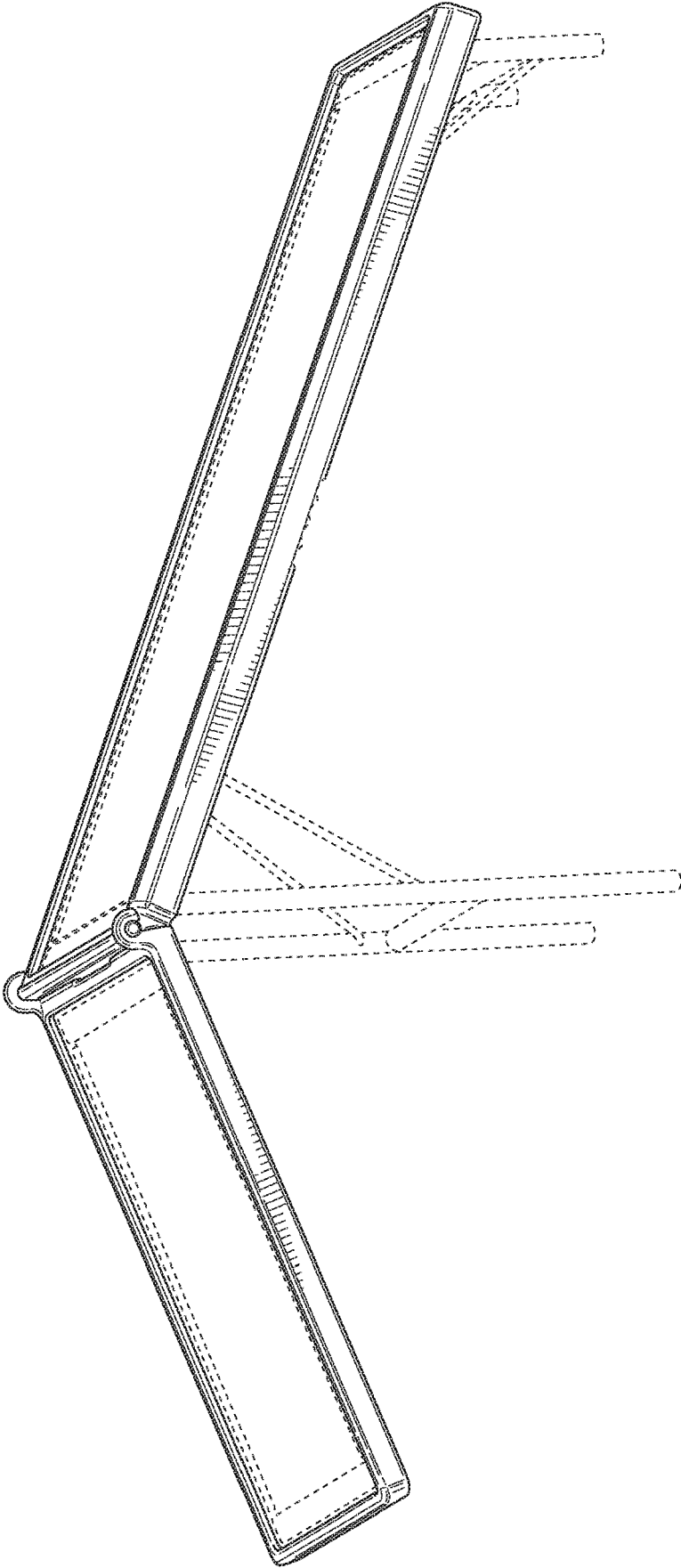


FIG. 1

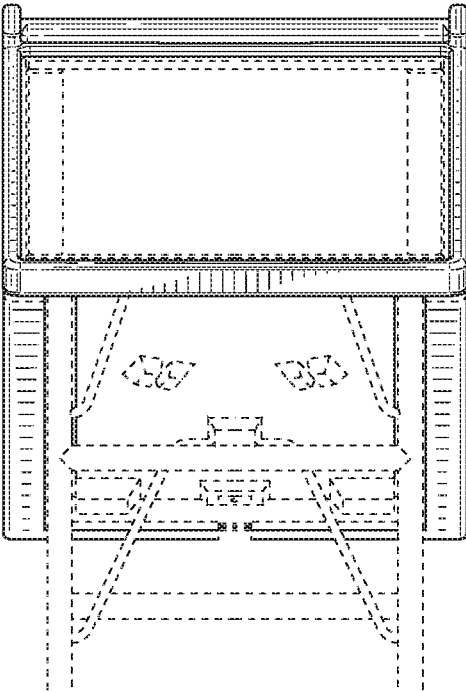


FIG. 2

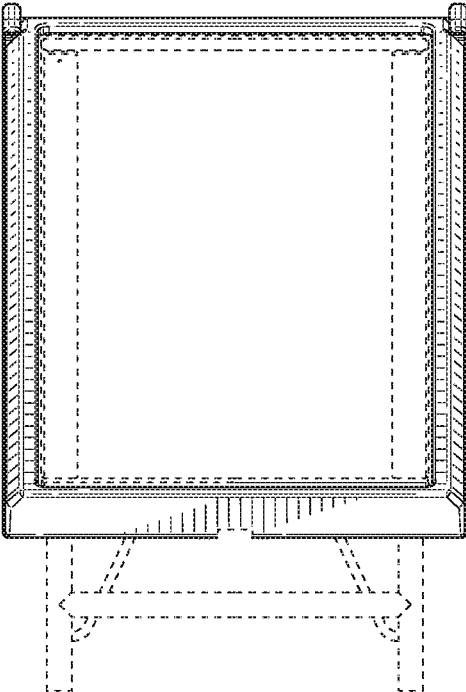


FIG. 3

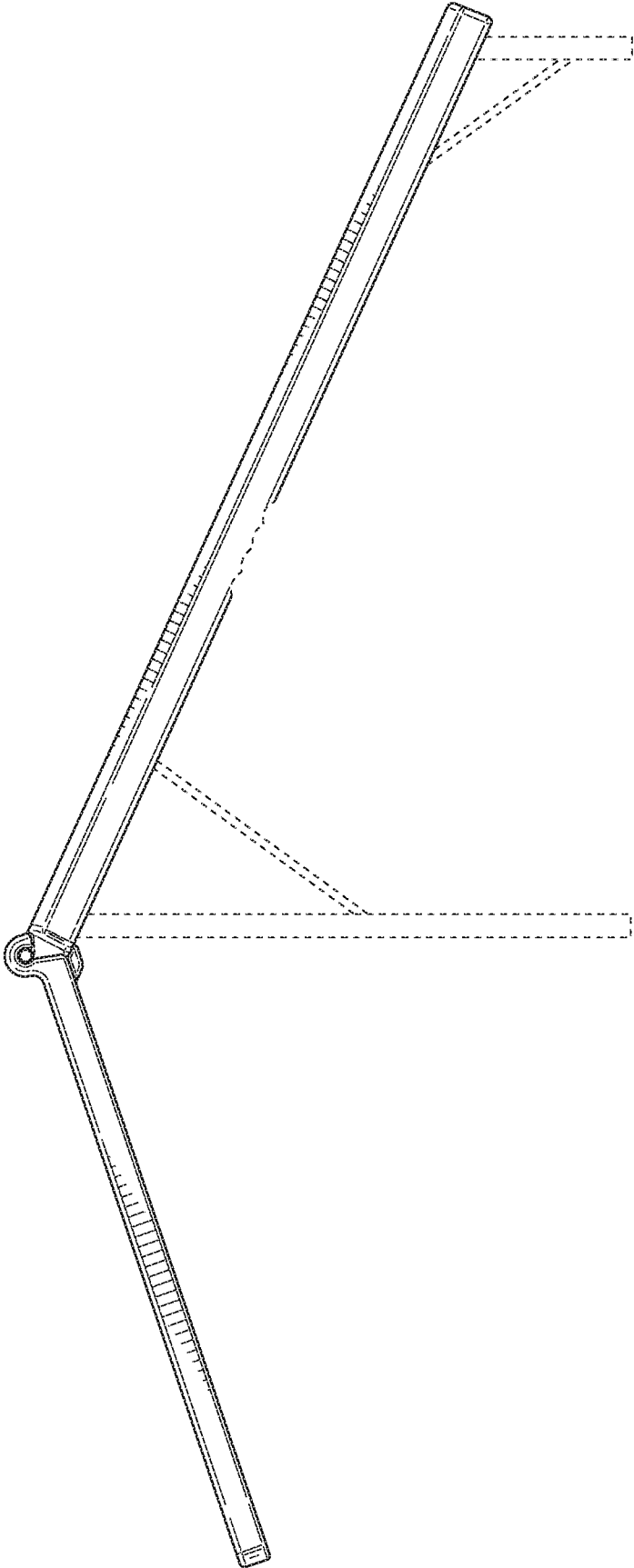


FIG. 4

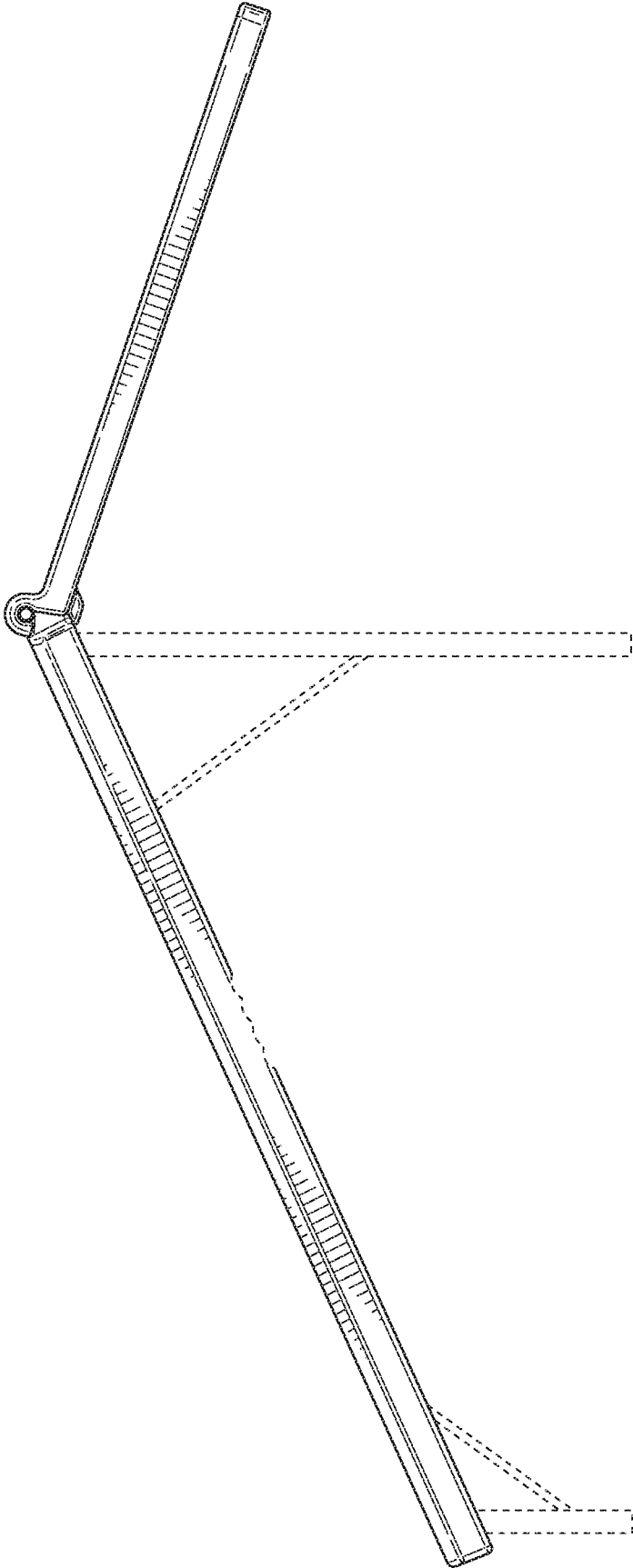


FIG. 5

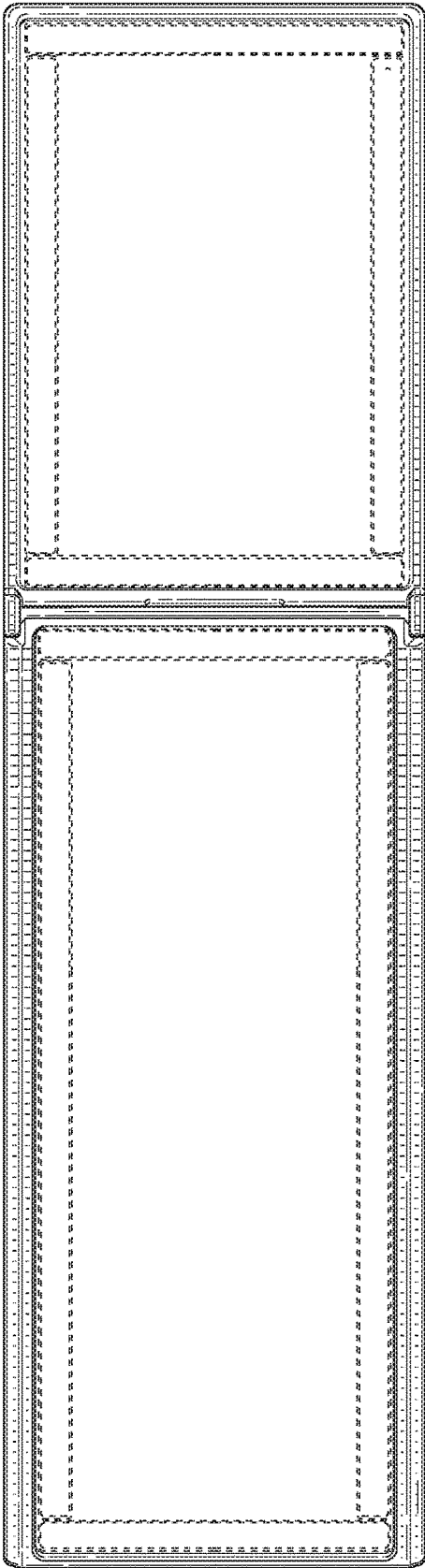


FIG. 6



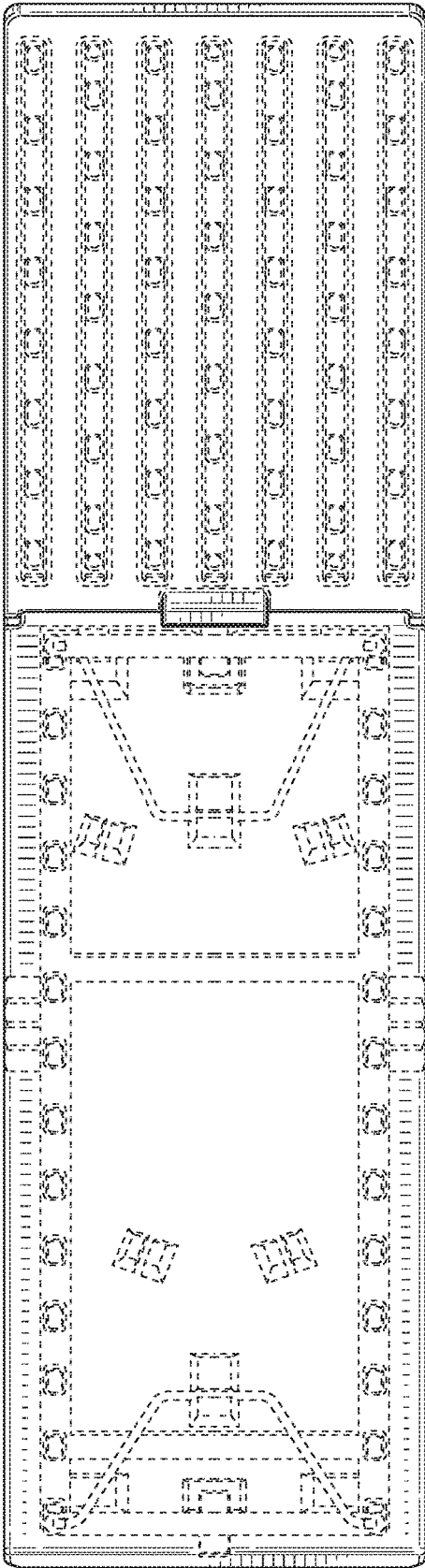


FIG. 7

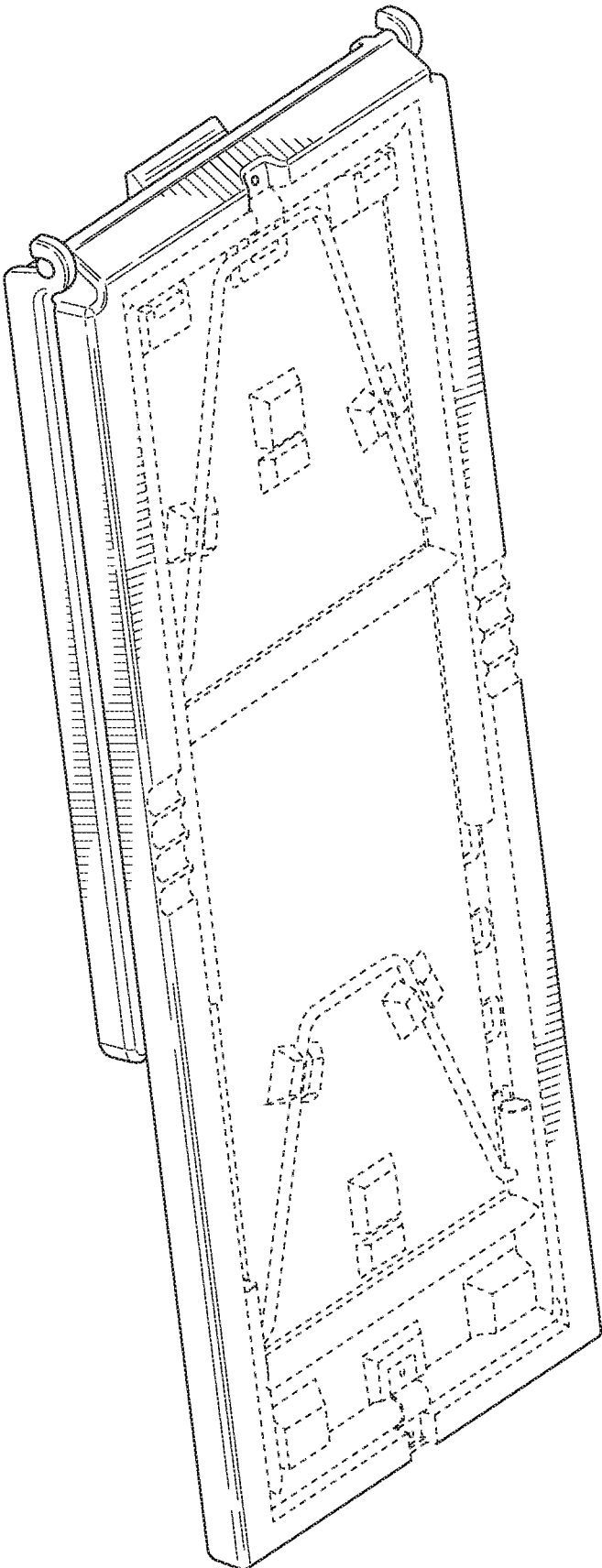


FIG. 8

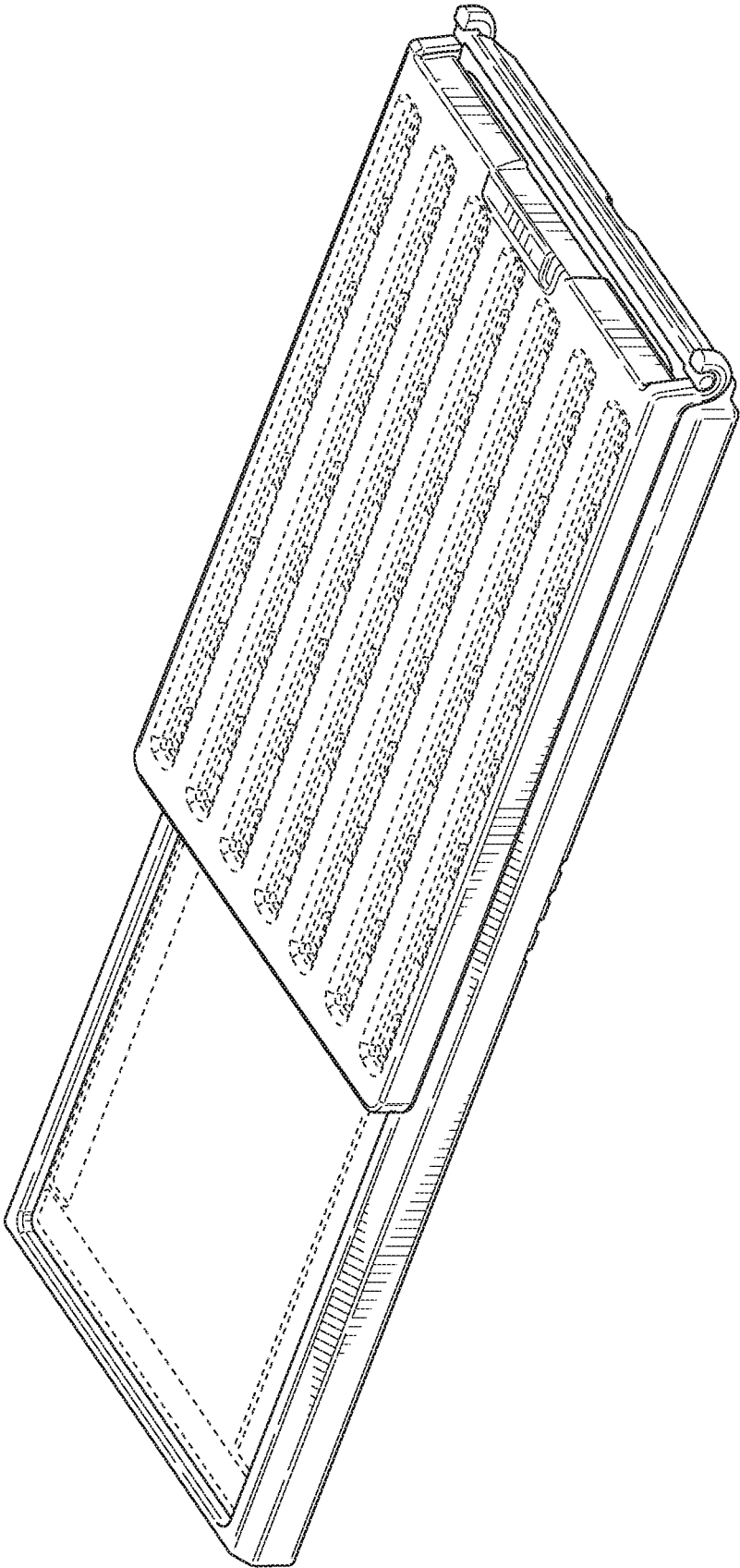


FIG. 9