

(19) World Intellectual Property Organization
International Bureau



(43) International Publication Date
8 May 2008 (08.05.2008)

PCT

(10) International Publication Number
WO 2008/055073 A3

(51) International Patent Classification:

A45D 33/00 (2006.01) A45D 33/22 (2006.01)
A45D 33/24 (2006.01) B65D 71/00 (2006.01)

CN, CO, CR, CU, CZ, DE, DK, DM, DO, DZ, EC, EE, EG, ES, FI, GB, GD, GE, GH, GM, GT, HN, HR, HU, ID, IL, IN, IS, JP, KE, KG, KM, KN, KP, KR, KZ, LA, LC, LK, LR, LS, LT, LU, LY, MA, MD, ME, MG, MK, MN, MW, MX, MY, MZ, NA, NG, NI, NO, NZ, OM, PG, PH, PL, PT, RO, RS, RU, SC, SD, SE, SG, SK, SL, SM, SV, SY, TJ, TM, TN, TR, TT, TZ, UA, UG, US, UZ, VC, VN, ZA, ZM, ZW.

(21) International Application Number:

PCT/US2007/082678

(22) International Filing Date: 26 October 2007 (26.10.2007)

(25) Filing Language:

English

(26) Publication Language:

English

(30) Priority Data:

11/553,945 27 October 2006 (27.10.2006) US

(84) Designated States (unless otherwise indicated, for every kind of regional protection available):

ARIPO (BW, GH, GM, KE, LS, MW, MZ, NA, SD, SL, SZ, TZ, UG, ZM, ZW), Eurasian (AM, AZ, BY, KG, KZ, MD, RU, TJ, TM), European (AT, BE, BG, CH, CY, CZ, DE, DK, EE, ES, FI, FR, GB, GR, HU, IE, IS, IT, LT, LU, LV, MC, MT, NL, PL, PT, RO, SE, SI, SK, TR), OAPI (BF, BJ, CF, CG, CI, CM, GA, GN, GQ, GW, ML, MR, NE, SN, TD, TG).

(71) Applicant and

(72) Inventor: WASHINGTON, Jill [US/US]; 722 Boulevard East, Weehawken, New Jersey 07086-6925 (US).

Published:

- with international search report
- before the expiration of the time limit for amending the claims and to be republished in the event of receipt of amendments

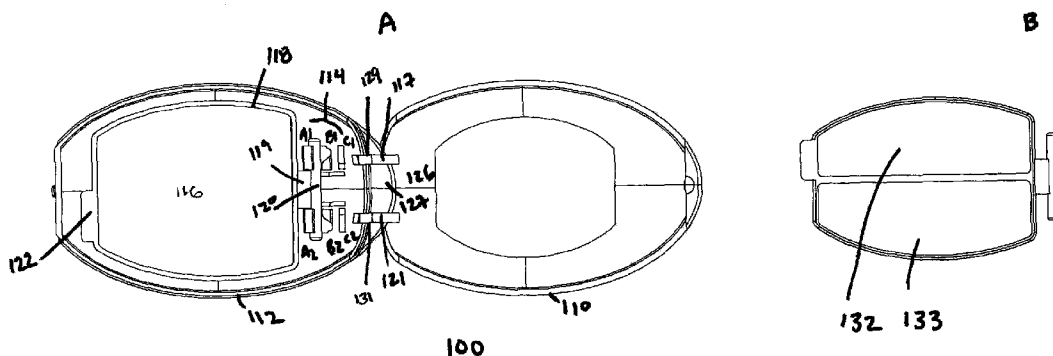
(74) Agent: HUDNELL, Lewis E.; Fish & Richardson P.C., P.O. Box 1022, Minneapolis, Minnesota 55440-1022 (US).

(81) Designated States (unless otherwise indicated, for every kind of national protection available): AE, AG, AL, AM, AT, AU, AZ, BA, BB, BG, BH, BR, BW, BY, BZ, CA, CH,

(88) Date of publication of the international search report:

28 August 2008

(54) Title: COMPACT CASE WITH DETACHABLE LEAVES



(57) Abstract: The present invention relates to a makeup compact with one or more detachable leaves for holding cosmetic products that may be detached and replaced when the cosmetic product is depleted or as otherwise desired by the user. The leaves may also be detached from the compact and interchanged with different detachable leaves holding different cosmetic products.

WO 2008/055073 A3

INTERNATIONAL SEARCH REPORT

International application No.
PCT/US07/82678

A. CLASSIFICATION OF SUBJECT MATTER
 IPC: **A45D 33/00(2006.01),33/24(2006.01),33/24(2006.01),33/22(2006.01);B65D 71/00(2006.01)**

 USPC: 132/295,293,294,300;206/581,823
 According to International Patent Classification (IPC) or to both national classification and IPC

B. FIELDS SEARCHED
 Minimum documentation searched (classification system followed by classification symbols)
 U.S. : 132/295,293,294,300;206/581,823

Documentation searched other than minimum documentation to the extent that such documents are included in the fields searched

Electronic data base consulted during the international search (name of data base and, where practicable, search terms used)

C. DOCUMENTS CONSIDERED TO BE RELEVANT

Category *	Citation of document, with indication, where appropriate, of the relevant passages	Relevant to claim No.
X	US 4,821,751A (CHEN) April 1989, whole document	1, 2, 5, 6, 11
---		-----
Y		7-10, 12
Y	US 6,932,220 A (BYUN) August 2005, whole document	3, 4
Y	US 2,035,831A (PARKIN) March 1936, whole document	13
A	US 6,138,686 A (YUHARA) October 2000, whole document	1-13

Further documents are listed in the continuation of Box C. See patent family annex.

* Special categories of cited documents:	
"A" document defining the general state of the art which is not considered to be of particular relevance	"T" later document published after the international filing date or priority date and not in conflict with the application but cited to understand the principle or theory underlying the invention
"E" earlier application or patent published on or after the international filing date	"X" document of particular relevance; the claimed invention cannot be considered novel or cannot be considered to involve an inventive step when the document is taken alone
"L" document which may throw doubts on priority claim(s) or which is cited to establish the publication date of another citation or other special reason (as specified)	"Y" document of particular relevance; the claimed invention cannot be considered to involve an inventive step when the document is combined with one or more other such documents, such combination being obvious to a person skilled in the art
"O" document referring to an oral disclosure, use, exhibition or other means	"&" document member of the same patent family
"P" document published prior to the international filing date but later than the priority date claimed	

Date of the actual completion of the international search: 23 April 2008 (23.04.2008) Date of mailing of the international search report: 02 JUL 2008

Name and mailing address of the ISA/US: Mail Stop PCT, Attn: ISA/US, Commissioner for Patents, P.O. Box 1450, Alexandria, Virginia 22313-1450, Facsimile No. (571) 273-3201
 Authorized officer: Robyn Doan (with signature), Telephone No. (517) 272-2975 (with signature)