



(12) **United States Design Patent**  
**Oas**

(10) **Patent No.:** **US D846,033 S**  
(45) **Date of Patent:** **\*\* Apr. 16, 2019**

(54) **SPINNER WITH FLORAL DESIGN**

(71) Applicant: **Daniel Oas**, Irwindale, CA (US)

(72) Inventor: **Daniel Oas**, Irwindale, CA (US)

(73) Assignee: **Calibre International, LLC**, Irwindale, CA (US)

(\*\*) Term: **15 Years**

(21) Appl. No.: **29/609,705**

(22) Filed: **Jul. 4, 2017**

(51) **LOC (11) Cl.** ..... **21-01**

(52) **U.S. Cl.**

USPC ..... **D21/455**

(58) **Field of Classification Search**

USPC ..... D21/373-375, 387, 395, 398, 404-406, D21/436-438, 441, 443, 444, 451, D21/455-464, 467, 468, 473-477, D21/485-505, 530, 533-536, 707, 710; D24/194, 195; D30/160; D19/123, D19/135-138, 151, 153, 155, 189, 202, D19/65, 85, 95, 99, 100, 75, 77, 81, 82, D19/102-107, 112, 120; D28/78, 79, 86; D7/505, 506, 539-541, 551.1, 551.2, 555, D7/556, 600.2; D9/661-664, 715, 721, D9/737, 756; D3/18, 20, 21, 206, 271.1, D3/271.8, 274; 446/36-48, 214, 215, 446/217, 218, 233, 235-266, 487, 489, 446/491, 71-76, 146; 401/18, 34, 35, 52, 401/131, 195, 292  
CPC ..... A63H 1/00-1/32; A63H 33/00; A63H 33/002; A63H 33/18; A63H 33/185; A63F 9/16; A63F 2009/165; A63F 2009/0018; B43K 29/00-29/20; B43K 23/00; B43K 23/001; B43K 23/002; B43K 23/004; B43K 23/008; B43K 23/0016; B43K 23/02; B43K 23/04; B43K 23/06; B43K 23/08; B43K 27/00; B43K 27/02; B43K 27/04; B43K 27/08; B43K 27/12

See application file for complete search history.

(56) **References Cited**

U.S. PATENT DOCUMENTS

D156,773 S \* 1/1950 Schaper ..... 446/236  
D219,527 S \* 12/1970 Lange ..... D21/463  
D241,055 S \* 8/1976 Wohlstrom ..... D21/460  
4,600,398 A \* 7/1986 Fraga ..... A63H 1/02  
446/240  
5,067,923 A \* 11/1991 de Bourbon ..... A63H 33/18  
434/258  
D328,310 S \* 7/1992 Yoshinaga ..... D11/117  
D349,512 S \* 8/1994 Law ..... 401/195  
D354,979 S \* 1/1995 Tsuji ..... D19/123

(Continued)

FOREIGN PATENT DOCUMENTS

CH 97664 A \* 4/1923 ..... A63F 9/16  
EM 304112259 \* 4/2017

(Continued)

*Primary Examiner* — Catherine A Tuttle

(74) *Attorney, Agent, or Firm* — Thomas I. Rozsa

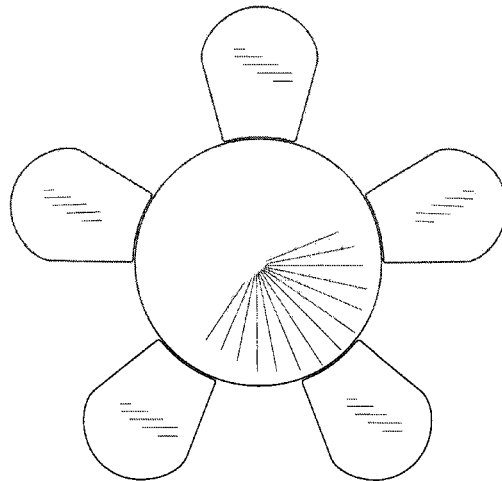
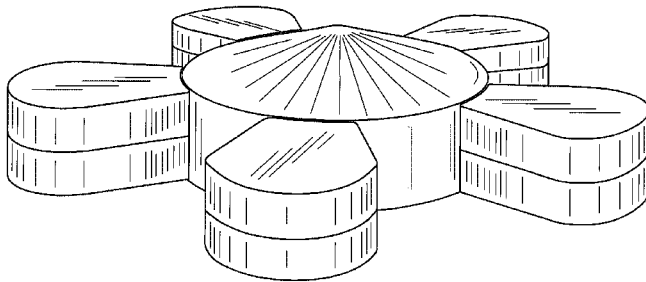
(57) **CLAIM**

The ornamental design for a spinner with floral design, as shown and described.

**DESCRIPTION**

FIG. 1 is a top front elevational view of a spinner with floral design, showing my new design;  
FIG. 2 is a top plan view thereof;  
FIG. 3 is a bottom plan view thereof;  
FIG. 4 is a front view thereof;  
FIG. 5 is a rear view thereof;  
FIG. 6 is a right side view thereof;  
FIG. 7 is a left side view thereof;  
FIG. 8 is another top front perspective view thereof; and,  
FIG. 9 is a bottom perspective view thereof.

**1 Claim, 7 Drawing Sheets**



(56)

**References Cited**

## U.S. PATENT DOCUMENTS

5,655,777 A \* 8/1997 Neading ..... A63B 65/08  
 473/594  
 D392,695 S \* 3/1998 Haupt ..... D21/476  
 5,763,796 A \* 6/1998 Britto ..... A63H 13/00  
 40/455  
 6,120,342 A \* 9/2000 Chan ..... A63H 1/32  
 446/247  
 D470,177 S \* 2/2003 Chen ..... D19/120  
 D504,910 S \* 5/2005 Lee ..... D19/120  
 D558,987 S \* 1/2008 Gildersleeve ..... D6/306  
 D645,508 S \* 9/2011 Goodelman ..... D19/120  
 D683,798 S \* 6/2013 Goldman ..... D21/398  
 9,751,358 B2 \* 9/2017 Sferle ..... B43K 27/08  
 D801,440 S \* 10/2017 Pavelsky ..... D21/455  
 9,895,620 B1 \* 2/2018 Walterscheid ..... A63H 1/24  
 9,950,556 B1 \* 4/2018 Laemle ..... B43K 29/00  
 2008/0025784 A1 \* 1/2008 Mueller ..... B43K 23/004  
 401/34  
 2010/0237030 A1 \* 9/2010 Cass ..... A47J 47/16  
 211/70  
 2013/0287469 A1 \* 10/2013 Young ..... B43K 23/004  
 401/8  
 2015/0079874 A1 \* 3/2015 Strauss ..... F41B 3/03  
 446/308

## FOREIGN PATENT DOCUMENTS

EM 004014223-0003 \* 6/2017  
 EM 004019636-0001 \* 6/2017  
 EP 0974383 A1 \* 1/2000 ..... A63H 1/00  
 WO WO-2015163766 A9 \* 12/2017

\* cited by examiner

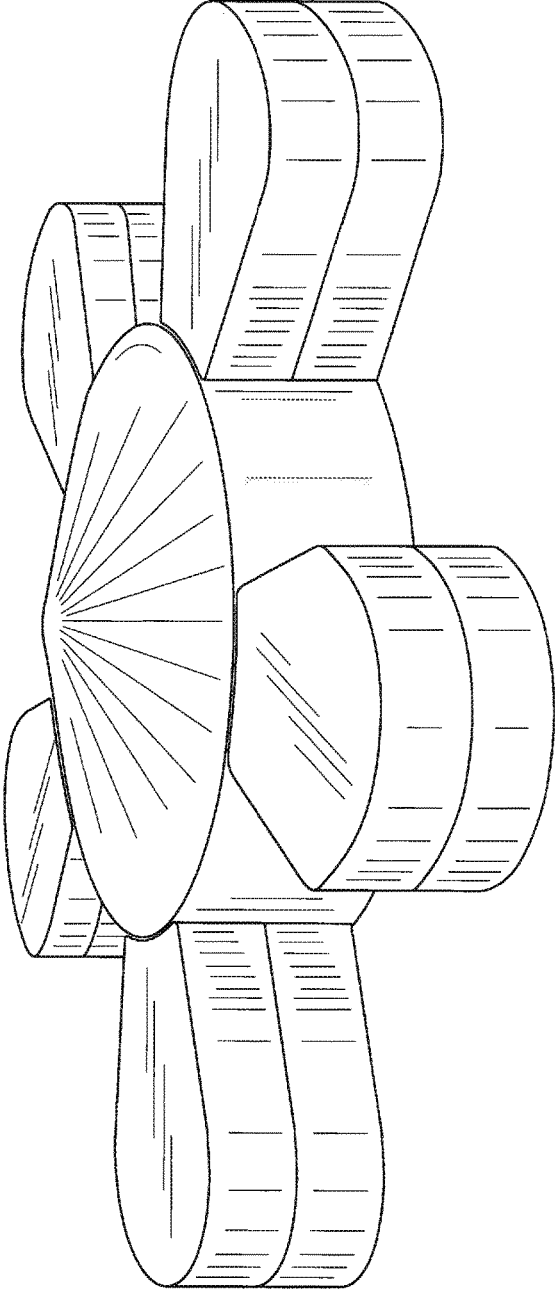


FIG. 1

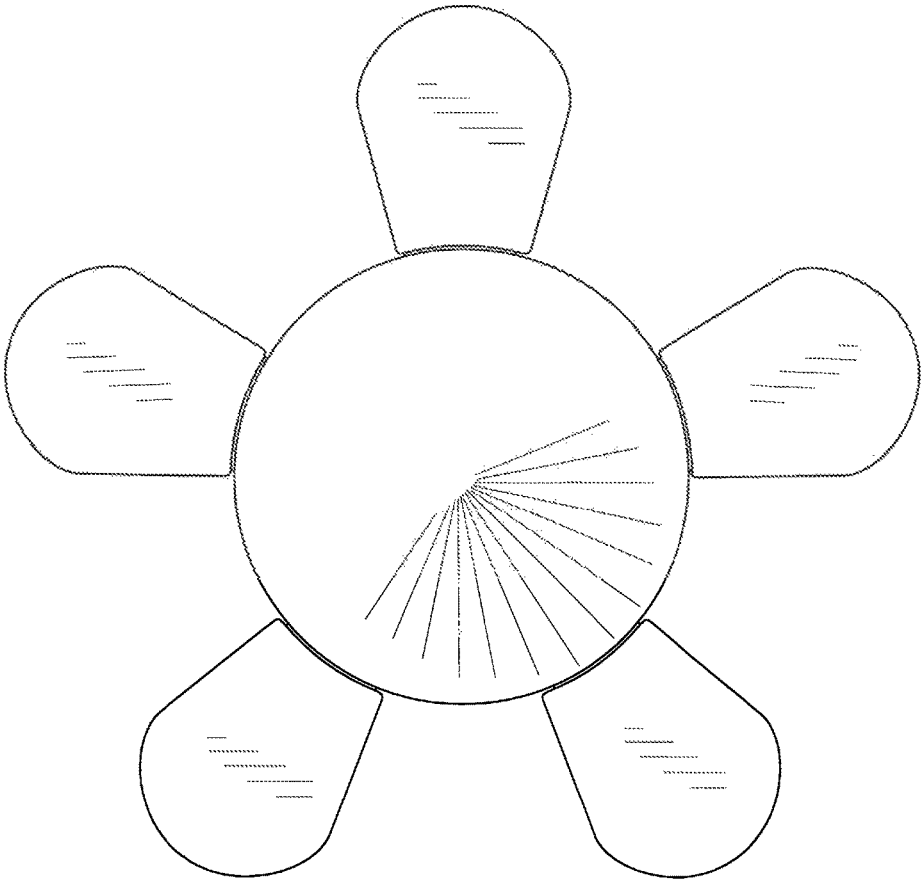


FIG. 2

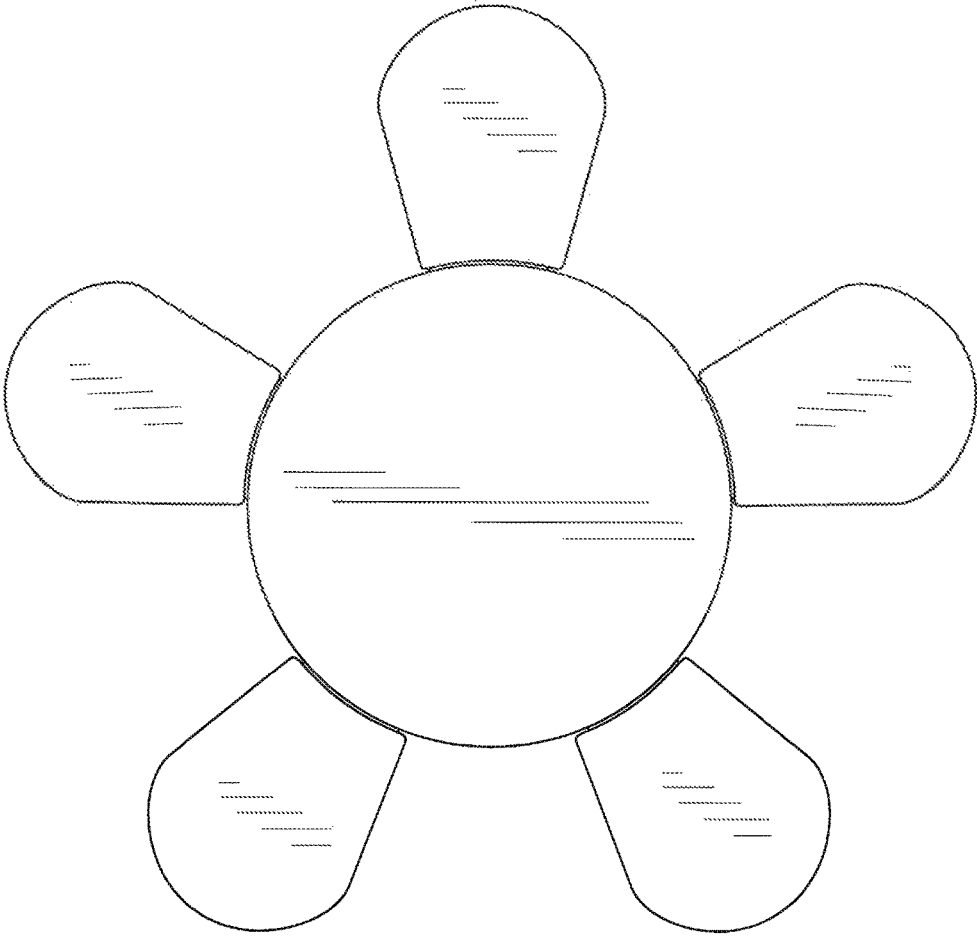


FIG. 3

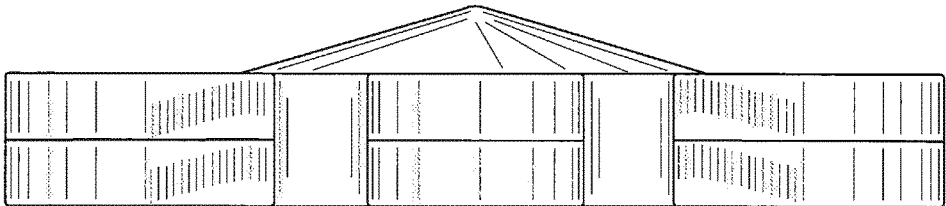


FIG. 4

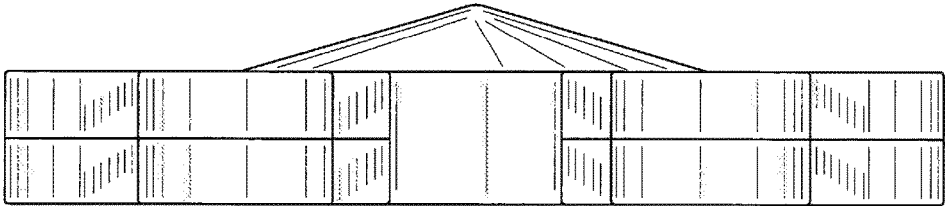


FIG. 5

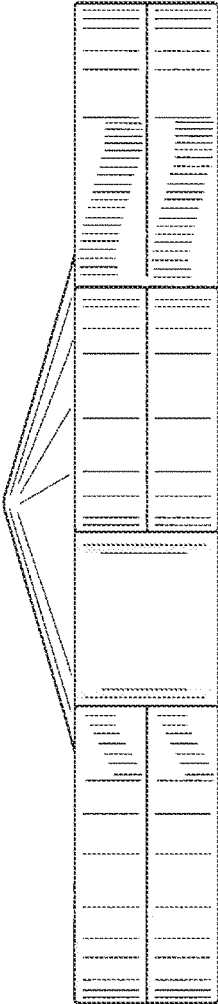


FIG. 6

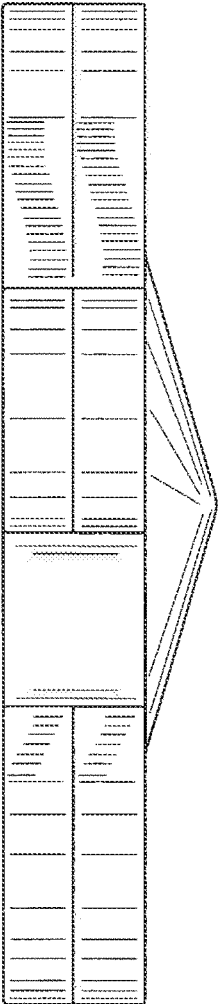


FIG. 7

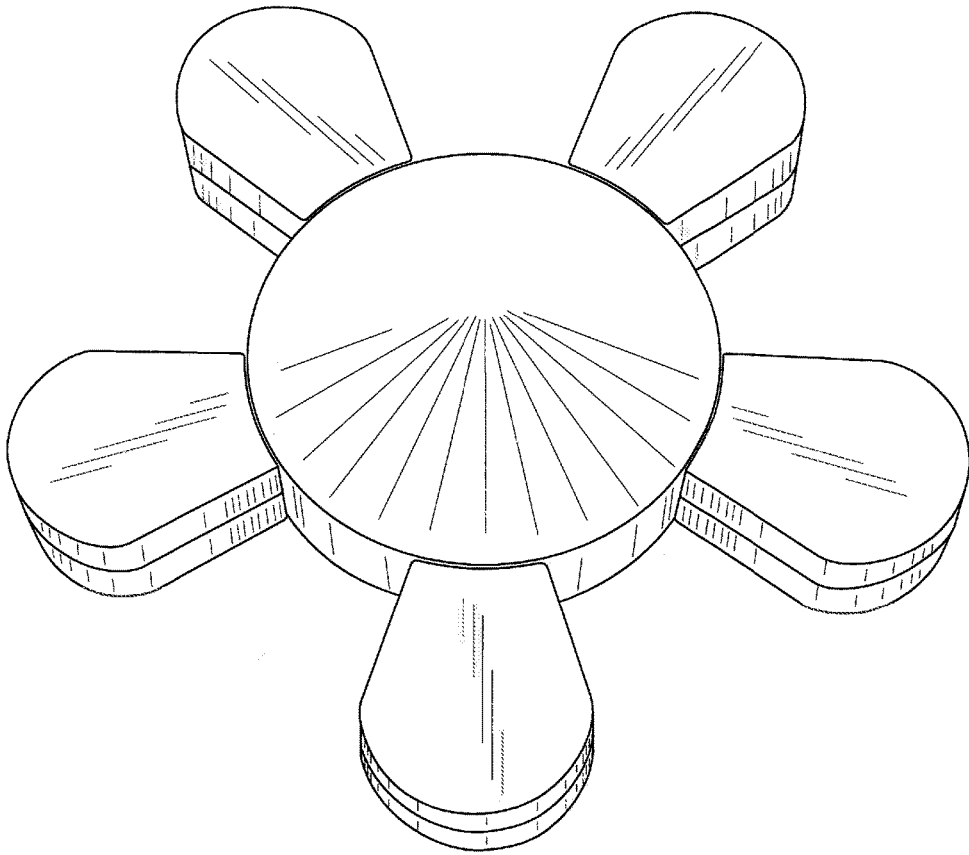


FIG. 8



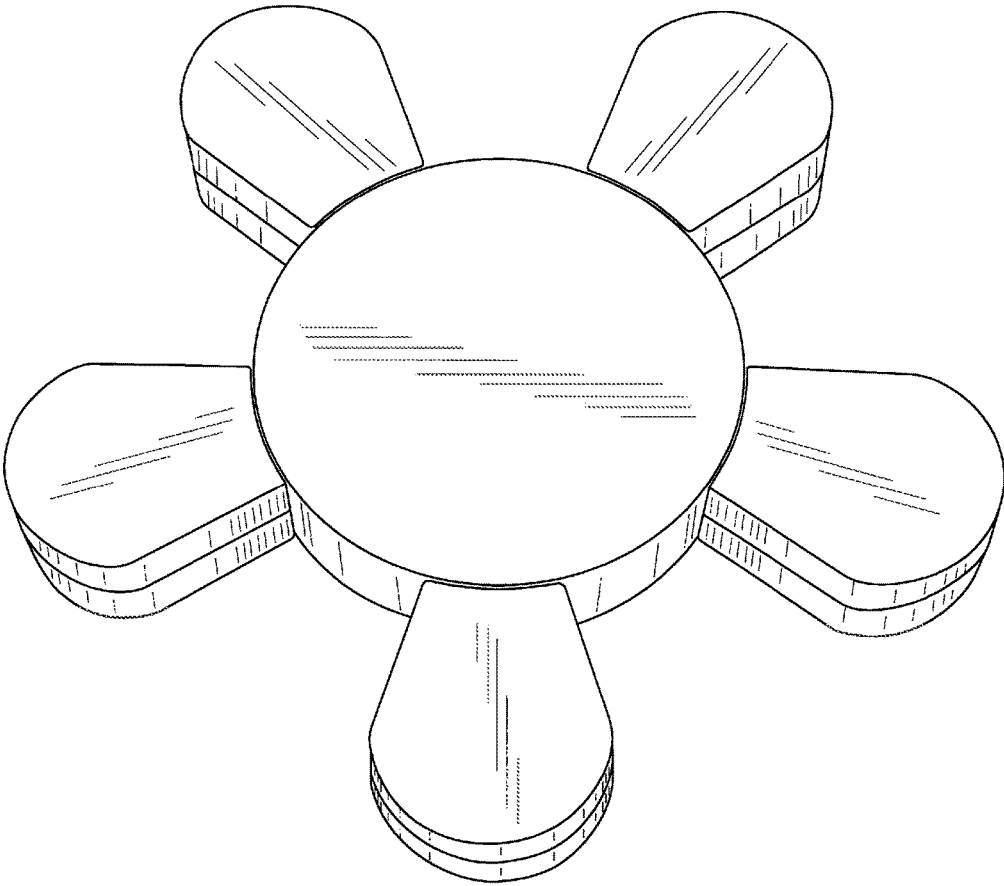


FIG. 9