



US00D691582S

(12) **United States Design Patent**
Nguyen et al.

(10) **Patent No.:** US D691,582 S

(45) **Date of Patent:** ** Oct. 15, 2013

(54) **HEADSET**

(75) Inventors: **Anh Nguyen**, San Mateo, CA (US);
Dana Krieger, Albany, CA (US);
Nathaniel G Cervantes, San Francisco,
CA (US); **Adam Barry**, San Francisco,
CA (US)

(73) Assignee: **Skullcandy, Inc.**, Park City, UT (US)

(**) Term: **14 Years**

(21) Appl. No.: **29/430,208**

(22) Filed: **Aug. 22, 2012**

(51) **LOC (9) Cl.** **14-01**

(52) **U.S. Cl.**
USPC **D14/205**

(58) **Field of Classification Search**
USPC D14/205, 206, 188, 192, 225, 255;
D29/112; 2/209; 379/430, 431;
381/380, 381, 374, 375, 376; 455/90.3,
455/575.1

See application file for complete search history.

(56) **References Cited**

U.S. PATENT DOCUMENTS

| | | | | | |
|-----------|----|---|---------|-----------------|---------|
| 3,811,382 | A | * | 5/1974 | Buchter et al. | 104/7.3 |
| D237,307 | S | * | 10/1975 | Miyamoto | D14/192 |
| D319,241 | S | * | 8/1991 | Daido et al. | D14/205 |
| D331,059 | S | * | 11/1992 | Sogabe et al. | D14/205 |
| D340,033 | S | * | 10/1993 | Okumura et al. | D14/192 |
| D351,172 | S | * | 10/1994 | Nakamura et al. | D14/205 |
| D352,036 | S | * | 11/1994 | Sekita | D14/192 |
| D353,817 | S | * | 12/1994 | Wada | D14/205 |
| D357,477 | S | * | 4/1995 | Mueller et al. | D14/206 |
| D386,181 | S | * | 11/1997 | Fisher | D14/205 |
| 6,560,346 | B2 | * | 5/2003 | Ohta et al. | 381/382 |
| D491,163 | S | * | 6/2004 | Green | D14/205 |

| | | | | | |
|----------|---|---|---------|-----------------|---------|
| D505,413 | S | * | 5/2005 | Skulley et al. | D14/223 |
| D517,528 | S | * | 3/2006 | Skulley | D14/206 |
| D518,479 | S | * | 4/2006 | Skulley | D14/225 |
| D520,492 | S | * | 5/2006 | Chen | D14/205 |
| D531,165 | S | * | 10/2006 | Rath | D14/206 |
| D540,303 | S | * | 4/2007 | Rausch et al. | D14/205 |
| D540,778 | S | * | 4/2007 | Thompson et al. | D14/206 |
| D597,072 | S | * | 7/2009 | Asai | D14/206 |
| D613,266 | S | * | 4/2010 | Barry et al. | D14/205 |
| D623,627 | S | * | 9/2010 | Alden et al. | D14/205 |
| D641,725 | S | * | 7/2011 | Chong et al. | D14/205 |
| D648,318 | S | * | 11/2011 | Huang | D14/206 |
| D649,528 | S | * | 11/2011 | Park | D14/205 |
| D652,017 | S | * | 1/2012 | Groves et al. | D14/206 |
| D654,472 | S | * | 2/2012 | Fischer | D14/206 |
| D664,625 | S | * | 7/2012 | Minica | D22/107 |
| D666,168 | S | * | 8/2012 | Rath | D14/206 |
| D674,372 | S | * | 1/2013 | Kelly et al. | D14/205 |
| D674,767 | S | * | 1/2013 | Brunner et al. | D14/205 |
| D677,648 | S | * | 3/2013 | Lee et al. | D14/206 |
| D680,516 | S | * | 4/2013 | Lee | D14/205 |

* cited by examiner

Primary Examiner — Paula Greene

(74) Attorney, Agent, or Firm — TraskBritt

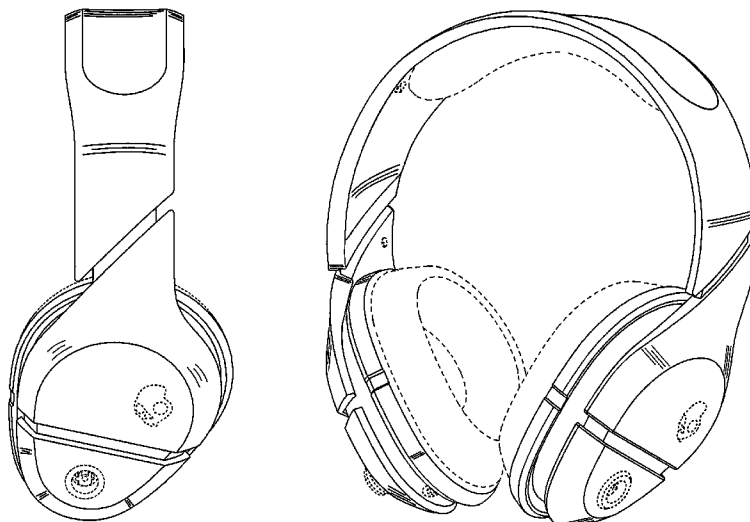
(57) **CLAIM**

The ornamental design for a headset, as shown and described.

DESCRIPTION

FIG. 1 is a front view of an embodiment of a headset; FIG. 2 is a rear view of the headset shown in FIG. 1; FIG. 3 is a right side view of the headset shown in FIG. 1; FIG. 4 is a left side view of the headset shown in FIG. 1; FIG. 5 is a top view of the headset shown in FIG. 1; FIG. 6 is a bottom view of the headset shown in FIG. 1; and, FIG. 7 is a perspective view of the headset shown in FIG. 1. The broken lines in FIGS. 1 through 7 are for environmental purposes only and do not form any part of the claimed design.

1 Claim, 7 Drawing Sheets



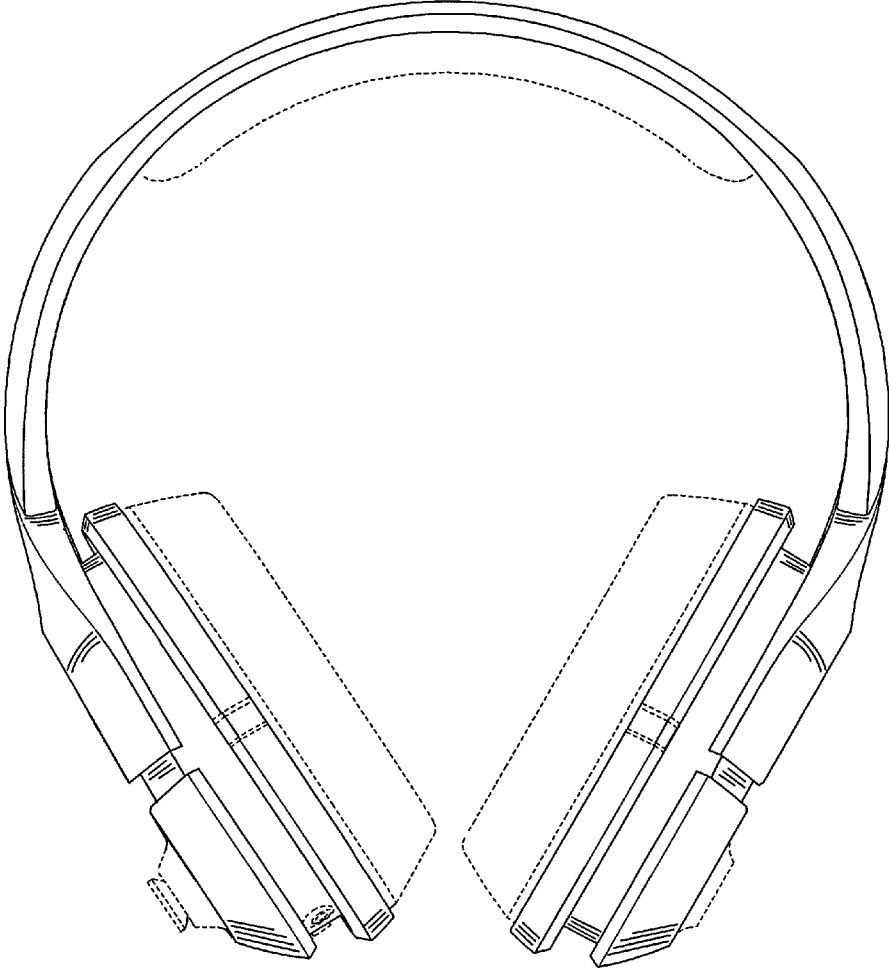


FIG. 1



FIG. 2

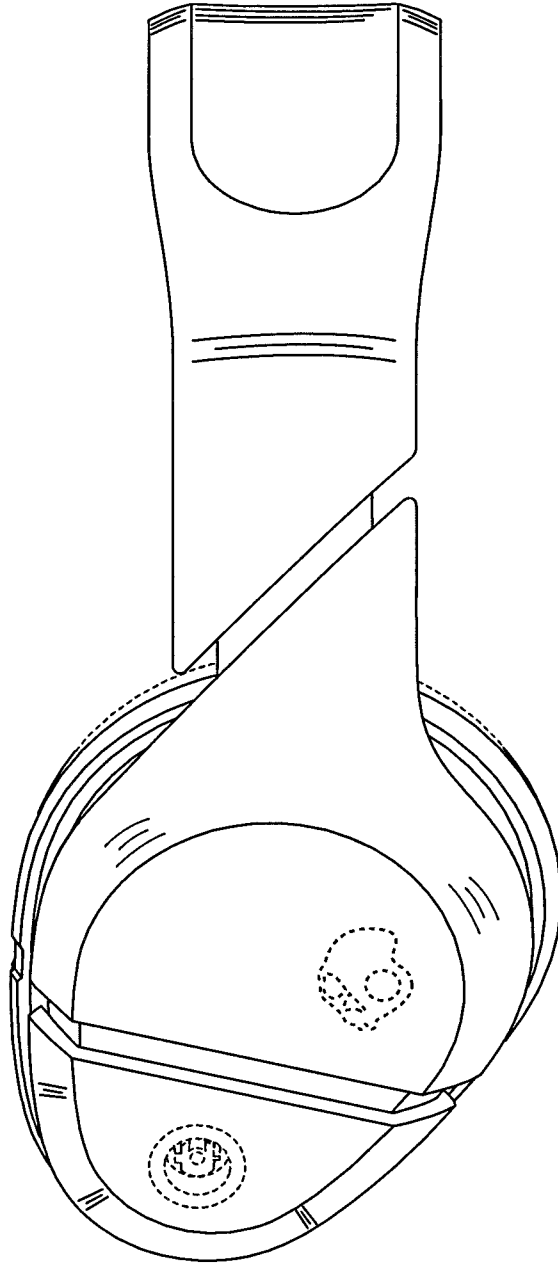


FIG. 3

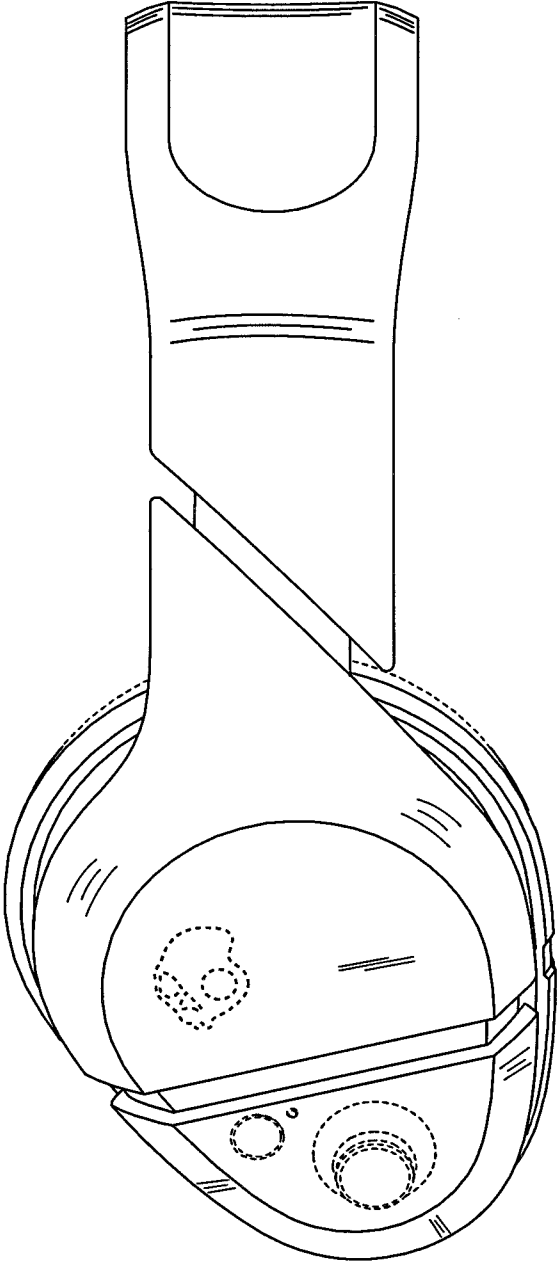


FIG. 4

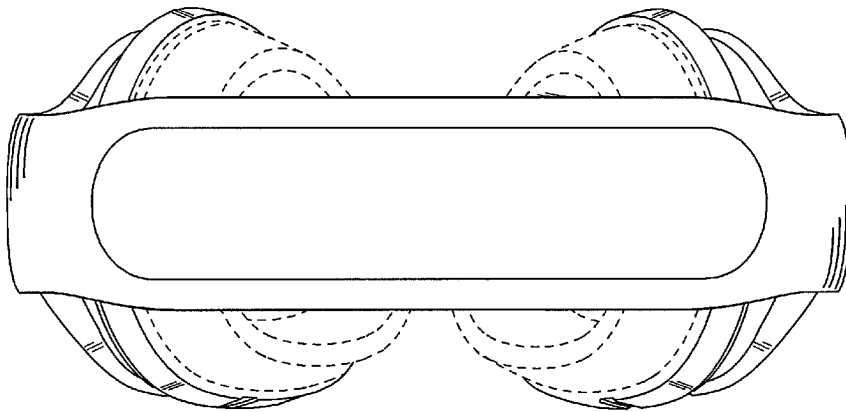


FIG. 5

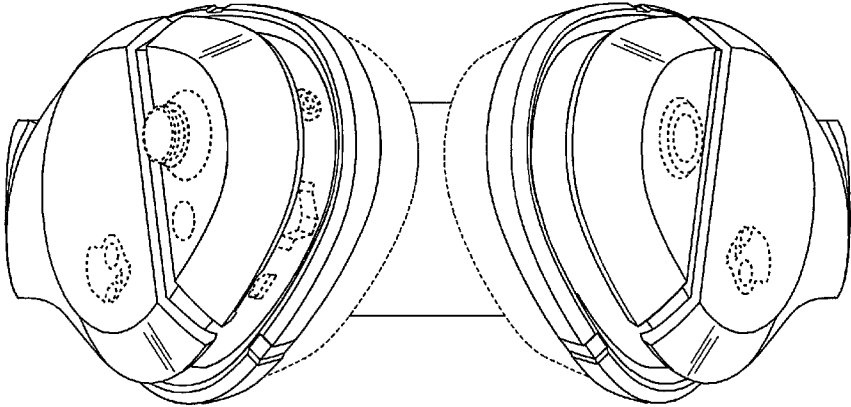


FIG. 6

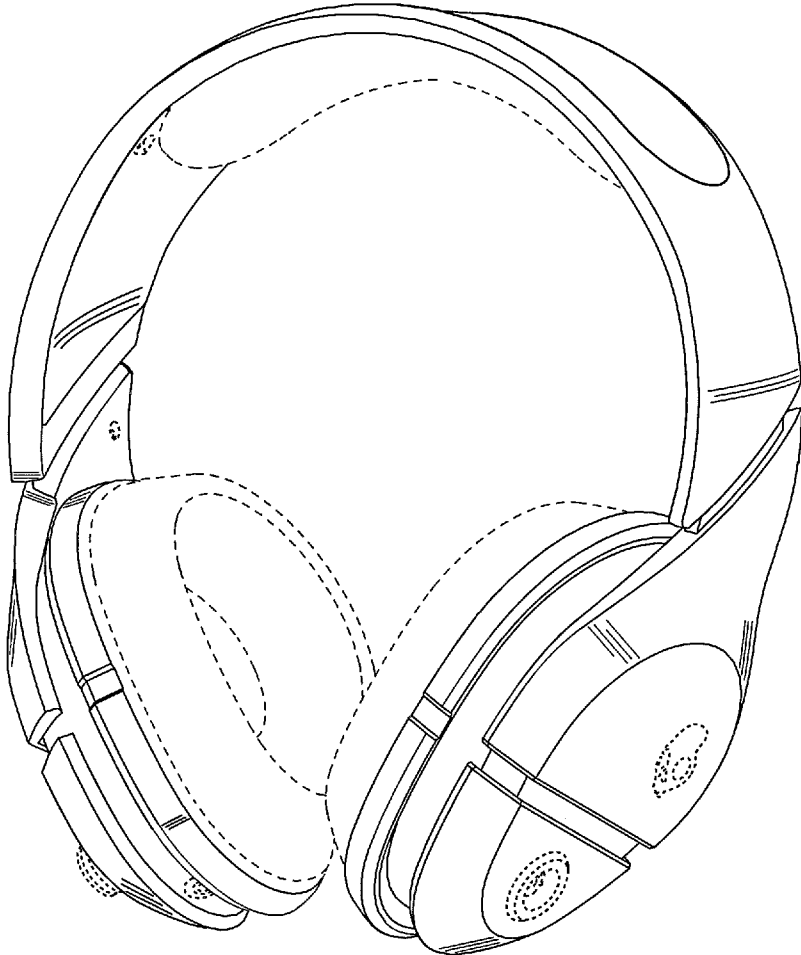


FIG. 7