



US00D810849S

(12) **United States Design Patent**  
**Chong**

(10) **Patent No.:** **US D810,849 S**

(45) **Date of Patent:** **\*\* Feb. 20, 2018**

(54) **BARBELL END CAP SELF-MOBILIZATION TOOL**

(71) Applicant: **Andres Chong**, Miami, FL (US)

(72) Inventor: **Andres Chong**, Miami, FL (US)

(\*\*) Term: **15 Years**

(21) Appl. No.: **29/585,442**

(22) Filed: **Nov. 23, 2016**

(51) **LOC (11) Cl.** ..... **21-02**

(52) **U.S. Cl.**  
USPC ..... **D21/694**

(58) **Field of Classification Search**  
USPC ..... 24/455; 403/106, 107, 261, 321;  
482/107, 92, 93; D8/310, 378, 387, 397,  
D8/399, 347; D13/153; D15/139;  
D21/694; D6/550; 411/427; D3/29  
CPC ..... A63B 21/0728; F16B 37/00; F16B 37/14;  
F05D 2260/31; B29L 2001/005; F16D  
2125/40

See application file for complete search history.

(56) **References Cited**

**U.S. PATENT DOCUMENTS**

D262,354	S *	12/1981	Kishida	.....	D8/397
D311,131	S *	10/1990	Saito	.....	D8/397
D379,428	S *	5/1997	Fling	.....	D8/399
D409,829	S *	5/1999	Hanner	.....	D3/29
D422,898	S *	4/2000	Hussaini	.....	D8/347
D480,953	S *	10/2003	Lee	.....	D8/399
D487,562	S *	3/2004	Campbell	.....	D8/397
D520,866	S *	5/2006	Shirakawa	.....	D8/397
7,252,471	B1 *	8/2007	Manyoky	.....	F16B 37/00 411/427

D590,243	S *	4/2009	Bush	.....	D8/397
D647,391	S *	10/2011	Barrese	.....	D6/550
D727,720	S *	4/2015	Schermer	.....	D8/397
D774,386	S *	12/2016	Brown	.....	D8/399
D780,859	S *	3/2017	Ramsey	.....	D21/694
D786,056	S *	5/2017	Baiz	.....	D8/387
D790,331	S *	6/2017	Baiz	.....	D8/387
D793,219	S *	8/2017	Baiz	.....	D8/397
D793,854	S *	8/2017	Baiz	.....	D8/397
D796,947	S *	9/2017	Hsu	.....	D8/397

\* cited by examiner

*Primary Examiner* — Susan E Krakower

*Assistant Examiner* — Michael A Maharajh

(74) *Attorney, Agent, or Firm* — Albert Bordas, P.A.

(57) **CLAIM**

The ornamental design for a barbell end cap self-mobilization tool, as shown and described.

**DESCRIPTION**

FIG. 1 is a top plan view of a barbell end cap self-mobilization tool;

FIG. 2 is a front elevational view thereof, the rear, left and right side elevational views being the same image thereof;

FIG. 3 is a bottom view thereof;

FIG. 4 is cross section view taken along the lines 4-4 from FIG. 2 thereof;

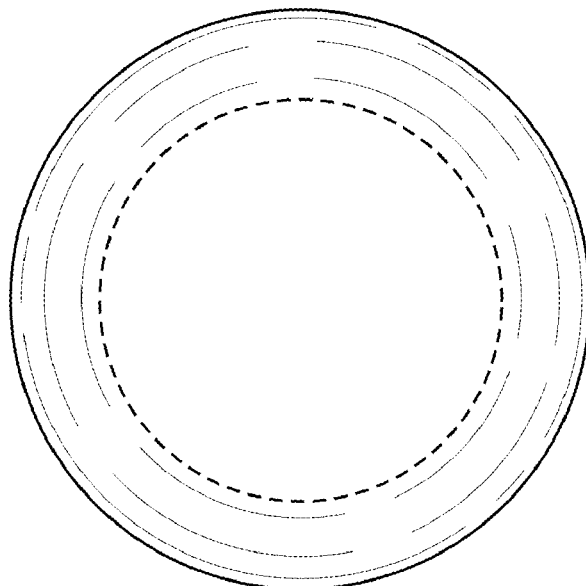
FIG. 5 is an isometric view thereof; and,

FIG. 6 is side view of a barbell end cap self-mobilization tool shown in use thereof.

The broken lines are for environmental purposes only and form no part of the claimed design.

The claimed barbell end cap self-mobilization tool mounts at distal ends of a barbell for massaging and self-mobilization.

**1 Claim, 3 Drawing Sheets**



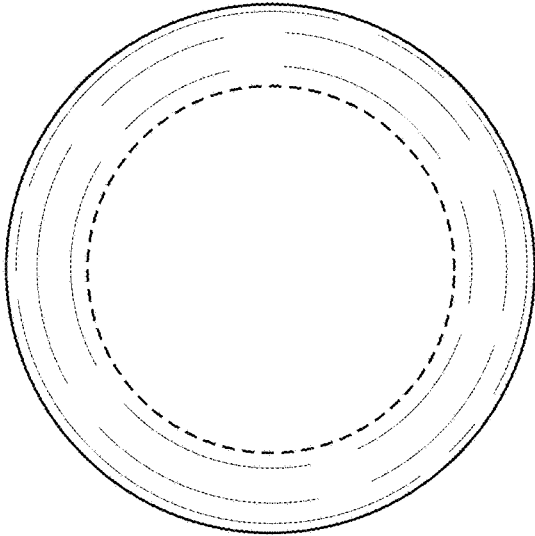


Fig. 1

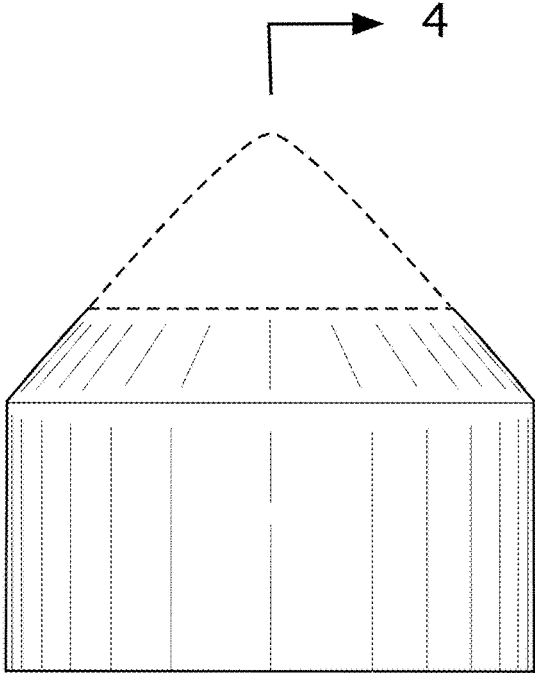


Fig. 2

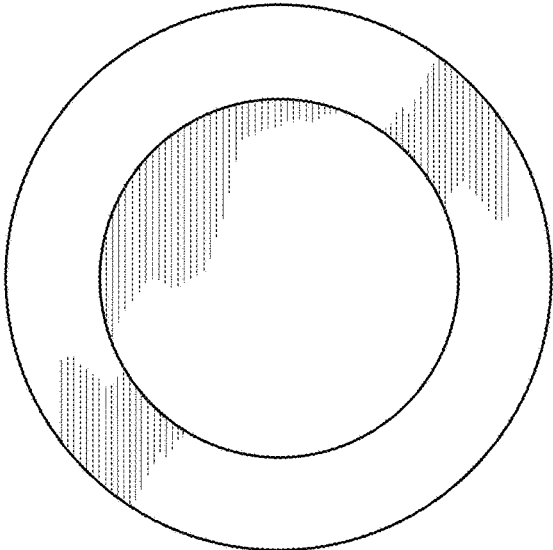


Fig. 3

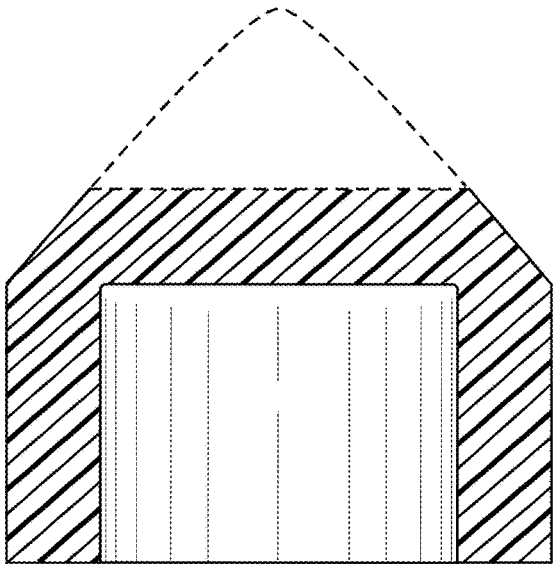


Fig. 4

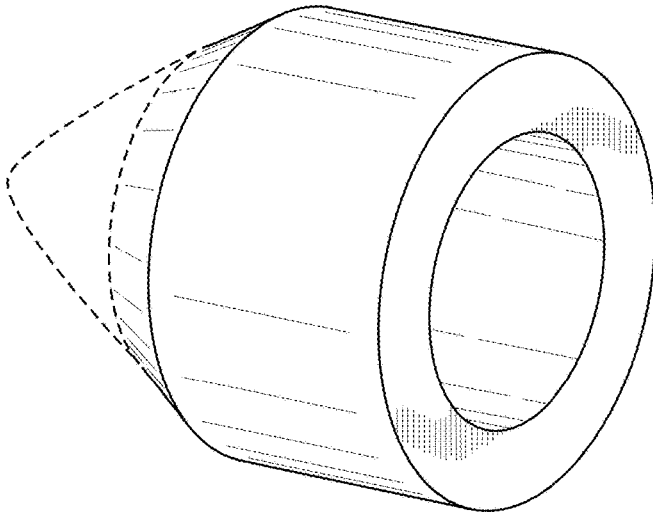


Fig. 5

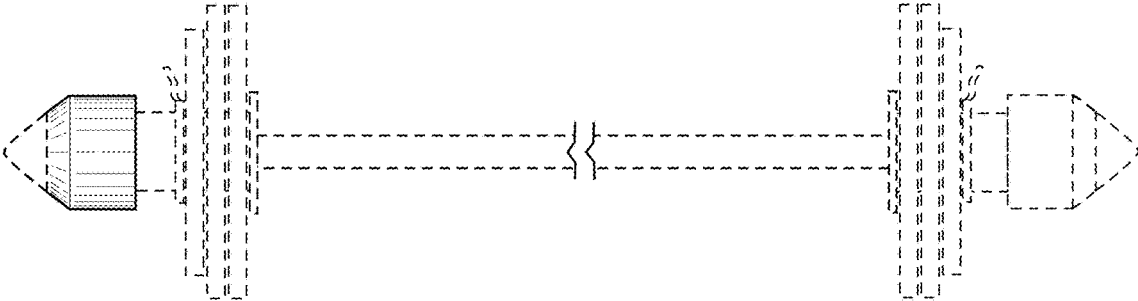


Fig. 6