



US00D382885S

United States Patent [19]

Deiner et al.

[11] Patent Number: Des. 382,885

[45] Date of Patent: **Aug. 26, 1997

- [54] **CONSOLE FOR REFRIGERANT RECYCLING**
- [75] Inventors: **Curt A. Deiner**, Burnsville; **Philip C. Dretzka**, Minneapolis; **Peter A. Richichi**, Lakeville; **Daniel T. Neimy**, Minneapolis, all of Minn.
- [73] Assignee: **Century Mfg. Co.**, Minneapolis, Minn.
- [**] Term: **14 Years**
- [21] Appl. No.: **30,535**
- [22] Filed: **Nov. 1, 1994**
- [51] **LOC (6) Cl.** **15-07**
- [52] **U.S. Cl.** **D15/79**
- [58] **Field of Search** D15/79; D23/207, D23/209; 62/77, 85, 125, 128, 129, 149, 292

[56] References Cited

U.S. PATENT DOCUMENTS

D. 248,942	8/1978	Kniss	D13/2
D. 290,491	6/1987	Goddard	D23/1
D. 292,429	10/1987	Spink	D23/209
D. 306,339	2/1990	Slovak	D23/207
D. 314,607	2/1991	Kapec et al.	D23/209
D. 327,468	6/1992	Dea et al.	D13/104
D. 328,777	8/1992	Thalman et al.	D23/209
D. 332,993	2/1993	Dea et al.	D23/207
D. 337,592	7/1993	Hider et al.	D15/79
D. 352,090	11/1994	Dea et al.	D23/207
D. 359,055	6/1995	Drago et al.	D15/79
2,565,273	8/1951	Shuler et al.	320/2
5,039,930	8/1991	Collier et al.	320/2
5,077,513	12/1991	Dea et al.	320/2
5,091,081	2/1992	Hilgren	210/195.2
5,100,562	3/1992	Proctor	210/774
5,167,826	12/1992	Eaton	210/651
5,168,721	12/1992	Hancock et al.	62/77

5,181,388	1/1993	Abraham	62/77
5,226,300	7/1993	Christensen et al.	62/77
5,262,013	11/1993	Beal et al.	203/18
5,263,331	11/1993	Sergius	62/77
5,272,882	12/1993	Degier et al.	62/77

Primary Examiner—Sandra L. Morris
Attorney, Agent, or Firm—Dorsey & Whitney LLP

[57] CLAIM

The ornamental design for a console for refrigerant recycling, as shown.

DESCRIPTION

FIG. 1 is a top front perspective view, lined for color, of a console for refrigerant recycling, showing our new design; FIG. 2 is a top rear perspective view thereof; FIG. 3 is a bottom front perspective view thereof; FIG. 4 is a bottom perspective view thereof; FIG. 5 is a top perspective view thereof; FIG. 6 is a right side perspective view thereof; FIG. 7 is a left side perspective view thereof; FIG. 8 is a front perspective view thereof; FIG. 9 is a top front perspective view, unlined for clarity, of a console for refrigerant recycling, showing our new design; FIG.10 is a top rear perspective view thereof; FIG. 11 is a bottom front perspective view thereof; FIG. 12 is a bottom perspective view thereof; FIG. 13 is a top perspective view thereof; FIG. 14 is a right side perspective view thereof; FIG. 15 is a left side perspective view thereof; and, FIG. 16 is a front perspective view thereof. FIGS. 3,4,6-8,11,12, and 14-16 are shown on a reduced scale. The broken line showing in FIGS. 2 and 10 is for illustrative purposes only, and forms no part of the claimed design. FIGS. 1-8 are shown lined for color. FIGS. 9-16 are shown unlined to show the invention with improved clarity.

1 Claim, 10 Drawing Sheets

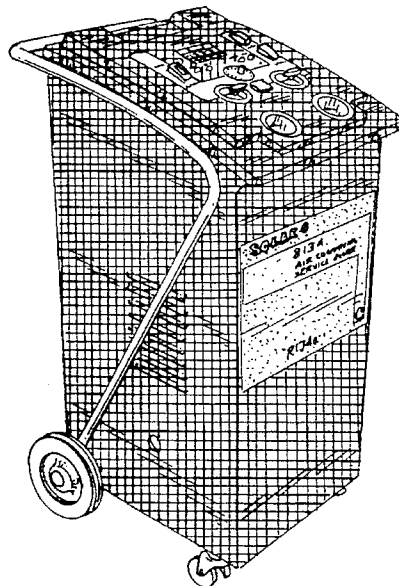


Fig. 1

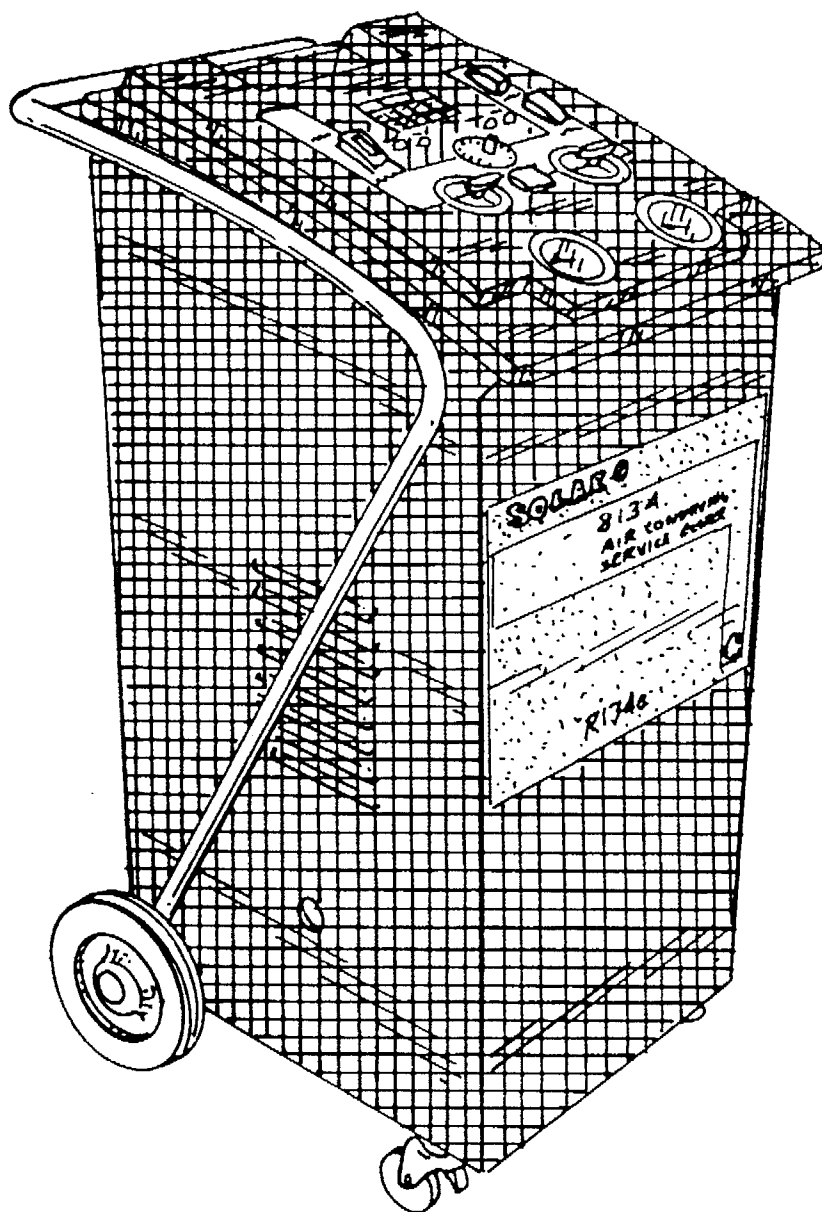


Fig. 3

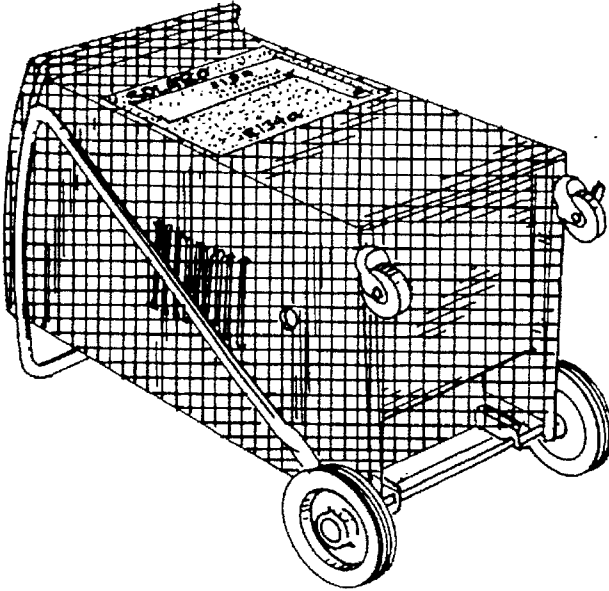


Fig. 2

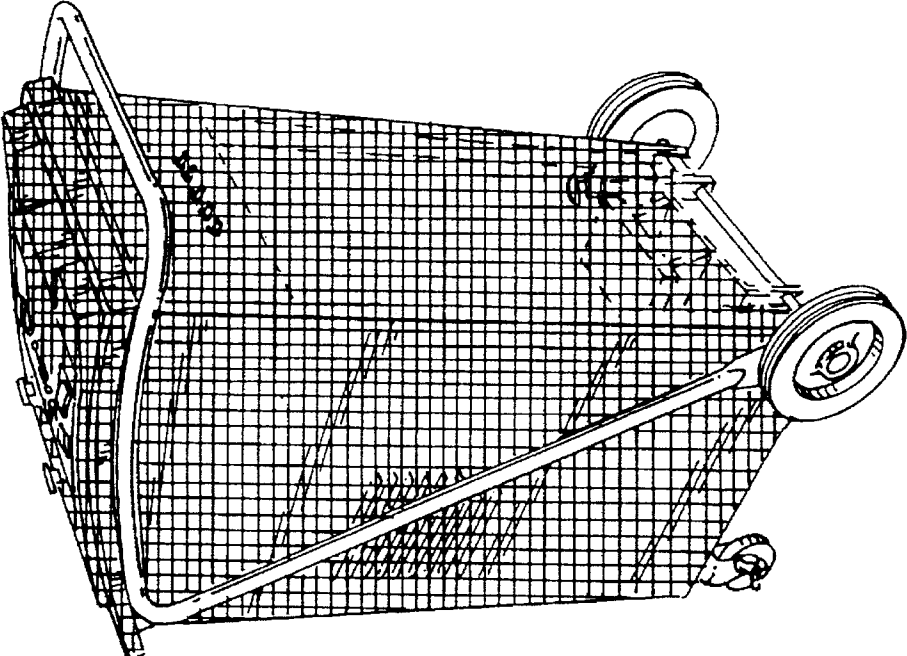


Fig. 5

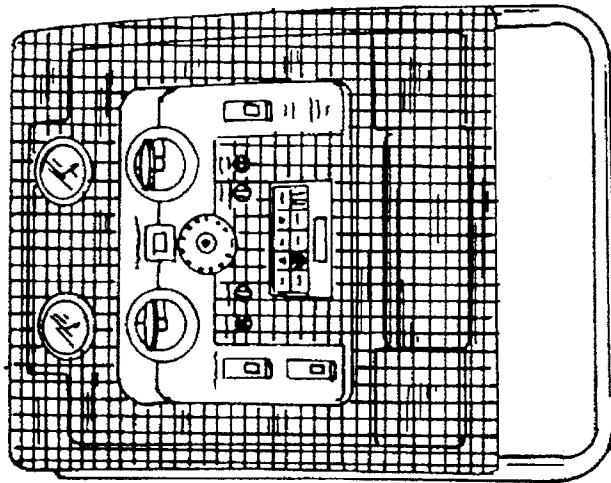


Fig. 4

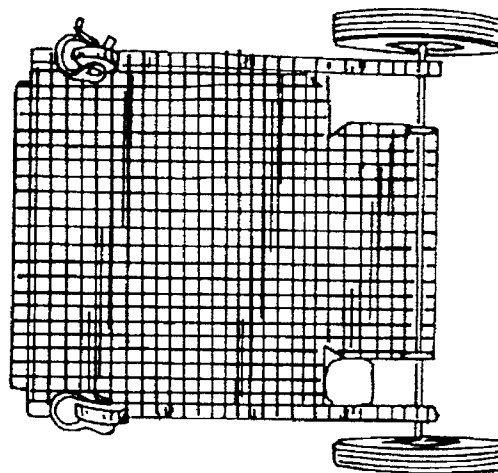


Fig. 7

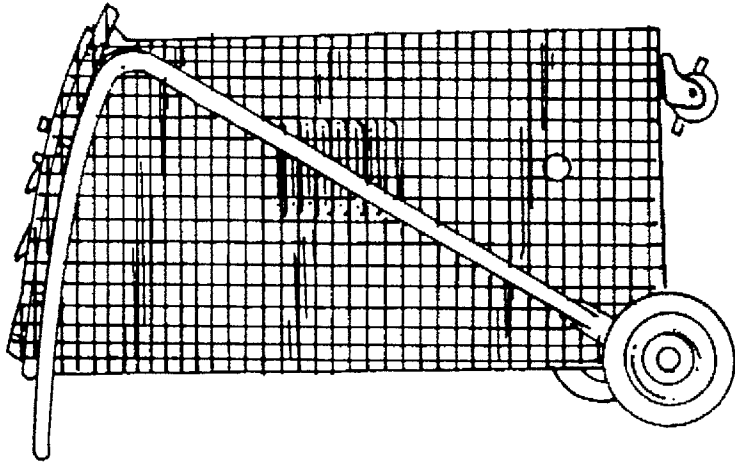


Fig. 6

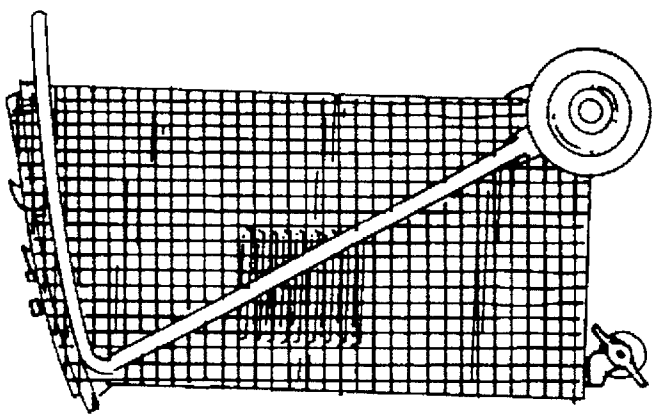


Fig. 8

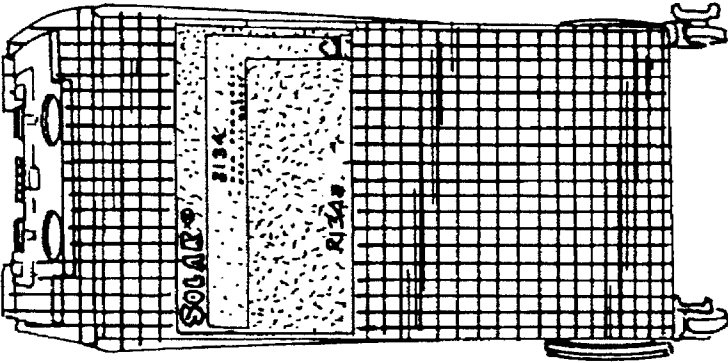


Fig. 9

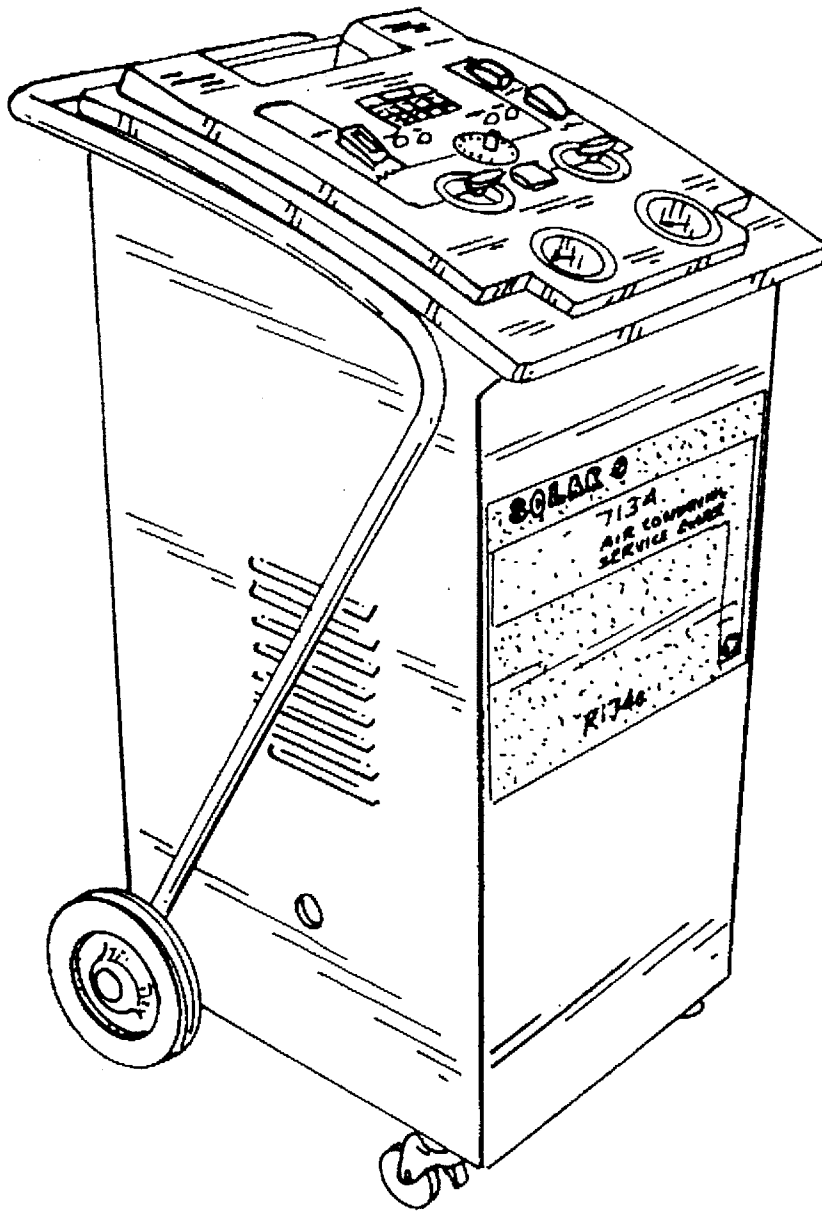


Fig. 11

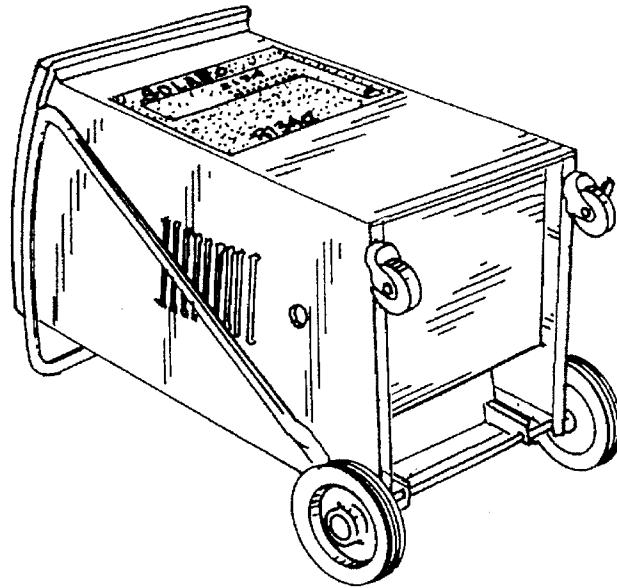


Fig. 10

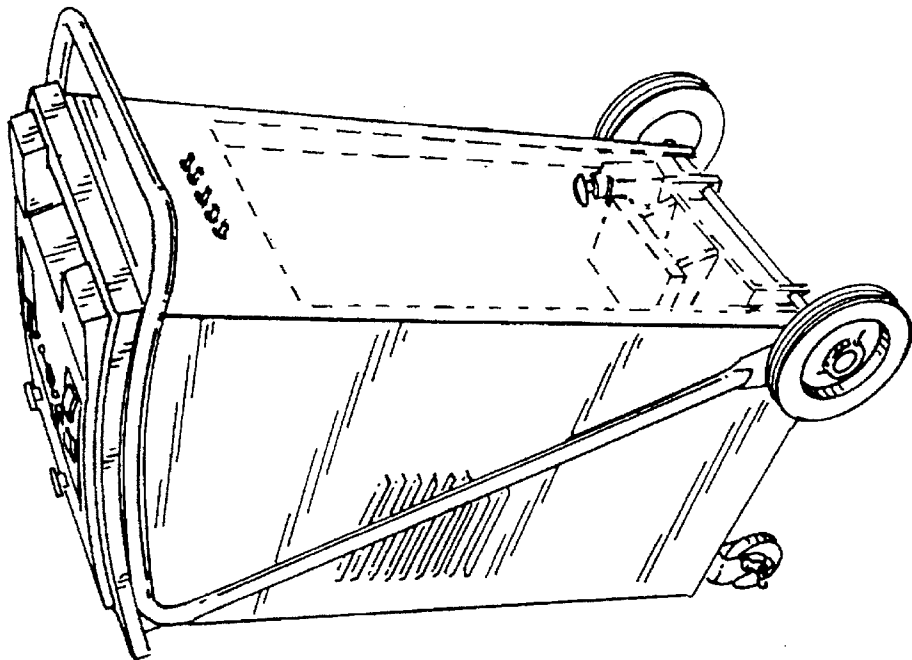


Fig. 13

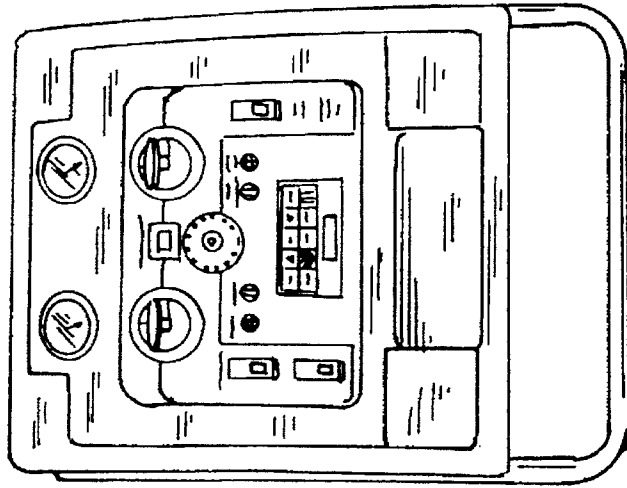


Fig. 12

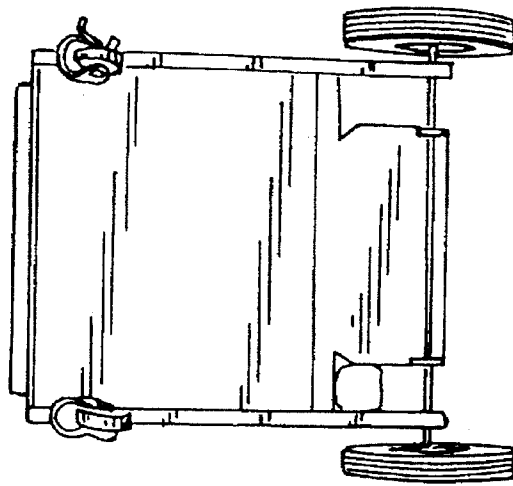


Fig. 15

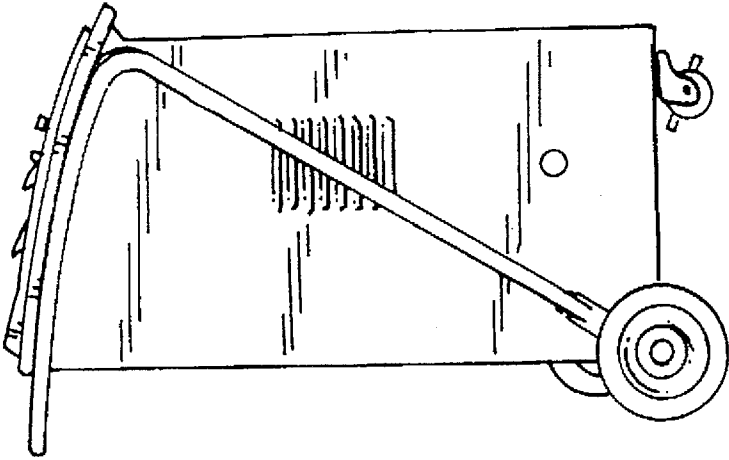


Fig. 14

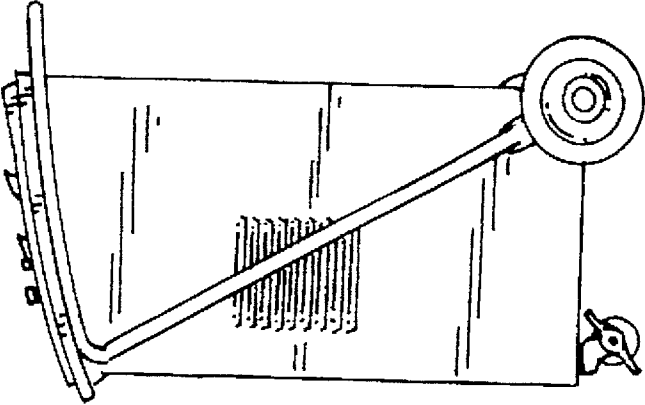


Fig. 16

