

[54] **HAIR SPRAY FACE SHIELD**
 [76] **Inventor: Elisabeth Holmström, N.**
 Centralgatan 7, 803 11 Gävle,
 Sweden

[**] **Term: 14 Years**

[21] **Appl. No.: 257,775**

[22] **Filed: Oct. 14, 1988**

[30] **Foreign Application Priority Data**
 Apr. 14, 1988 [SE] Sweden 88-0906
 [52] **U.S. Cl.** **D28/9**
 [58] **Field of Search** **D28/9, 10, 20, 99, 18,**
D28/19; 132/212, 285, 319, 333; 2/9-12, 174;
D9/305, 306, 433; D7/400; D29/7, 8, 16-18;
229/93, 4.5

[56] **References Cited**
U.S. PATENT DOCUMENTS

47,822 5/1865 Hoard et al. 229/4.5
 D. 102,673 1/1937 Berk D29/18
 D. 180,006 4/1957 Barth D28/19X
 1,158,871 11/1915 Tomlin 229/93

1,548,682 8/1925 Gulin 229/4.5 X
 3,167,785 2/1965 Uhl 2/174
 3,206,760 9/1965 Santala 2/9
 3,488,772 1/1970 Sturm 132/333 X

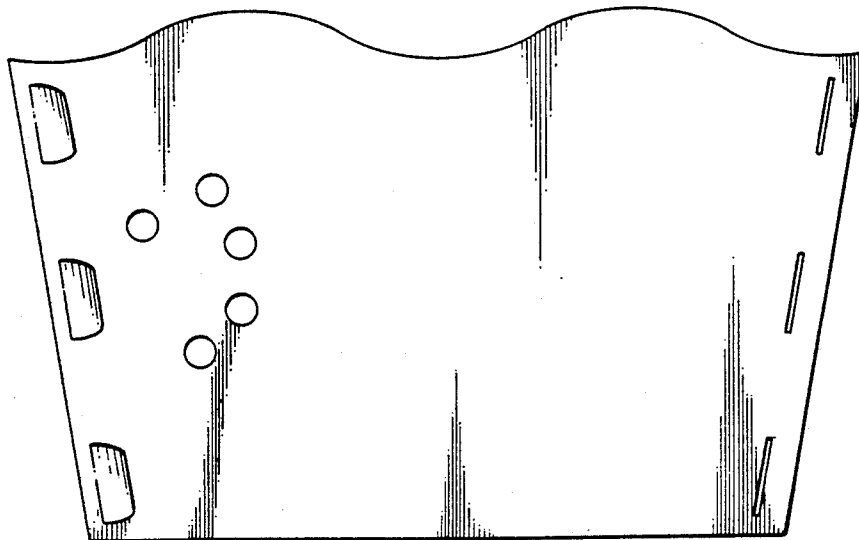
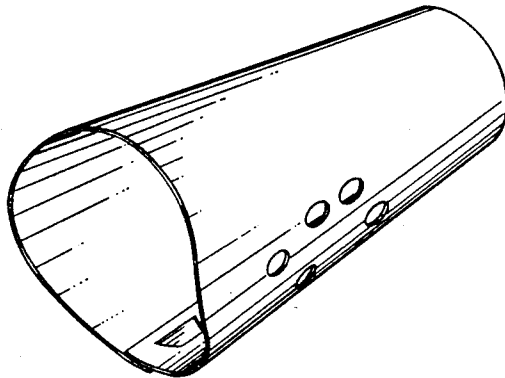
Primary Examiner—Bernard Ansher
Assistant Examiner—C. Tuttle
Attorney, Agent, or Firm—Charles A. Brown

[57] **CLAIM**

The ornamental design for a hair spray face shield, as shown.

DESCRIPTION

FIG. 1 is a front perspective view of a hair spray face shield in an unassembled condition, showing my new design;
 FIG. 2 is a rear perspective view thereof;
 FIG. 3 is a top front perspective view, shown in the assembled condition;
 FIG. 4 is a bottom, rear perspective view thereof;
 FIG. 5 is a plan view, shown in the unassembled condition;
 FIG. 6 is a front end elevational view, in the assembled condition; and
 FIG. 7 is a rear end elevational view thereof.



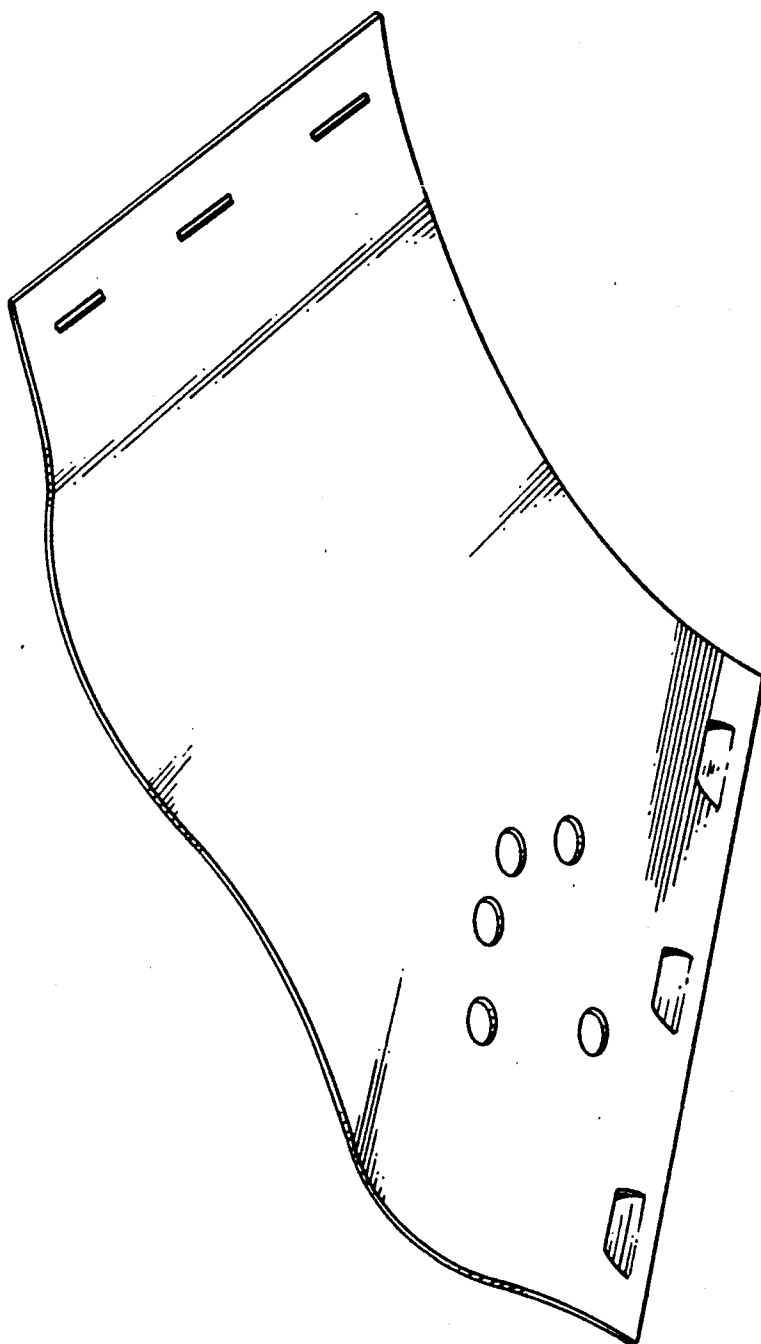


Fig. 1

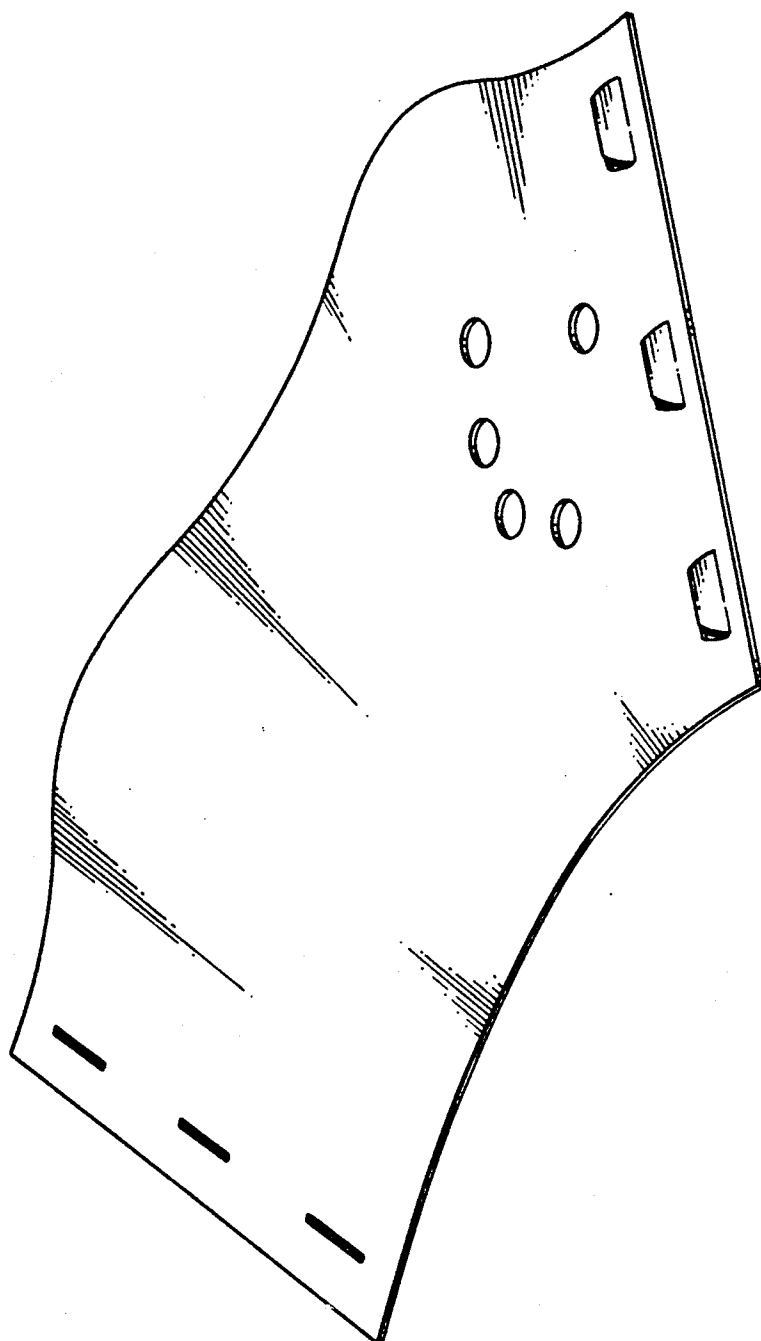


Fig. 2

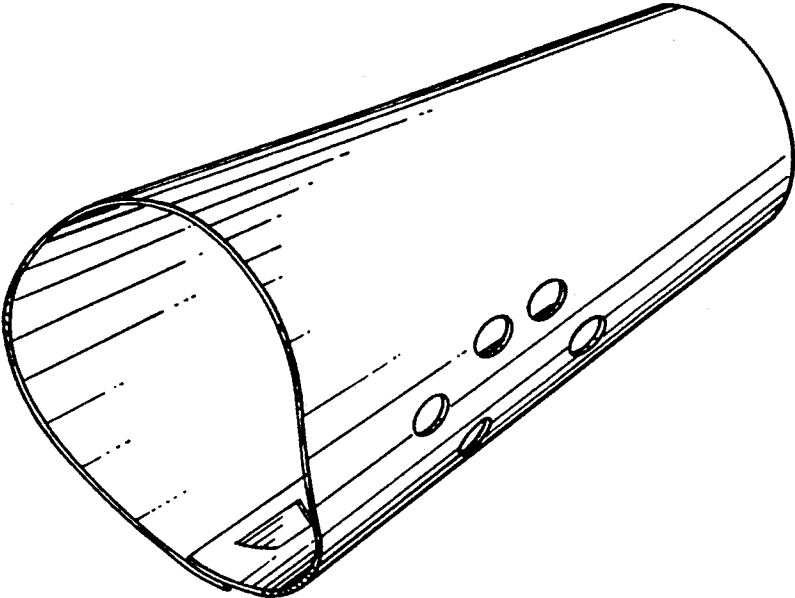


Fig. 3

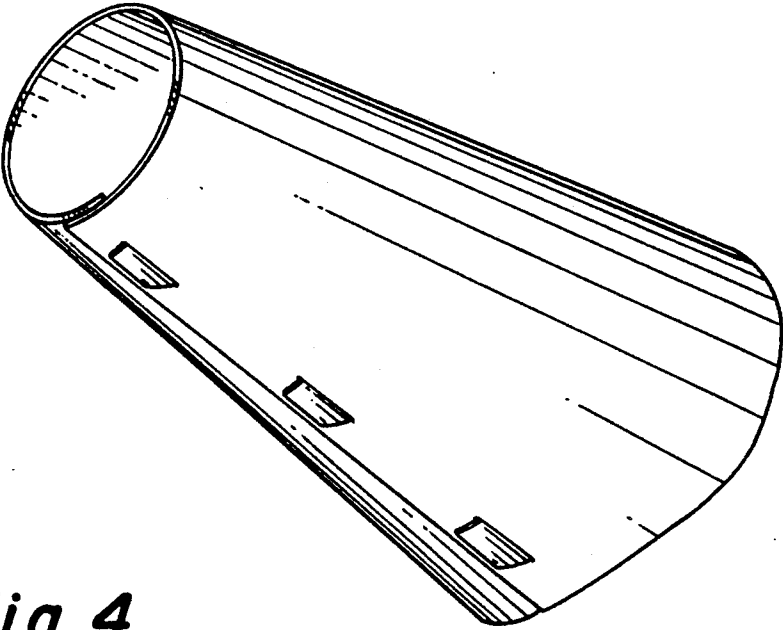


Fig. 4

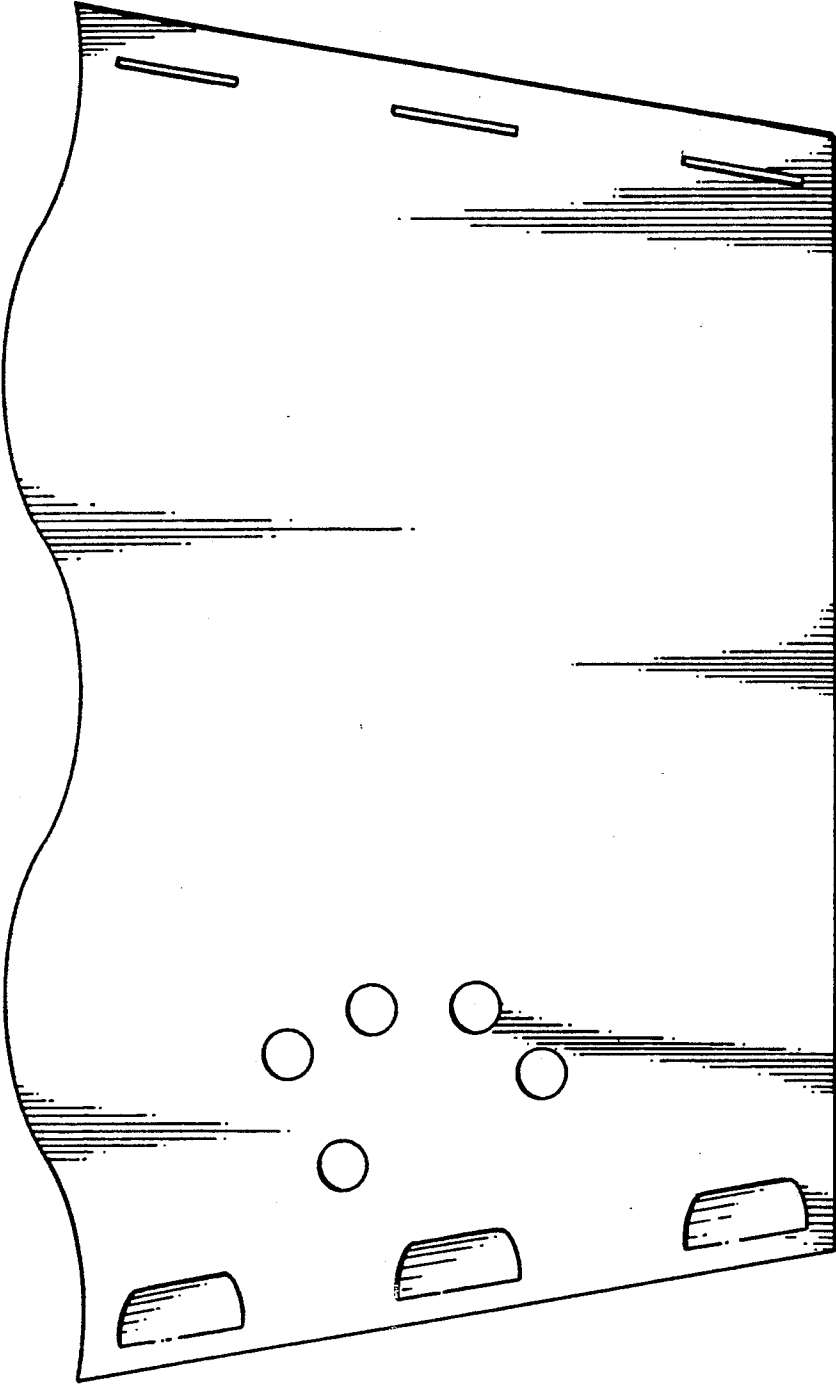


Fig. 5

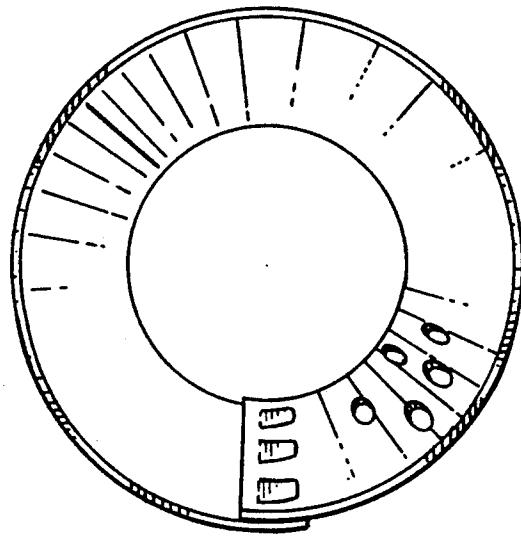


Fig. 6

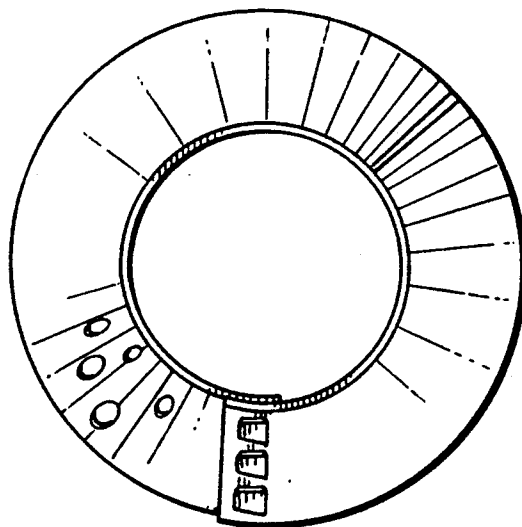


Fig. 7