



US00D859135S

(12) **United States Design Patent** (10) **Patent No.:** **US D859,135 S**
Pista et al. (45) **Date of Patent:** **** Sep. 10, 2019**

- (54) **SCREW**
- (71) Applicant: **Cisco Technology, Inc.**, San Jose, CA (US)
- (72) Inventors: **Alex Pista**, San Jose, CA (US);
Michael Lenz, Lake Oswego, OR (US);
Paolo Sandro Trevisan, Miami, FL (US);
Francisco Barboza, Miami, FL (US)
- (73) Assignee: **CISCO TECHNOLOGY, INC.**, San Jose, CA (US)
- (**) Term: **15 Years**
- (21) Appl. No.: **29/667,568**
- (22) Filed: **Oct. 23, 2018**

3,343,581 A	9/1967	Martin et al.	
D268,650 S	4/1983	Kirstine	
D268,903 S *	5/1983	Douglas	D9/453
D268,905 S	5/1983	Douglas	
D270,642 S	9/1983	Watts	
D283,591 S	4/1986	Swanstrom	
D299,699 S	2/1989	Ask	
D323,617 S	2/1992	Miller	
D388,316 S	12/1997	McDonough	
D399,048 S *	10/1998	Sayre	D3/202
D418,390 S	1/2000	Marquis	
6,644,903 B1	11/2003	Arand	

(Continued)

Primary Examiner — Sandra S Snapp
Assistant Examiner — Ieisha N Price
(74) *Attorney, Agent, or Firm* — Polsinelli PC

Related U.S. Application Data

- (63) Continuation of application No. 29/547,024, filed on Nov. 30, 2015, now Pat. No. Des. 834,404.
- (51) **LOC (12) Cl.** **08-08**
- (52) **U.S. Cl.**
USPC **D8/387**; D8/312; D8/397
- (58) **Field of Classification Search**
USPC D8/349, 354, 382, 387, 395, 499, 300,
D8/307, 321, 322; D9/434, 435, 452,
D9/453, 499
CPC F16B 41/002; F16B 5/0208; F16B 39/28;
Y10S 411/97; Y10S 411/999; B65D
41/02; B65D 41/04; A61J 1/00; A61J
1/03
See application file for complete search history.

References Cited

U.S. PATENT DOCUMENTS

3,180,389 A	4/1965	Frank	
D204,103 S *	3/1966	Lydon	D9/447
3,244,212 A	4/1966	Barry	

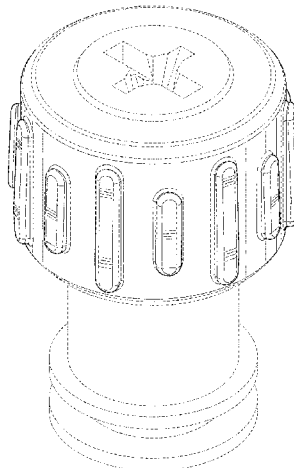
(57) **CLAIM**

We claim the ornamental design for a screw, shown and described.

DESCRIPTION

FIG. 1 is a perspective view of a first embodiment of a screw, showing our new design;
FIG. 2 is a top plan view thereof;
FIG. 3 is a bottom plan view thereof;
FIG. 4 is a front elevational view thereof;
FIG. 5 is a rear elevational view thereof;
FIG. 6 is a left side elevational view thereof; and
FIG. 7 is a right side elevational view thereof.
FIG. 8 is a perspective view of a second embodiment of a screw, showing our new design;
FIG. 9 is a top plan view of FIG. 8;
FIG. 10 is a bottom plan view of FIG. 8;
FIG. 11 is a front elevational view of FIG. 8;
FIG. 12 is a rear elevational view of FIG. 8;
FIG. 13 is a left side elevational view of FIG. 8; and,
FIG. 14 is a right side elevational view of FIG. 8.
The broken lines in the drawings illustrate portions of the screw and form no part of the claimed design.

1 Claim, 14 Drawing Sheets



(56)

References Cited

U.S. PATENT DOCUMENTS

D551,958 S 10/2007 Chen
D591,144 S 4/2009 Hennessey et al.
D713,007 S * 9/2014 Boyer D23/235
RE45,374 E * 2/2015 Greenfield D9/443
D736,358 S 8/2015 Melo
D757,545 S * 5/2016 King D9/453
D757,546 S 5/2016 Seifer
D761,653 S * 7/2016 Greenfield D9/453
D763,690 S * 8/2016 Greenfield D9/453
D779,837 S 2/2017 Lin
D796,326 S 9/2017 Ichikawa
D830,122 S * 10/2018 Seiders D7/398
D834,404 S * 11/2018 Pista D8/387
D837,628 S * 1/2019 Neal D8/310
2005/0236425 A1 10/2005 Casale
2009/0020558 A1* 1/2009 Bolli B65D 5/748
222/83
2009/0317208 A1 12/2009 Wang
2010/0088886 A1 4/2010 Wang
2011/0072630 A1 3/2011 Bentrim
2014/0119850 A1 5/2014 Bentrim
2014/0314516 A1* 10/2014 Bowers F16B 37/067
411/344
2015/0260216 A1 9/2015 Tseng
2015/0292538 A1 10/2015 He
2017/0074303 A1 3/2017 Bowers

* cited by examiner

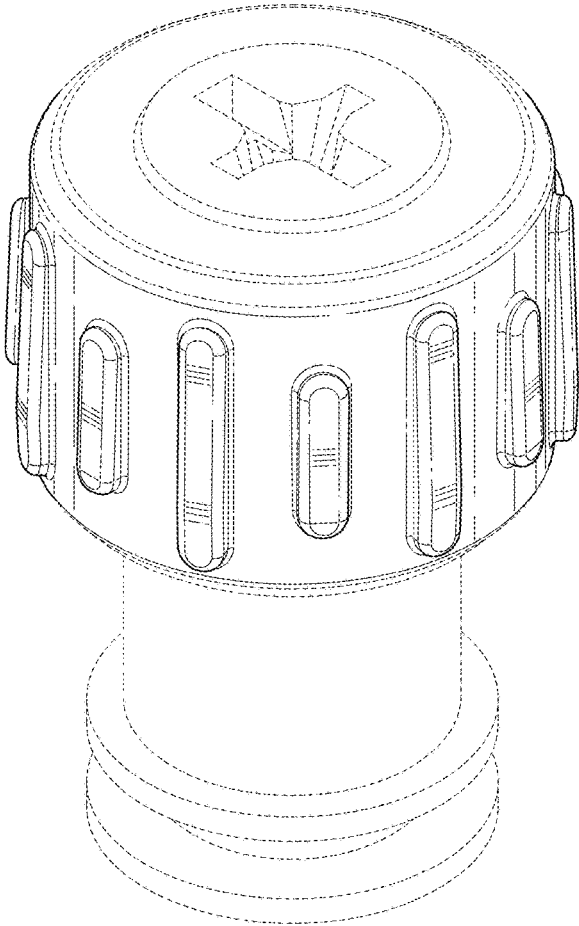


FIG. 1

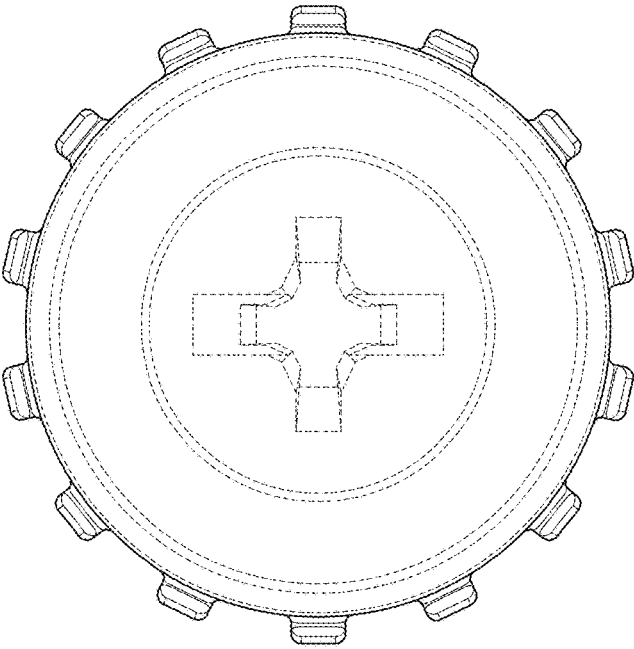


FIG. 2

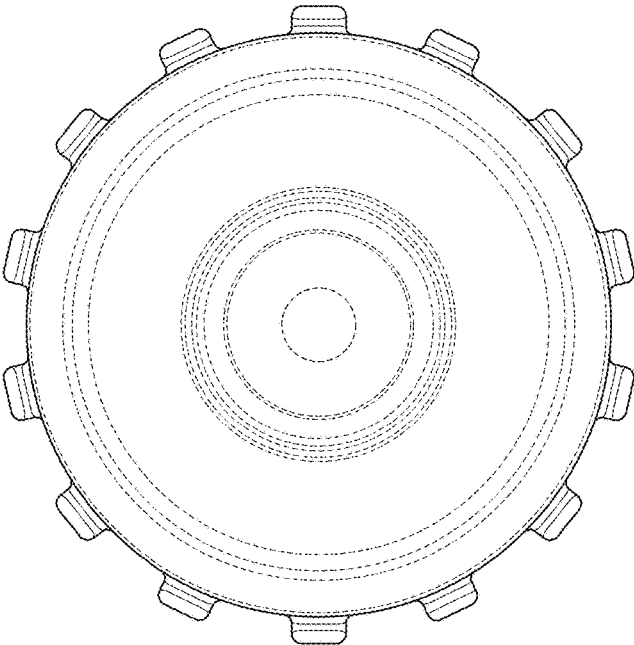


FIG. 3

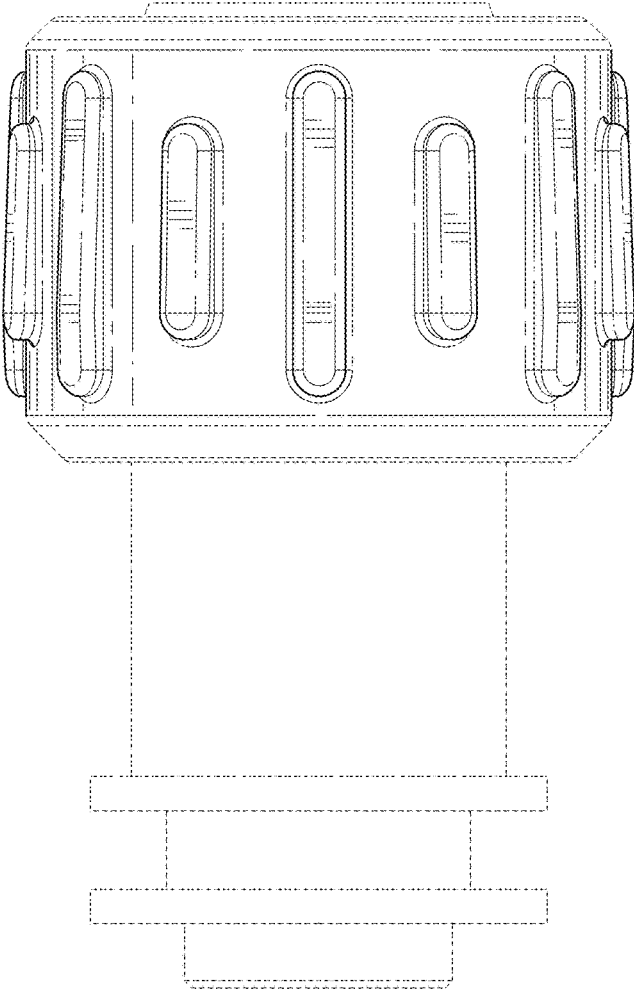


FIG. 4

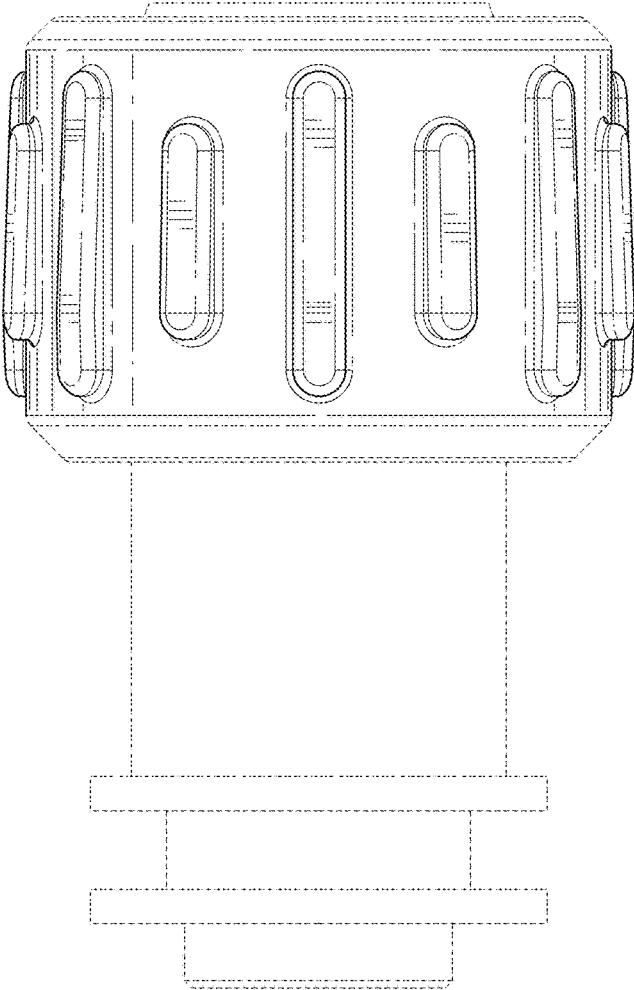


FIG. 5

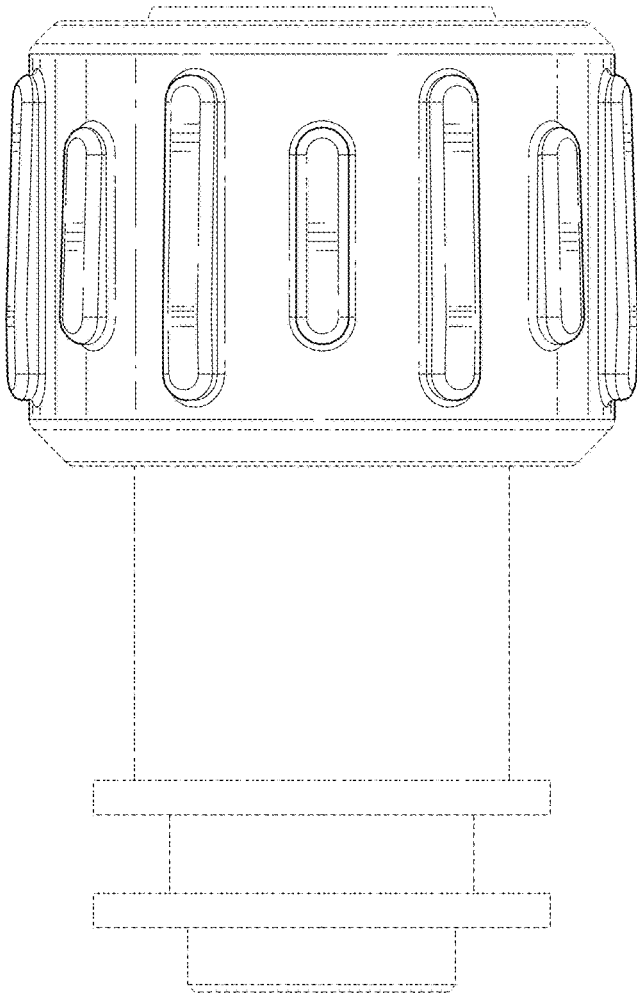


FIG. 6

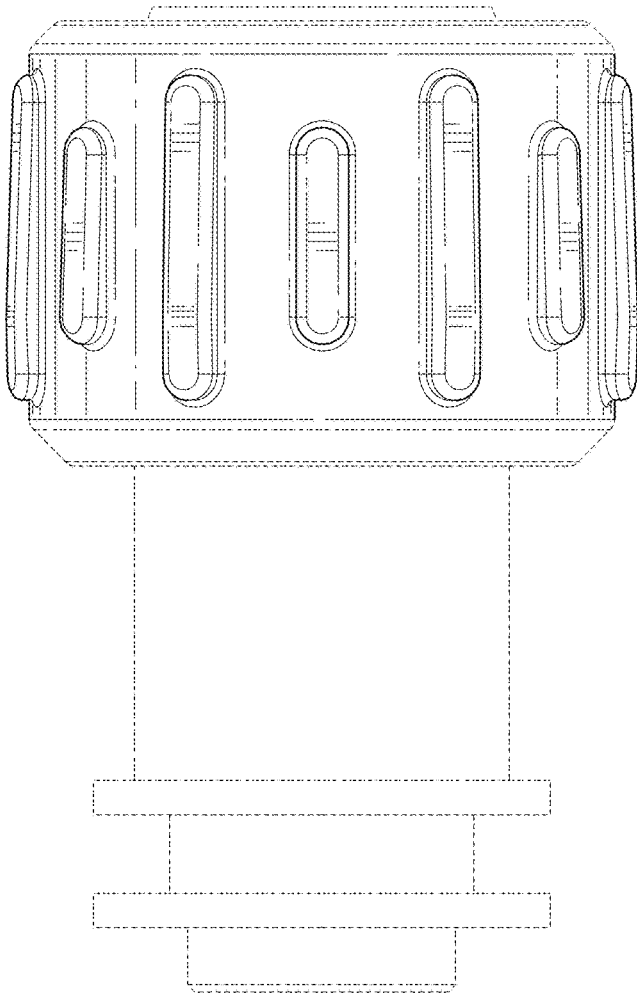


FIG. 7

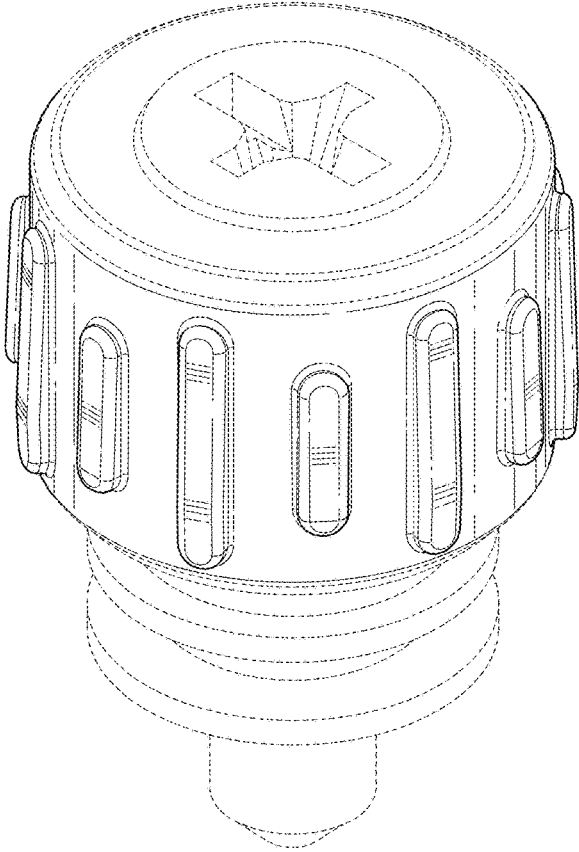


FIG. 8

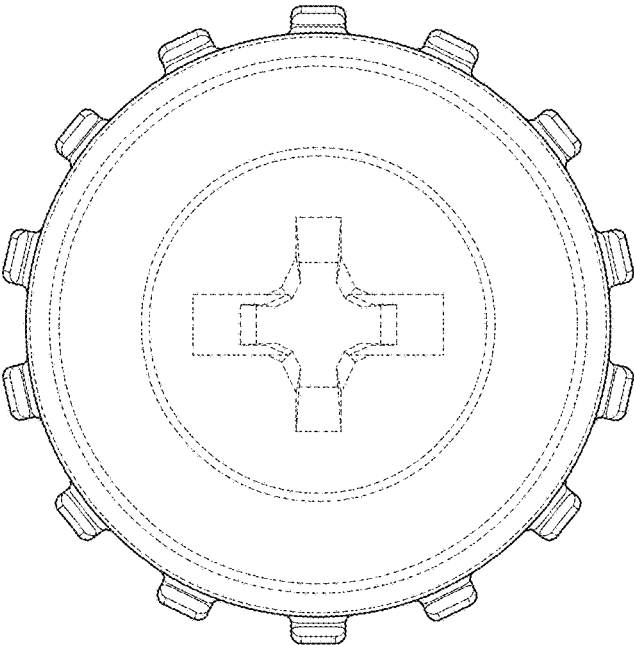


FIG. 9

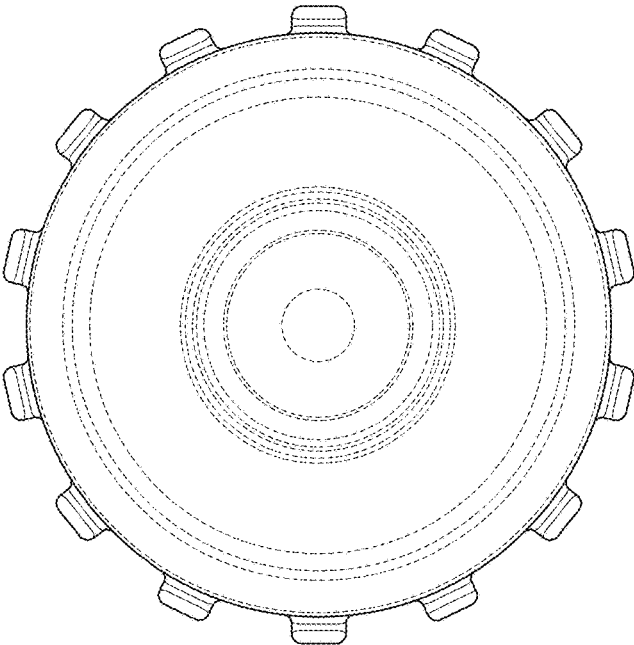


FIG. 10

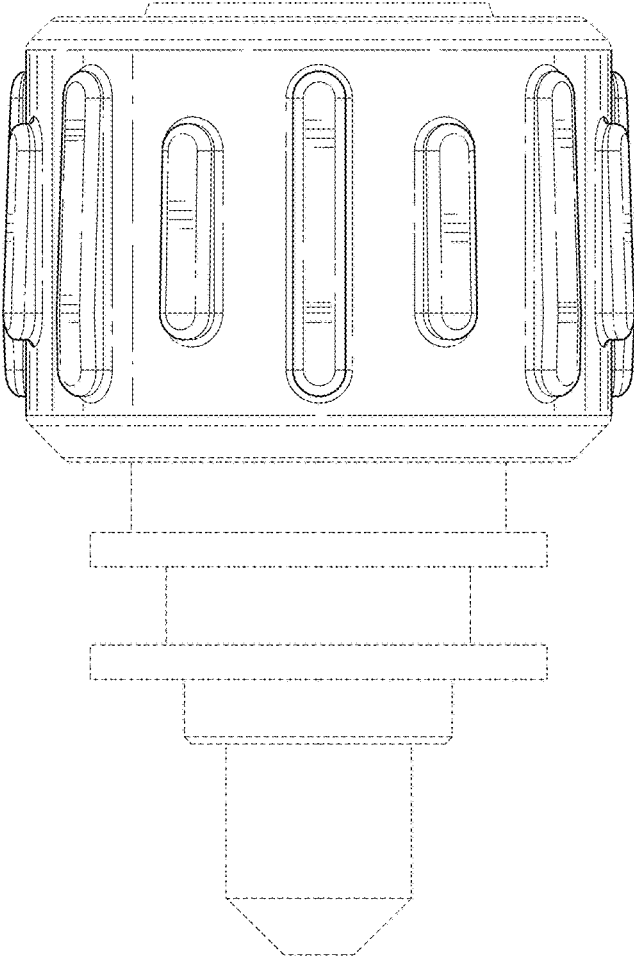


FIG. 11

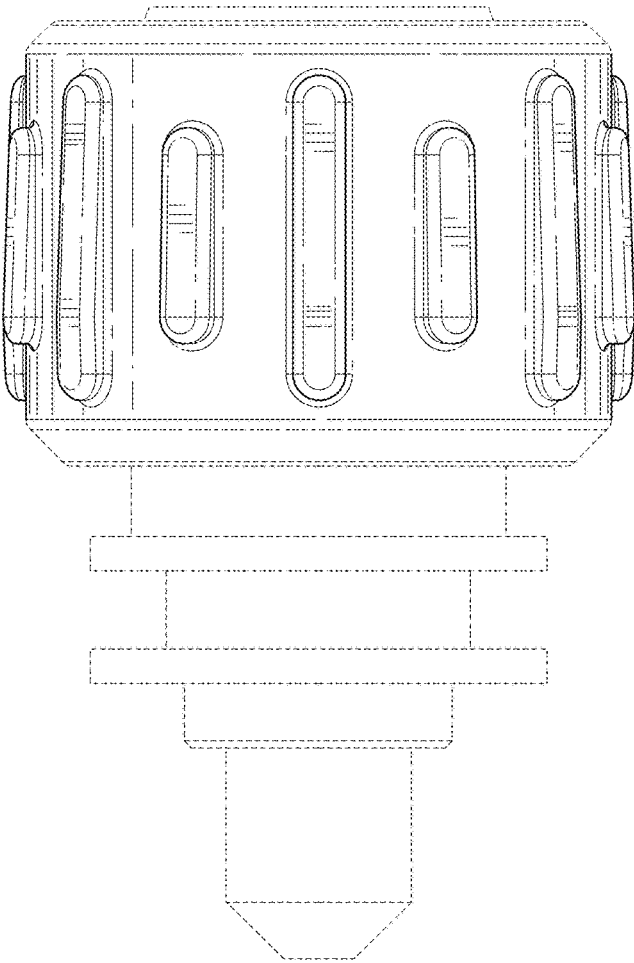


FIG. 12

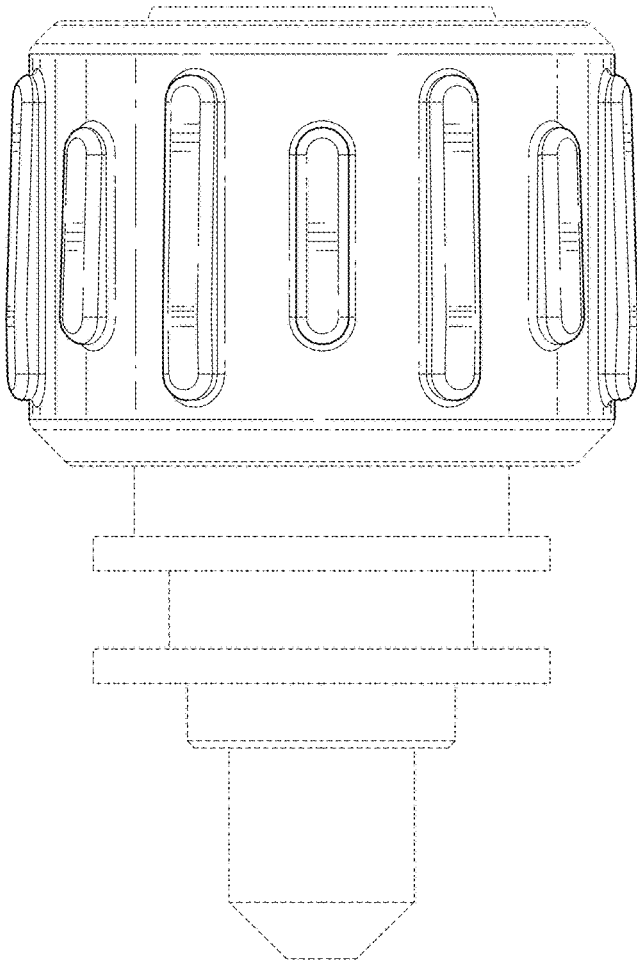


FIG. 13

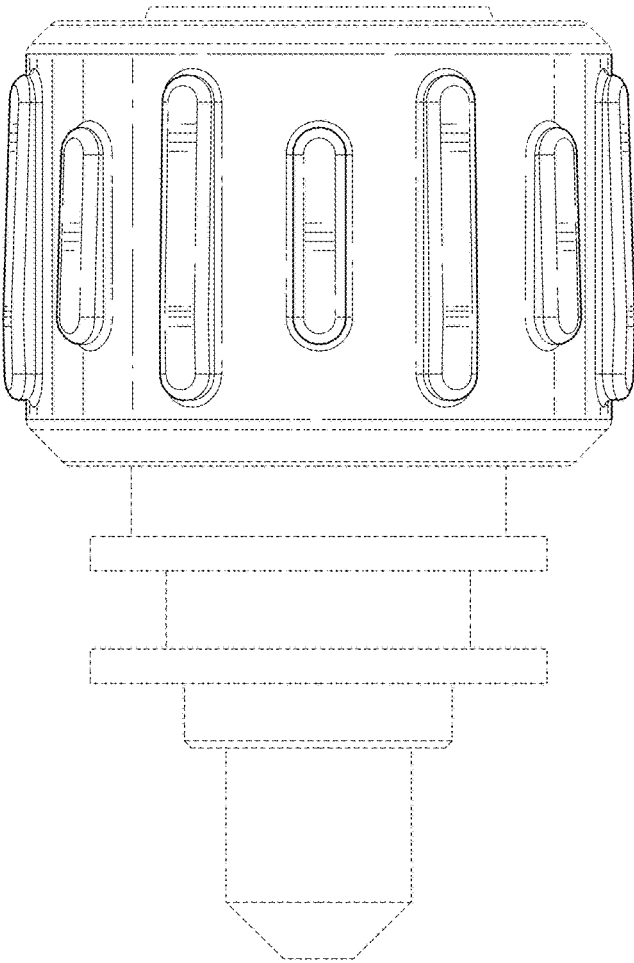


FIG. 14