

(19) World Intellectual Property Organization  
International Bureau



(43) International Publication Date  
22 November 2007 (22.11.2007)

PCT

(10) International Publication Number  
**WO 2007/134063 A3**

- (51) International Patent Classification:  
A61B 5/00 (2006.01) B61B 5/02 (2006.01)
- (21) International Application Number:  
PCT/US2007/068487
- (22) International Filing Date: 8 May 2007 (08.05.2007)
- (25) Filing Language: English
- (26) Publication Language: English
- (30) Priority Data:  
60/798,865 9 May 2006 (09.05.2006) US
- (71) Applicant (for all designated States except US): **SURGICAL TRANSFORMATIONS, LLC** [US/US]; 1 Cotswald Lane, Princeton, New Jersey 08540 (US).
- (72) Inventors; and
- (75) Inventors/Applicants (for US only): **CHOI, Jai Seung** [KR/KR]; 104-202 Hyundai APT, Oksu-dong, Sungdong-gu, Seoul (KR). **LIANG, Kelvin Yu Chung** [US/US]; 6740 163rd PL SE, Bellevue, Washington 98006 (US). **HSU, Shente Steven** [CA/US]; Olin Residence

Hall, Room #718, 4550 Scott Avenue, St. Louis, Missouri 63110 (US). **LEE, Eric Chi Kuo** [US/US]; 885 Watford Ln, Bethlehem, Pennsylvania 18017 (US).

(74) Agent: **MCALEAVEY, Andrew**; PatentBest, 4600 Adeline St., #101, Emeryville, California 94608 (US).

(81) Designated States (unless otherwise indicated, for every kind of national protection available): AE, AG, AL, AM, AT, AU, AZ, BA, BB, BG, BH, BR, BW, BY, BZ, CA, CH, CN, CO, CR, CU, CZ, DE, DK, DM, DZ, EC, EE, EG, ES, FI, GB, GD, GE, GH, GM, GT, HN, HR, HU, ID, IL, IN, IS, JP, KE, KG, KM, KN, KP, KR, KZ, LA, LC, LK, LR, LS, LT, LU, LY, MA, MD, MG, MK, MN, MW, MX, MY, MZ, NA, NG, NI, NO, NZ, OM, PG, PH, PL, PT, RO, RS, RU, SC, SD, SE, SG, SK, SL, SM, SV, SY, TJ, TM, TN, TR, TT, TZ, UA, UG, US, UZ, VC, VN, ZA, ZM, ZW.

(84) Designated States (unless otherwise indicated, for every kind of regional protection available): ARIPO (BW, GH, GM, KE, LS, MW, MZ, NA, SD, SL, SZ, TZ, UG, ZM, ZW), Eurasian (AM, AZ, BY, KG, KZ, MD, RU, TJ, TM), European (AT, BE, BG, CH, CY, CZ, DE, DK, EE, ES, FI,

[Continued on next page]

(54) Title: VENOUS-ARTERIAL DETECTOR AND PRESSURE INDICATOR

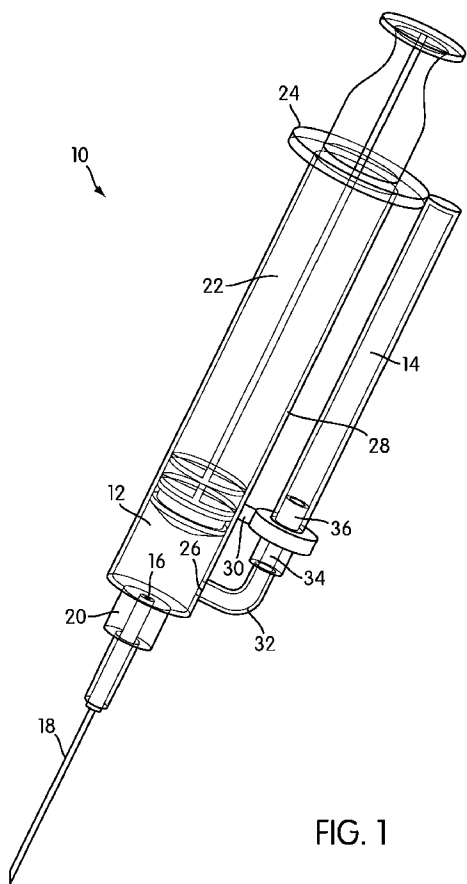


FIG. 1

(57) Abstract: A venous-arterial detector is disclosed. The detector includes a first chamber in fluid communication with a needle, and an indicator chamber in selective fluid communication with the first chamber through a valve. The indicator chamber is pre-pressurized to a defined pressure that preferably exceeds the typical venous pressure, and the valve retains that pressure within the indicator chamber. When the needle is inserted into a vessel, if the pressure in the vessel is greater than the defined pressure in the indicator chamber, blood will flow into the indicator chamber, indicating that the vessel is most likely to be an artery.

WO 2007/134063 A3



FR, GB, GR, HU, IE, IS, IT, LT, LU, LV, MC, MT, NL, PL,  
PT, RO, SE, SI, SK, TR), OAPI (BF, BJ, CF, CG, CI, CM,  
GA, GN, GQ, GW, ML, MR, NE, SN, TD, TG).

— *before the expiration of the time limit for amending the  
claims and to be republished in the event of receipt of  
amendments*

**Published:**

— *with international search report*

**(88) Date of publication of the international search report:**

27 November 2008

**INTERNATIONAL SEARCH REPORT**

International application No.  
PCT/US07/68487

**A. CLASSIFICATION OF SUBJECT MATTER**  
 IPC: **A61B 5/00(2006.01),5/02(2006.01)**  
  
 USPC: **600/300,481,485,486**  
 According to International Patent Classification (IPC) or to both national classification and IPC

**B. FIELDS SEARCHED**  
 Minimum documentation searched (classification system followed by classification symbols)  
 U.S. : **600/300,481,485,486**

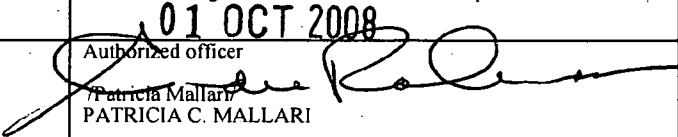
Documentation searched other than minimum documentation to the extent that such documents are included in the fields searched

Electronic data base consulted during the international search (name of data base and, where practicable, search terms used)

**C. DOCUMENTS CONSIDERED TO BE RELEVANT**

Category *	Citation of document, with indication, where appropriate, of the relevant passages	Relevant to claim No.
X --- A	US 5,454,374 A (OMACHI) 3 October 1995 (03.10.1995), figs. 10, 11; col. 4, lines 40-67; col. 6, lines 46-67; col. 8, line 61-col. 9, line 6	1 ----- 2-11

<input type="checkbox"/> Further documents are listed in the continuation of Box C.	<input type="checkbox"/> See patent family annex.
* Special categories of cited documents:	
"A" document defining the general state of the art which is not considered to be of particular relevance	"T" later document published after the international filing date or priority date and not in conflict with the application but cited to understand the principle or theory underlying the invention
"E" earlier application or patent published on or after the international filing date	"X" document of particular relevance; the claimed invention cannot be considered novel or cannot be considered to involve an inventive step when the document is taken alone
"L" document which may throw doubts on priority claim(s) or which is cited to establish the publication date of another citation or other special reason (as specified)	"Y" document of particular relevance; the claimed invention cannot be considered to involve an inventive step when the document is combined with one or more other such documents, such combination being obvious to a person skilled in the art
"O" document referring to an oral disclosure, use, exhibition or other means	"&" document member of the same patent family
"P" document published prior to the international filing date but later than the priority date claimed	

Date of the actual completion of the international search 03 September 2008 (03.09.2008)	Date of mailing of the international search report 01 OCT 2008
Name and mailing address of the ISA/US Mail Stop PCT, Attn: ISA/US Commissioner for Patents P.O. Box 1450 Alexandria, Virginia 22313-1450 Facsimile No. (571) 273-3201	Authorized officer  PATRICIA C. MALLARI Telephone No. (571) 272-3000