



US00D725888S

(12) **United States Design Patent**
Bosomworth

(10) **Patent No.:** **US D725,888 S**

(45) **Date of Patent:** **** Apr. 7, 2015**

(54) **UPPER OF A FOOTWEAR ARTICLE**

(71) Applicant: **Salomon S.A.S., Metz-Tessy (FR)**

(72) Inventor: **Warren Bosomworth, Annecy-le-Vieux (FR)**

(73) Assignee: **Salomon S.A.S., Annecy (FR)**

(**) Term: **14 Years**

(21) Appl. No.: **29/456,814**

(22) Filed: **Jun. 4, 2013**

(51) **LOC (10) Cl.** **02-99**

(52) **U.S. Cl.**
USPC **D2/972**

(58) **Field of Classification Search**

USPC D2/902, 906-908, 944, 969, 972-974;
36/45, 50.1, 77 M, 77 R, 83, 88, 113,
36/114, 126-131

See application file for complete search history.

(56) **References Cited**

U.S. PATENT DOCUMENTS

D357,796 S *	5/1995	Crowley, II	D2/972
D380,291 S *	7/1997	Morris	D2/972
D383,595 S *	9/1997	Morris	D2/969
D479,392 S *	9/2003	Hillyer	D2/972
D481,530 S *	11/2003	Hillyer	D2/972
D528,771 S *	9/2006	Lupo	D2/972

D551,839 S *	10/2007	Bertholon	D2/972
D622,052 S *	8/2010	Grenet	D2/972
D622,055 S *	8/2010	Bosomworth	D2/972
D629,190 S *	12/2010	Bosomworth	D2/972
D629,599 S *	12/2010	Bosomworth	D2/972
D643,199 S *	8/2011	Fuhrer	D2/972
D658,866 S *	5/2012	Stryjak et al.	D2/972

* cited by examiner

Primary Examiner — Dominic Simone

(74) *Attorney, Agent, or Firm* — Terence P. O'Brien

(57) **CLAIM**

I claim the ornamental design for an upper of a footwear article, as shown and described.

DESCRIPTION

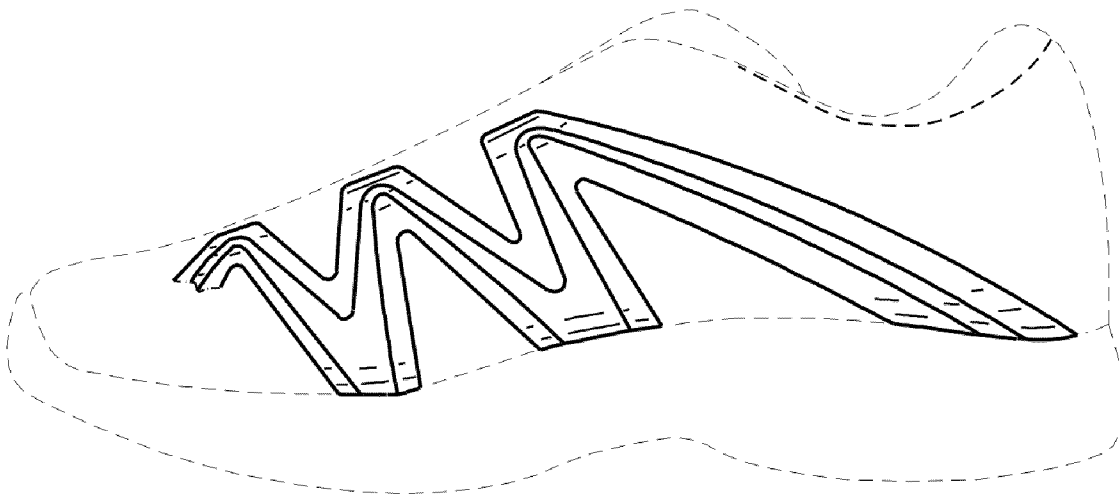
FIG. 1 is a side perspective view of an upper of a footwear article;

FIG. 2 is a side view of the upper of a footwear article of FIG. 1; and,

FIG. 3 is a top view of the upper of a footwear article of FIG. 1.

The ornamental design that is claimed is shown in solid lines in the drawings. The broken (dashed) lines shown in the figures are included for the purpose of illustrating environmental elements only and form no part of the claimed design.

1 Claim, 1 Drawing Sheet



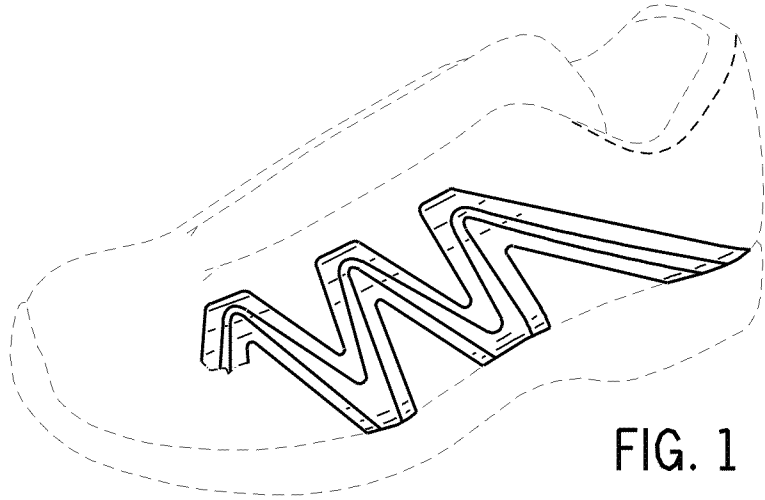


FIG. 1

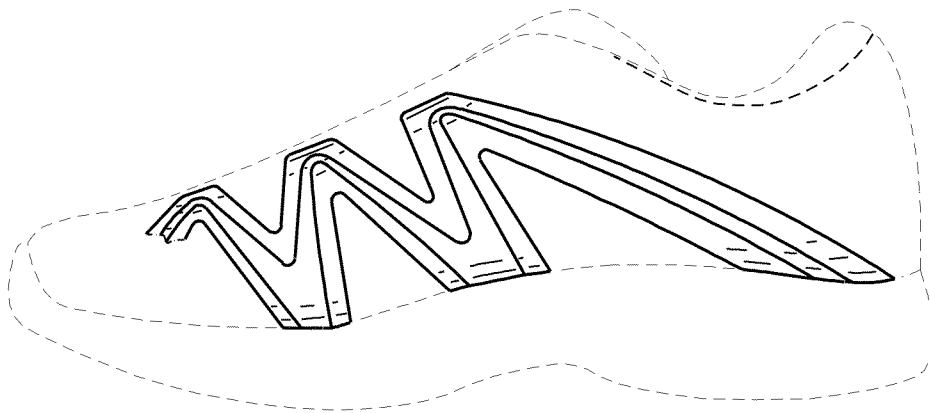


FIG. 2

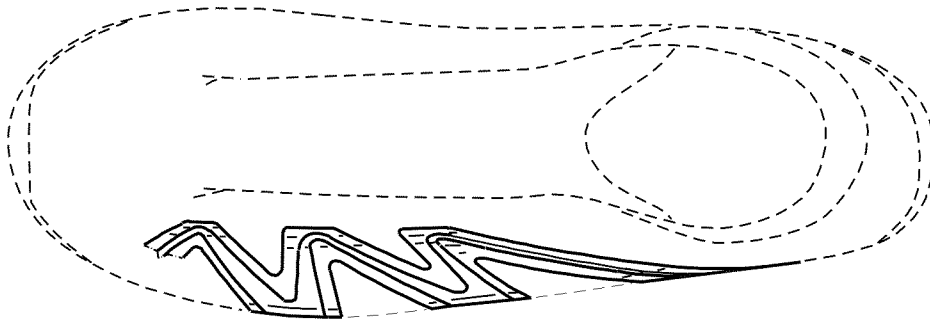


FIG. 3