

(19) World Intellectual Property  
Organization  
International Bureau



(43) International Publication Date  
4 November 2004 (04.11.2004)

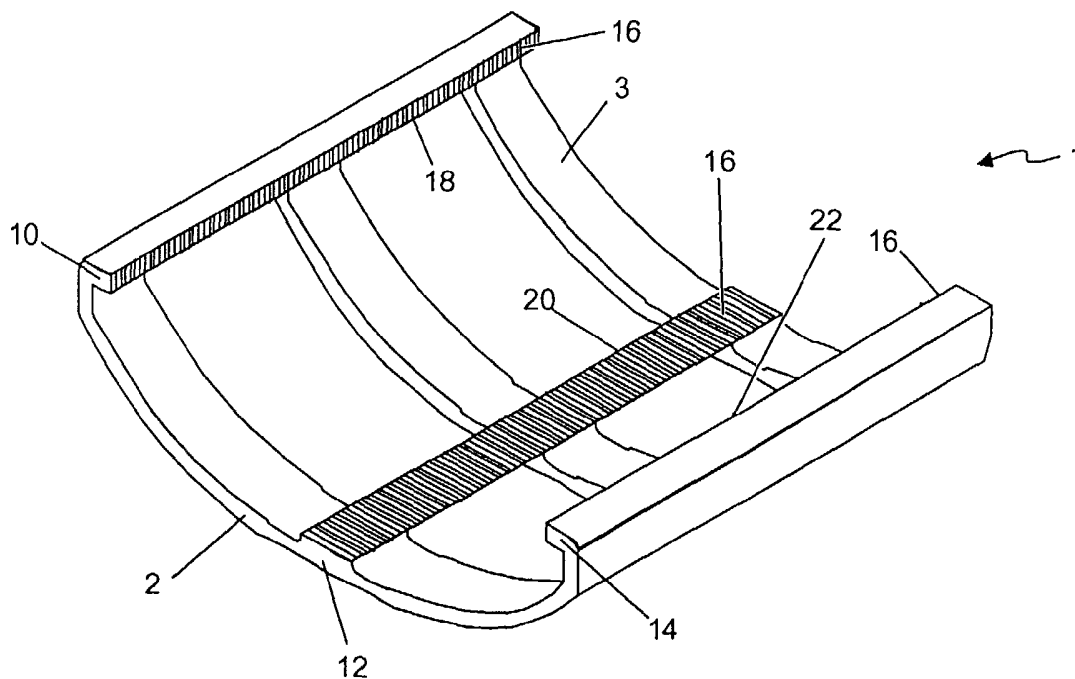
PCT

(10) International Publication Number  
WO 2004/095545 A3

- (51) International Patent Classification<sup>7</sup>: H01L 21/00
- (21) International Application Number:  
PCT/US2004/006847
- (22) International Filing Date: 5 March 2004 (05.03.2004)
- (25) Filing Language: English
- (26) Publication Language: English
- (30) Priority Data:  
10/402,915 28 March 2003 (28.03.2003) US
- (71) Applicant (for all designated States except US): SAINT-GOBAIN CERAMICS & PLASTICS, INC. [US/US];  
1 New Bond Street, Box Number 15138, Worcester, MA 01615-0138 (US).
- (72) Inventors; and
- (75) Inventors/Applicants (for US only): BUCKLEY, Richard, F. [US/US]; 8 Comstock Drive, Shrewsbury, Massachusetts 01545 (US). HAERLE, Andrew, G. [US/US]; 34 Manchaug Road, Sutton, MA 01590 (US). CHANG, Han, C. [US/—]; Science-Based Industrial Park, CRD 13F, No. 3 Li-Hsin Road II, Hsin-Chu City, 300 (\*\*).
- (74) Agent: BUJOLD, Michael, J.; Davis & Bujold, P.L.L.C.,  
500 North Commercial Street, Fourth Floor, Manchester, NH 03101 (US).
- (81) Designated States (unless otherwise indicated, for every kind of national protection available): AE, AG, AL, AM, AT, AU, AZ, BA, BB, BG, BR, BW, BY, BZ, CA, CH, CN, CO, CR, CU, CZ, DE, DK, DM, DZ, EC, EE, EG, ES, FI, GB, GD, GE, GH, GM, HR, HU, ID, IL, IN, IS, JP, KE, KG, KP, KR, KZ, LC, LK, LR, LS, LT, LU, LV, MA, MD, MG, MK, MN, MW, MX, MZ, NA, NI, NO, NZ, OM, PG, PH, PL, PT, RO, RU, SC, SD, SE, SG, SK, SL, SY, TJ, TM, TN, TR, TT, TZ, UA, UG, US, UZ, VC, VN, YU, ZA, ZM, ZW.
- (84) Designated States (unless otherwise indicated, for every kind of regional protection available): ARIPO (BW, GH, GM, KE, LS, MW, MZ, SD, SL, SZ, TZ, UG, ZM, ZW), Eurasian (AM, AZ, BY, KG, KZ, MD, RU, TJ, TM), European (AT, BE, BG, CH, CY, CZ, DE, DK, EE, ES, FI, FR, GB, GR, HU, IE, IT, LU, MC, NL, PL, PT, RO, SE, SI, SK, TR), OAPI (BF, BJ, CF, CG, CI, CM, GA, GN, GQ, GW, ML, MR, NE, SN, TD, TG).
- Published:  
— with international search report

[Continued on next page]

(54) Title: WAFER CARRIER HAVING IMPROVED PROCESSING CHARACTERISTICS



(57) Abstract: A wafer carrier for supporting a plurality of wafers, including a plurality of slots provided in a cradle, the cradle being formed of silicon carbide and having an oxide layer overlying the silicon carbide.

WO 2004/095545 A3



— *before the expiration of the time limit for amending the claims and to be republished in the event of receipt of amendments*

*For two-letter codes and other abbreviations, refer to the "Guidance Notes on Codes and Abbreviations" appearing at the beginning of each regular issue of the PCT Gazette.*

**(88) Date of publication of the international search report:**  
12 May 2005

# INTERNATIONAL SEARCH REPORT

International Application No  
PCT/US2004/006847

<b>A. CLASSIFICATION OF SUBJECT MATTER</b> IPC 7 H01L21/00		
According to International Patent Classification (IPC) or to both national classification and IPC		
<b>B. FIELDS SEARCHED</b>		
Minimum documentation searched (classification system followed by classification symbols) IPC 7 H01L C23C C30B C04B B05C		
Documentation searched other than minimum documentation to the extent that such documents are included in the fields searched		
Electronic data base consulted during the international search (name of data base and, where practical, search terms used) EPO-Internal, WPI Data, PAJ, IBM-TDB		
<b>C. DOCUMENTS CONSIDERED TO BE RELEVANT</b>		
Category °	Citation of document, with indication, where appropriate, of the relevant passages	Relevant to claim No.
X	PATENT ABSTRACTS OF JAPAN vol. 0110, no. 53 (C-404), 19 February 1987 (1987-02-19) -& JP 61 213374 A (HITACHI MICRO COMPUT ENG LTD; others: 01), 22 September 1986 (1986-09-22)	1-14, 29-31
Y	abstract -----	18-22
X	PATENT ABSTRACTS OF JAPAN vol. 0101, no. 97 (E-418), 10 July 1986 (1986-07-10) -& JP 61 042153 A (FUJITSU LTD), 28 February 1986 (1986-02-28) abstract -----	1-4, 29-31
----- -/--		
<input checked="" type="checkbox"/> Further documents are listed in the continuation of box C. <span style="margin-left: 200px;"><input checked="" type="checkbox"/> Patent family members are listed in annex.</span>		
° Special categories of cited documents :		
"A" document defining the general state of the art which is not considered to be of particular relevance "E" earlier document but published on or after the international filing date "L" document which may throw doubts on priority claim(s) or which is cited to establish the publication date of another citation or other special reason (as specified) "O" document referring to an oral disclosure, use, exhibition or other means "P" document published prior to the international filing date but later than the priority date claimed	"T" later document published after the international filing date or priority date and not in conflict with the application but cited to understand the principle or theory underlying the invention "X" document of particular relevance; the claimed invention cannot be considered novel or cannot be considered to involve an inventive step when the document is taken alone "Y" document of particular relevance; the claimed invention cannot be considered to involve an inventive step when the document is combined with one or more other such documents, such combination being obvious to a person skilled in the art. "&" document member of the same patent family	
Date of the actual completion of the international search	Date of mailing of the international search report	
21 February 2005	04 03 2005	
Name and mailing address of the ISA	Authorized officer	
European Patent Office, P.B. 5818 Patentlaan 2 NL - 2280 HV Rijswijk Tel. (+31-70) 340-2040, Tx. 31 651 epo nl, Fax: (+31-70) 340-3016	Hamdani, F	

## INTERNATIONAL SEARCH REPORT

International Application No

PCT/US2004/006847

## C.(Continuation) DOCUMENTS CONSIDERED TO BE RELEVANT

Category °	Citation of document, with indication, where appropriate, of the relevant passages	Relevant to claim No.
X	PATENT ABSTRACTS OF JAPAN vol. 0090, no. 49 (E-300), 2 March 1985 (1985-03-02) -& JP 59 191327 A (HITACHI SEISAKUSHO KK), 30 October 1984 (1984-10-30) abstract -----	1,12-14, 29-31
X	EP 0 308 695 A (TOSHIBA CERAMICS CO) 29 March 1989 (1989-03-29)  abstract; claims; figures -----	1-14, 18-21, 29-31
X	PATENT ABSTRACTS OF JAPAN vol. 0181, no. 99 (E-1534), 7 April 1994 (1994-04-07) -& JP 06 005530 A (TOSHIBA CORP), 14 January 1994 (1994-01-14) abstract -----	1-12, 18-20, 29-31
X Y	paragraph '0013!; figure 2 -----	15-17,33 34
X	EP 0 713 245 A (SHINETSU HANDOTAI KK) 22 May 1996 (1996-05-22) abstract; claims; figures -----	1-12, 29-31
X	PATENT ABSTRACTS OF JAPAN vol. 1998, no. 14, 31 December 1998 (1998-12-31) -& JP 10 242254 A (ADO MATSUPU:KK), 11 September 1998 (1998-09-11) abstract -----	1-14, 29-31
X	EP 1 187 189 A (SHINETSU HANDOTAI KK) 13 March 2002 (2002-03-13) abstract; claims; figures column 8, line 15 - line 54 -----	1-14, 29-31
X	US 4 904 515 A (SASAKI YASUMI ET AL) 27 February 1990 (1990-02-27) abstract; claims -----	1-12, 29-31
Y	WO 01/95374 A (BUCKLEY RICHARD F ; SAINT GOBAIN CERAMICS AND PLAS (US)) 13 December 2001 (2001-12-13) claim 5; figure 4 page 11, line 10 - line 25 -----	18-22
X	page 11, line 10 - line 25 -----	15-17,33
A	EP 1 184 355 A (TOSHIBA CERAMICS CO) 6 March 2002 (2002-03-06) the whole document -----	1
A	US 3 634 116 A (WOERNER LLOYD M ET AL) 11 January 1972 (1972-01-11) the whole document -----	1

-/--

## INTERNATIONAL SEARCH REPORT

International Application No

PCT/US2004/006847

## C.(Continuation) DOCUMENTS CONSIDERED TO BE RELEVANT

Category	Citation of document, with indication, where appropriate, of the relevant passages	Relevant to claim No.
X	US 5 417 767 A (STINSON ET AL) 23 May 1995 (1995-05-23) abstract; claim 3; figure 5	15-17,33
X	US 4 355 974 A (LEE ET AL) 26 October 1982 (1982-10-26) abstract; claims; figures column 3, last paragraph	15-17,33
X	US 3 923 156 A (WALLESTAD ET AL) 2 December 1975 (1975-12-02) abstract; claims; figures column 2, line 26 - line 37	15-17,33
X	US 2003/056391 A1 (SHIKAMI SATOSHI) 27 March 2003 (2003-03-27) abstract; claims; figure 5 example 1	15-17,33
X	US 4 653 636 A (ARMSTRONG RICHARD J) 31 March 1987 (1987-03-31) abstract; claims; figures 1-3	23-27,32
Y	column 4, line 9 - line 60	34
X	PATENT ABSTRACTS OF JAPAN vol. 017, no. 097 (E-1326), 25 February 1993 (1993-02-25) -& JP 04 287915 A (MITSUBISHI ELECTRIC CORP), 13 October 1992 (1992-10-13) abstract	23-27,32
X	PATENT ABSTRACTS OF JAPAN vol. 014, no. 099 (E-0893), 22 February 1990 (1990-02-22) -& JP 01 302814 A (SHIN ETSU HANDOTAI CO LTD; others: 02), 6 December 1989 (1989-12-06) abstract	23-27,32
X	PATENT ABSTRACTS OF JAPAN vol. 1995, no. 01, 28 February 1995 (1995-02-28) -& JP 06 302532 A (JAPAN ENERGY CORP), 28 October 1994 (1994-10-28) abstract	23-27,32
X	US 3 998 333 A (KAMADA HIROSHI) 21 December 1976 (1976-12-21) column 2, line 47 - column 6, line 5; figures 5,13a,13b,13c	23-27,32

-/--

## INTERNATIONAL SEARCH REPORT

International Application No  
PCT/US2004/006847

C.(Continuation) DOCUMENTS CONSIDERED TO BE RELEVANT		
Category °	Citation of document, with indication, where appropriate, of the relevant passages	Relevant to claim No.
X	PATENT ABSTRACTS OF JAPAN vol. 012, no. 425 (E-681), 10 November 1988 (1988-11-10) -& JP 63 164312 A (TOSHIBA CERAMICS CO LTD; others: 01), 7 July 1988 (1988-07-07) abstract -----	23-27,32
X	GB 1 385 730 A (SIEMENS AG) <del>26 February 1975 (1975-02-26)</del> claims; figure 4 -----	23-27,32
X	PATENT ABSTRACTS OF JAPAN vol. 001, no. 146 (E-068), 26 November 1977 (1977-11-26) -& JP 52 085476 A (HITACHI LTD), 15 July 1977 (1977-07-15) abstract -----	23-27,32
A	PATENT ABSTRACTS OF JAPAN vol. 011, no. 171 (E-512), 2 June 1987 (1987-06-02) -& JP 62 004337 A (TOSHIBA CERAMICS CO LTD), 10 January 1987 (1987-01-10) abstract -----	23,32
A	US 4 548 159 A (FOSTER DERRICK W ET AL) 22 October 1985 (1985-10-22) abstract; claims; figures -----	23,32,34

# INTERNATIONAL SEARCH REPORT

International application No.  
PCT/US2004/006847

## Box II Observations where certain claims were found unsearchable (Continuation of item 2 of first sheet)

This International Search Report has not been established in respect of certain claims under Article 17(2)(a) for the following reasons:

1.  Claims Nos.:  
because they relate to subject matter not required to be searched by this Authority, namely:
  
2.  Claims Nos.:  
because they relate to parts of the International Application that do not comply with the prescribed requirements to such  
an extent that no meaningful International Search can be carried out, specifically:
  
3.  Claims Nos.:  
because they are dependent claims and are not drafted in accordance with the second and third sentences of Rule 6.4(a).

## Box III Observations where unity of invention is lacking (Continuation of item 3 of first sheet)

This International Searching Authority found multiple inventions in this international application, as follows:

see additional sheet

1.  As all required additional search fees were timely paid by the applicant, this International Search Report covers all searchable claims.
2.  As all searchable claims could be searched without effort justifying an additional fee, this Authority did not invite payment of any additional fee.
3.  As only some of the required additional search fees were timely paid by the applicant, this International Search Report covers only those claims for which fees were paid, specifically claims Nos.:  
  
1-27, 29-34
4.  No required additional search fees were timely paid by the applicant. Consequently, this International Search Report is restricted to the invention first mentioned in the claims; it is covered by claims Nos.:

### Remark on Protest

The additional search fees were accompanied by the applicant's protest.

No protest accompanied the payment of additional search fees.

FURTHER INFORMATION CONTINUED FROM PCT/ISA/ 210

This International Searching Authority found multiple (groups of) inventions in this international application, as follows:

1. claims: 1-14, 18-22, 29-31

Wafer carrier comprising a cradle formed by silicon carbide and an overlying oxide layer and method therefore.

2. claims: 15-17, 33

Wafer carrier comprising a plurality of slots having a slot width not less than about 1.30 the wafer thickness and method therefore.

3. claims: 23-27, 32, 34

Wafer carrier comprising a plurality of slots having at least a portion of each slot with a curvature radius not less than about 1.15 the wafer radius and method therefore.

4. claim: 28

A wafer carrier comprising a plurality of slots having at least a portion of each slot with a curvature radius with opposite curvature compared to the wafer curvature radius.



## INTERNATIONAL SEARCH REPORT

Information on patent family members

International Application No

PCT/US2004/006847

Patent document cited in search report		Publication date	Patent family member(s)	Publication date
JP 61213374	A	22-09-1986	NONE	
JP 61042153	A	28-02-1986	NONE	
JP 59191327	A	30-10-1984	NONE	
EP 0308695	A	29-03-1989	JP 1061376 A JP 2548949 B2 DE 3877875 D1 DE 3877875 T2 EP 0308695 A2 US 4987016 A	08-03-1989 30-10-1996 11-03-1993 01-07-1993 29-03-1989 22-01-1991
JP 06005530	A	14-01-1994	NONE	
EP 0713245	A	22-05-1996	JP 3285723 B2 JP 8148552 A EP 0713245 A2 US 5759426 A	27-05-2002 07-06-1996 22-05-1996 02-06-1998
JP 10242254	A	11-09-1998	NONE	
EP 1187189	A	13-03-2002	EP 1187189 A1 US 2003196588 A1 WO 0159826 A1 TW 490769 B	13-03-2002 23-10-2003 16-08-2001 11-06-2002
US 4904515	A	27-02-1990	JP 2573480 B2 JP 62122212 A	22-01-1997 03-06-1987
WO 0195374	A	13-12-2001	AU 7502701 A CN 1401133 T JP 2003536254 T TW 548772 B WO 0195374 A2	17-12-2001 05-03-2003 02-12-2003 21-08-2003 13-12-2001
EP 1184355	A	06-03-2002	WO 0160764 A1 EP 1184355 A1 US 6699401 B1	23-08-2001 06-03-2002 02-03-2004
US 3634116	A	11-01-1972	BE 751247 A1 DE 2027041 A1 FR 2049743 A5 GB 1300664 A JP 53034201 B NL 7007942 A	01-12-1970 17-12-1970 26-03-1971 20-12-1972 19-09-1978 04-12-1970
US 5417767	A	23-05-1995	DE 4446972 A1 JP 7211658 A	29-06-1995 11-08-1995
US 4355974	A	26-10-1982	JP 62060025 U JP 57167625 A	14-04-1987 15-10-1982
US 3923156	A	02-12-1975	NONE	
US 2003056391	A1	27-03-2003	JP 3535853 B2 JP 2003092281 A	07-06-2004 28-03-2003

## INTERNATIONAL SEARCH REPORT

Information on patent family members

International Application No

PCT/US2004/006847

Patent document cited in search report		Publication date	Patent family member(s)		Publication date
US 4653636	A	31-03-1987	NONE		
JP 04287915	A	13-10-1992	NONE		
JP 01302814	A	06-12-1989	JP	2032919 C	19-03-1996
			JP	7052720 B	05-06-1995
JP 06302532	A	28-10-1994	NONE		
US 3998333	A	21-12-1976	JP	51002161 U	09-01-1976
JP 63164312	A	07-07-1988	JP	2117391 C	06-12-1996
			JP	8024140 B	06-03-1996
GB 1385730	A	26-02-1975	DE	2133843 A1	18-01-1973
			DE	2133876 A1	18-01-1973
			DE	2133877 A1	18-01-1973
			FR	2144678 A1	16-02-1973
			IT	962430 B	20-12-1973
			NL	7206014 A	09-01-1973
			US	3828726 A	13-08-1974
			US	3826377 A	30-07-1974
			US	3834349 A	10-09-1974
JP 52085476	A	15-07-1977	NONE		
JP 62004337	A	10-01-1987	JP	1891335 C	07-12-1994
			JP	6022262 B	23-03-1994
US 4548159	A	22-10-1985	AU	4464485 A	09-01-1986
			EP	0167374 A2	08-01-1986
			JP	1451172 C	25-07-1988
			JP	61044179 A	03-03-1986
			JP	62060466 B	16-12-1987