

(19) World Intellectual Property Organization  
International Bureau



(43) International Publication Date  
22 March 2007 (22.03.2007)

PCT

(10) International Publication Number  
**WO 2007/031502 A3**

(51) International Patent Classification:  
B65C 3/06 (2006.01)

(74) Agents: LUPPI, Luigi et al.; Luppi & Associati S.r.l, Via Camperio, 11, I-20123 Milano (IT).

(21) International Application Number:  
PCT/EP2006/066251

(81) Designated States (unless otherwise indicated, for every kind of national protection available): AE, AG, AL, AM, AT, AU, AZ, BA, BB, BG, BR, BW, BY, BZ, CA, CH, CN, CO, CR, CU, CZ, DE, DK, DM, DZ, EC, EE, EG, ES, FI, GB, GD, GE, GH, GM, HN, HR, HU, ID, IL, IN, IS, JP, KE, KG, KM, KN, KP, KR, KZ, LA, LC, LK, LR, LS, LT, LU, LV, LY, MA, MD, MG, MK, MN, MW, MX, MY, MZ, NA, NG, NI, NO, NZ, OM, PG, PH, PL, PT, RO, RS, RU, SC, SD, SE, SG, SK, SL, SM, SV, SY, TJ, TM, TN, TR, TT, TZ, UA, UG, US, UZ, VC, VN, ZA, ZM, ZW.

(22) International Filing Date:  
11 September 2006 (11.09.2006)

(25) Filing Language: English

(26) Publication Language: English

(30) Priority Data:  
MO2005A000230  
12 September 2005 (12.09.2005) IT

(84) Designated States (unless otherwise indicated, for every kind of regional protection available): ARIPO (BW, GH, GM, KE, LS, MW, MZ, NA, SD, SL, SZ, TZ, UG, ZM, ZW), Eurasian (AM, AZ, BY, KG, KZ, MD, RU, TJ, TM), European (AT, BE, BG, CH, CY, CZ, DE, DK, EE, ES, FI, FR, GB, GR, HU, IE, IS, IT, LT, LU, LV, MC, NL, PL, PT, RO, SE, SI, SK, TR), OAPI (BF, BJ, CF, CG, CI, CM, GA, GN, GQ, GW, ML, MR, NE, SN, TD, TG).

(71) Applicant (for all designated States except US): SACMI LABELLING S.P.A. [IT/IT]; Via Marconi, 3, I-40122 Bologna (IT).

(72) Inventors; and

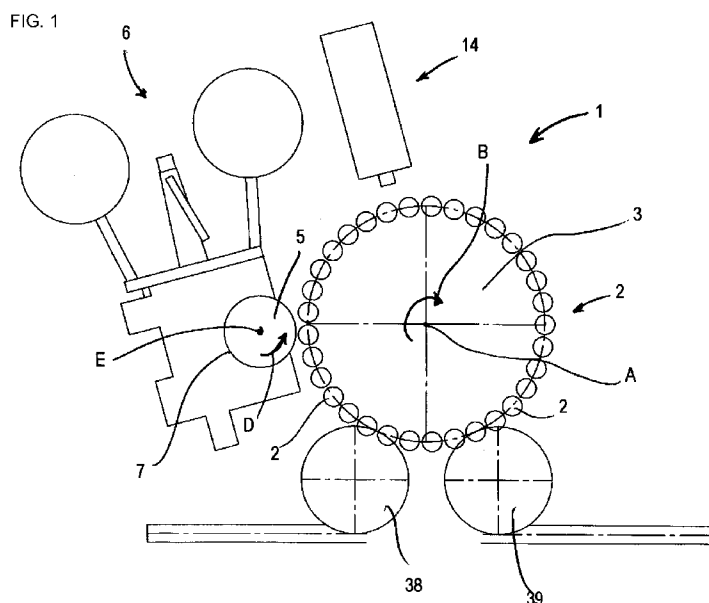
(75) Inventors/Applicants (for US only): ORLANDI, Ireneo [IT/IT]; Via 8 Marzo, 12, I-46010 Curtatone (IT). PEDERCINI, Maurizio [IT/IT]; Via Borgo, 5/a, I-46045 Marmirolo (IT). GRIONI, Matteo [IT/IT]; Via Repubblica, 1L, I-46014 Castellucchio (IT).

**Declarations under Rule 4.17:**

— as to applicant's entitlement to apply for and be granted a patent (Rule 4.17(ii))

[Continued on next page]

(54) Title: APPARATUS AND METHOD FOR OBTAINING LABELS



(57) Abstract: An apparatus for obtaining "shrink sleeve" labels (11), comprises a carousel (3) that is provided peripherally with spindle means (4) configured for being wound from portions (8) of plastic film, sealing means (14; 32) cooperating with said spindle means (4) for sealing opposite edges of said portions (8) for obtaining said "shrink sleeve" labels (11), said sealing means comprising laser means (14; 32). In another embodiment the spindle's side surface (9) comprises zones arranged at distances from the longitudinal axis (c) that are different from one another. Further disclosed is a shrink sleeve label (11) having a sealing zone (20) with a width in the order of a millimetre.

WO 2007/031502 A3



---

— *as to the applicant's entitlement to claim the priority of the earlier application (Rule 4.17(iii))*

**Published:**

— *with international search report*

**(88) Date of publication of the international search report:**

25 September 2008

## INTERNATIONAL SEARCH REPORT

International application No

PCT/EP2006/066251

## A. CLASSIFICATION OF SUBJECT MATTER

INV. B65C3/06

According to International Patent Classification (IPC) or to both national classification and IPC

## B. FIELDS SEARCHED

Minimum documentation searched (classification system followed by classification symbols)

B65C B29C

Documentation searched other than minimum documentation to the extent that such documents are included in the fields searched

Electronic data base consulted during the international search (name of data base and, where practical, search terms used)

EPO-Internal

## C. DOCUMENTS CONSIDERED TO BE RELEVANT

Category*	Citation of document, with indication, where appropriate, of the relevant passages	Relevant to claim No.
X	GB 2 011 344 A (TOYO GLASS CO LTD) 11 July 1979 (1979-07-11) page 2, line 56 - line 120; figures 1-4 -----	23-28
X	US 4 302 275 A (BURMEISTER ROBERT J ET AL) 24 November 1981 (1981-11-24) column 5, line 34 - line 55; figures 6-8 -----	29,30
A	WO 2004/020291 A (SIG SIMONAZZI S P A [IT]; PANZETTI LUIGI [IT]) 11 March 2004 (2004-03-11) cited in the application abstract; figure 3 -----	1,13
A	US 4 199 851 A (DOHERTY THOMAS E [US]) 29 April 1980 (1980-04-29) column 3, line 25 - line 35; figures 1-6 ----- -/--	1,13

 Further documents are listed in the continuation of Box C. See patent family annex.

## \* Special categories of cited documents :

"A" document defining the general state of the art which is not considered to be of particular relevance

"E" earlier document but published on or after the international filing date

"L" document which may throw doubts on priority claim(s) or which is cited to establish the publication date of another citation or other special reason (as specified)

"O" document referring to an oral disclosure, use, exhibition or other means

"P" document published prior to the international filing date but later than the priority date claimed

"T" later document published after the international filing date or priority date and not in conflict with the application but cited to understand the principle or theory underlying the invention

"X" document of particular relevance; the claimed invention cannot be considered novel or cannot be considered to involve an inventive step when the document is taken alone

"Y" document of particular relevance; the claimed invention cannot be considered to involve an inventive step when the document is combined with one or more other such documents, such combination being obvious to a person skilled in the art.

"&amp;" document member of the same patent family

Date of the actual completion of the international search

15 December 2006

Date of mailing of the international search report

15/01/2007

Name and mailing address of the ISA/

European Patent Office, P.B. 5818 Patentlaan 2  
NL - 2280 HV Rijswijk  
Tel. (+31-70) 340-2040, Tx. 31 651 epo nl,  
Fax: (+31-70) 340-3016

Authorized officer

Wartenhorst, Frank

## INTERNATIONAL SEARCH REPORT

International application No  
PCT/EP2006/066251

C(Continuation). DOCUMENTS CONSIDERED TO BE RELEVANT

Category*	Citation of document, with indication, where appropriate, of the relevant passages	Relevant to claim No.
A	DE 196 30 690 A1 (KRONSEDER MASCHF KRONES [DE]) 5 February 1998 (1998-02-05) claim 22; figures 1-3 -----	1,13

# INTERNATIONAL SEARCH REPORT

International application No.  
PCT/EP2006/066251

## Box II Observations where certain claims were found unsearchable (Continuation of item 2 of first sheet)

This International Search Report has not been established in respect of certain claims under Article 17(2)(a) for the following reasons:

1.  Claims Nos.:  
because they relate to subject matter not required to be searched by this Authority, namely:
  
2.  Claims Nos.:  
because they relate to parts of the International Application that do not comply with the prescribed requirements to such an extent that no meaningful International Search can be carried out, specifically:
  
3.  Claims Nos.:  
because they are dependent claims and are not drafted in accordance with the second and third sentences of Rule 6.4(a).

## Box III Observations where unity of invention is lacking (Continuation of item 3 of first sheet)

This International Searching Authority found multiple inventions in this international application, as follows:

see additional sheet

1.  As all required additional search fees were timely paid by the applicant, this International Search Report covers all searchable claims.
2.  As all searchable claims could be searched without effort justifying an additional fee, this Authority did not invite payment of any additional fee.
3.  As only some of the required additional search fees were timely paid by the applicant, this International Search Report covers only those claims for which fees were paid, specifically claims Nos.:
4.  No required additional search fees were timely paid by the applicant. Consequently, this International Search Report is restricted to the invention first mentioned in the claims; it is covered by claims Nos.:

### Remark on Protest

- The additional search fees were accompanied by the applicant's protest.
- No protest accompanied the payment of additional search fees.

FURTHER INFORMATION CONTINUED FROM PCT/ISA/ 210

This International Searching Authority found multiple (groups of) inventions in this international application, as follows:

1. claims: 1-22

An apparatus for obtaining sleeve labels comprising laser sealing means.

---

2. claims: 23-28

A spindle having a side surface comprising zones arranged at distances from the longitudinal axis that are different from one another.

---

3. claims: 29,30

A sleeve label having a sealing zone with a width in the order of a millimetre.

---

# INTERNATIONAL SEARCH REPORT

Information on patent family members

International application No

PCT/EP2006/066251

Patent document cited in search report	Publication date	Patent family member(s)	Publication date	
GB 2011344	A	11-07-1979	AU 522779 B2	24-06-1982
			AU 4165278 A	28-06-1979
			CA 1100399 A1	05-05-1981
			DE 2854586 A1	21-06-1979
			FR 2411690 A1	13-07-1979
			JP 1200708 C	05-04-1984
			JP 54083974 A	04-07-1979
			JP 58033813 B	22-07-1983
			US 4250798 A	17-02-1981
			-----	
US 4302275	A	24-11-1981	AU 521306 B2	25-03-1982
			AU 6407980 A	04-06-1981
			CA 1137400 A1	14-12-1982
			DE 3041354 A1	01-10-1981
			ES 8202505 A1	01-05-1982
			FR 2469997 A1	29-05-1981
			GB 2067463 A	30-07-1981
			IT 1145395 B	05-11-1986
			JP 56086716 A	14-07-1981
			NL 8006021 A	01-07-1981
			SE 431179 B	23-01-1984
			SE 8008256 A	28-05-1981
			ZA 8006765 A	28-10-1981
-----				
WO 2004020291	A	11-03-2004	AU 2003258661 A1	19-03-2004
			CN 1678497 A	05-10-2005
			EP 1539588 A1	15-06-2005
			JP 2005536414 T	02-12-2005
			US 2006113024 A1	01-06-2006
-----				
US 4199851	A	29-04-1980	NONE	
-----				
DE 19630690	A1	05-02-1998	BR 9706648 A	12-01-1999
			WO 9804470 A1	05-02-1998
			EP 0865386 A1	23-09-1998
			JP 2000500723 T	25-01-2000
-----				