



US0D1023241S

(12) **United States Design Patent**
Diefenbach et al.

(10) **Patent No.:** **US D1,023,241 S**
(45) **Date of Patent:** **** *Apr. 16, 2024**

(54) **FAUCET**
(71) Applicant: **HANSGROHE SE**, Schiltach (DE)
(72) Inventors: **Andreas Diefenbach**,
Ludwigsburg-Ossweil (DE); **Philip
Heinrich**, Stuttgart (DE)

D828,512 S * 9/2018 Liu D23/238
D857,168 S * 8/2019 Soulier D23/238
D868,213 S * 11/2019 Hoogendoorn D23/238
D905,824 S * 12/2020 Liu D23/238
D947,997 S * 4/2022 Goetzen D23/238
D951,397 S * 5/2022 Diefenbach D23/238

(Continued)

(73) Assignee: **Hansgrohe SE**, Schiltach (DE)
(*) Notice: This patent is subject to a terminal disclaimer.

FOREIGN PATENT DOCUMENTS

CN 302761662 S 3/2014
CN 304333889 S 10/2017

(Continued)

(**) Term: **15 Years**

OTHER PUBLICATIONS

(21) Appl. No.: **29/831,388**
(22) Filed: **Mar. 18, 2022**

Trustmi Brushed Gold Bathroom Faucet , first available Jul. 21, 2020[online], [site visited Jul. 31, 2023]. Available from internet, URL:<https://www.amazon.com/dp/B08DCPWDZV> (Year: 2020).*

(Continued)

(30) **Foreign Application Priority Data**

Sep. 27, 2021 (EM) 008707889-0017

(51) **LOC (14) Cl.** **23-01**

(52) **U.S. Cl.**

USPC **D23/238**

(58) **Field of Classification Search**

USPC D23/238-244, 252, 254-255, 257, 499;

D7/398; D8/300, 307-308

CPC F16K 31/602; F16K 31/605; F16K 31/607;

E03C 1/0412

See application file for complete search history.

Primary Examiner — David G Muller

Assistant Examiner — Jamaal Rasheed

(74) *Attorney, Agent, or Firm* — Lora J. Graentzdoerffer

(57) **CLAIM**

The ornamental design for a faucet, as shown and described.

DESCRIPTION

FIG. 1 is a perspective view of a faucet showing our design;

FIG. 2 is a front elevational view;

FIG. 3 is a rear elevational view;

FIG. 4 is a side elevational view;

FIG. 5 is a side elevational view;

FIG. 6 is a top plan view; and,

FIG. 7 is a bottom plan view.

The broken lines are included for the purpose of illustrating portions of the faucet that form no part of the claimed design.

(56) **References Cited**

U.S. PATENT DOCUMENTS

D579,528 S * 10/2008 Citterio D23/252

D602,121 S * 10/2009 Yabe D23/238

D643,512 S * 8/2011 Matsuura D23/238

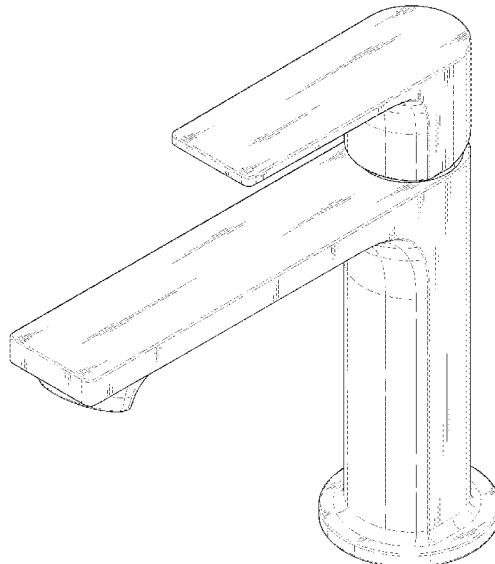
D757,225 S * 5/2016 Schoenherr D23/252

D760,359 S * 6/2016 Citterio D23/252

D797,249 S * 9/2017 Downey D23/252

D823,434 S * 7/2018 Downey D23/238

1 Claim, 7 Drawing Sheets



(56)

References Cited

U.S. PATENT DOCUMENTS

D956,180	S *	6/2022	Chiang	D23/238
D967,934	S *	10/2022	Kulig	D23/238
D985,728	S *	5/2023	Tan	D23/238
D988,476	S *	6/2023	Kulig	D23/238
11,686,076	B1 *	6/2023	Peng	E03C 1/0412 137/78.1
D993,360	S *	7/2023	Witt	D23/238
2020/0191294	A1 *	6/2020	Bello Larroche	F16K 37/005

FOREIGN PATENT DOCUMENTS

CN	304387592	*	12/2017
CN	304549898	S	3/2018
EM	003020312-0003		2/2017
EM	004137115-0026		8/2017
EM	004493724-0003		11/2017
EM	004566305-0003		1/2018
GB	8205180000-5000	*	5/2019
GB	8205180000-6000	*	5/2019
IN	333367-001-0001	*	11/2020
JP	D1677599	*	1/2021
KR	301128741.0000	*	9/2021
WO	D81543-009		2/2014

OTHER PUBLICATIONS

Grohe 2382400A Lineare Single-Handle Bathroom Faucet, first available Jul. 19, 2018[online], [site visited Jul. 31, 2023]. Available from internet, URL:<<https://www.amazon.com/dp/B07FPSRDCM>> (Year: 2018).*

Kohler K-23475-4-BN Parallel Bathroom Sink Faucet, first available Sep. 22, 2020[online], [site visited Jul. 31, 2023]. Available from internet, URL:<<https://www.amazon.com/dp/B08JQPCQPR>> (Year: 2020).*

Huxo Basin Mixer, first available Aug. 21, 2020[online], [site visited Jul. 31, 2023]. Available from internet, URL:<<https://www.amazon.com/HUXO-Cloakroom-Bathroom-Plating-Heightening/dp/B08GG7RT15?th=1>> (Year: 2020).*

Huxo Basin Mixer Tap, first available Aug. 21, 2020[online], [site visited Jul. 31, 2023]. Available from internet, URL:<<https://www.amazon.com/HUXO-Cloakroom-Bathroom-Plating-Heightening/dp/B08GG6MWKS?th=1>> (Year: 2020).*

Kohler K-23472-4-BL Parallel Bathroom Sink Faucet, first available Sep. 22, 2020[online], [site visited Jul. 31, 2023]. Available from internet, URL:<<https://www.amazon.com/dp/B08JQRXD96?th=1>> (Year: 2020).*

* cited by examiner

FIG. 1

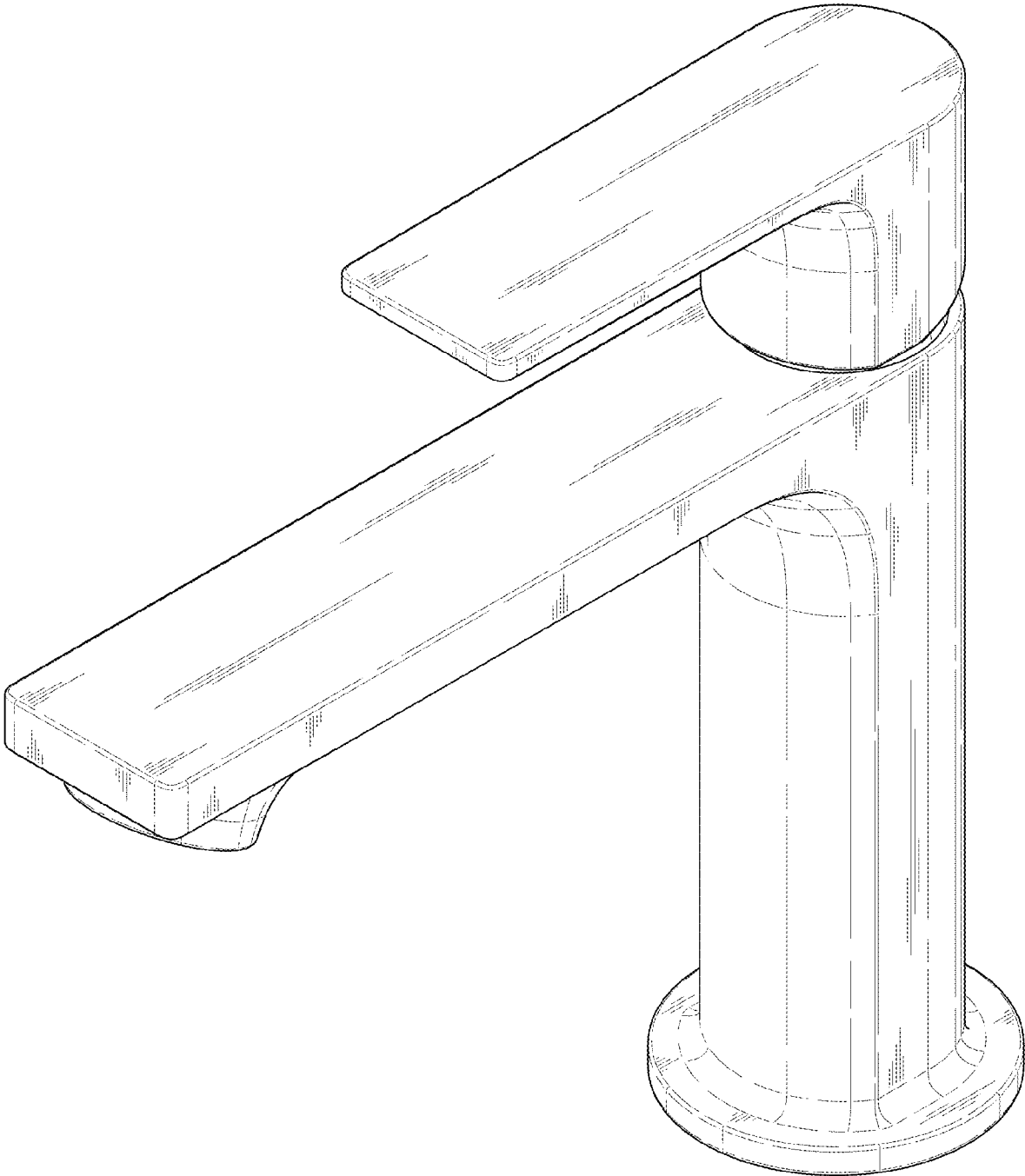


FIG. 2

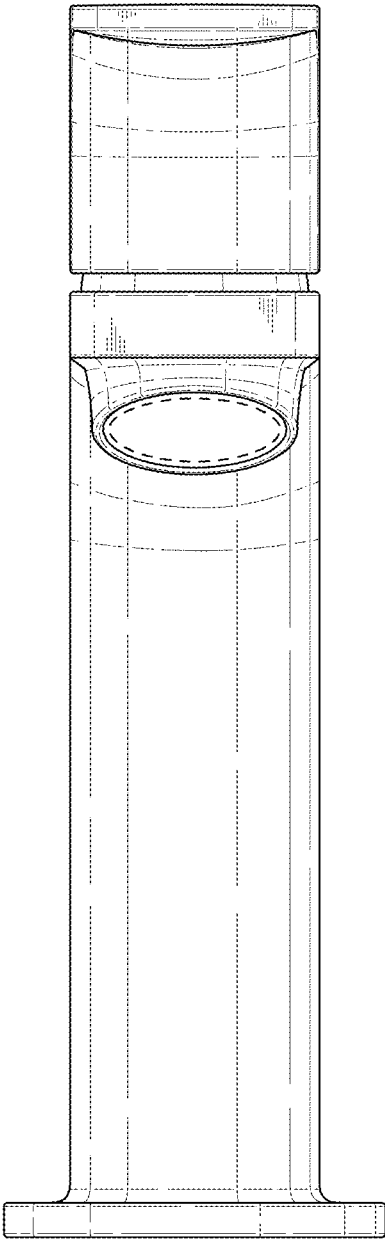


FIG. 3

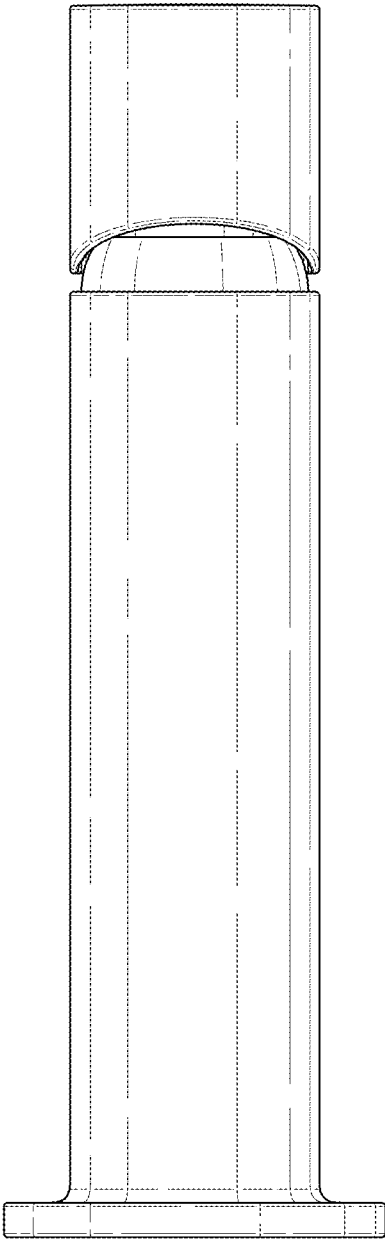


FIG. 4

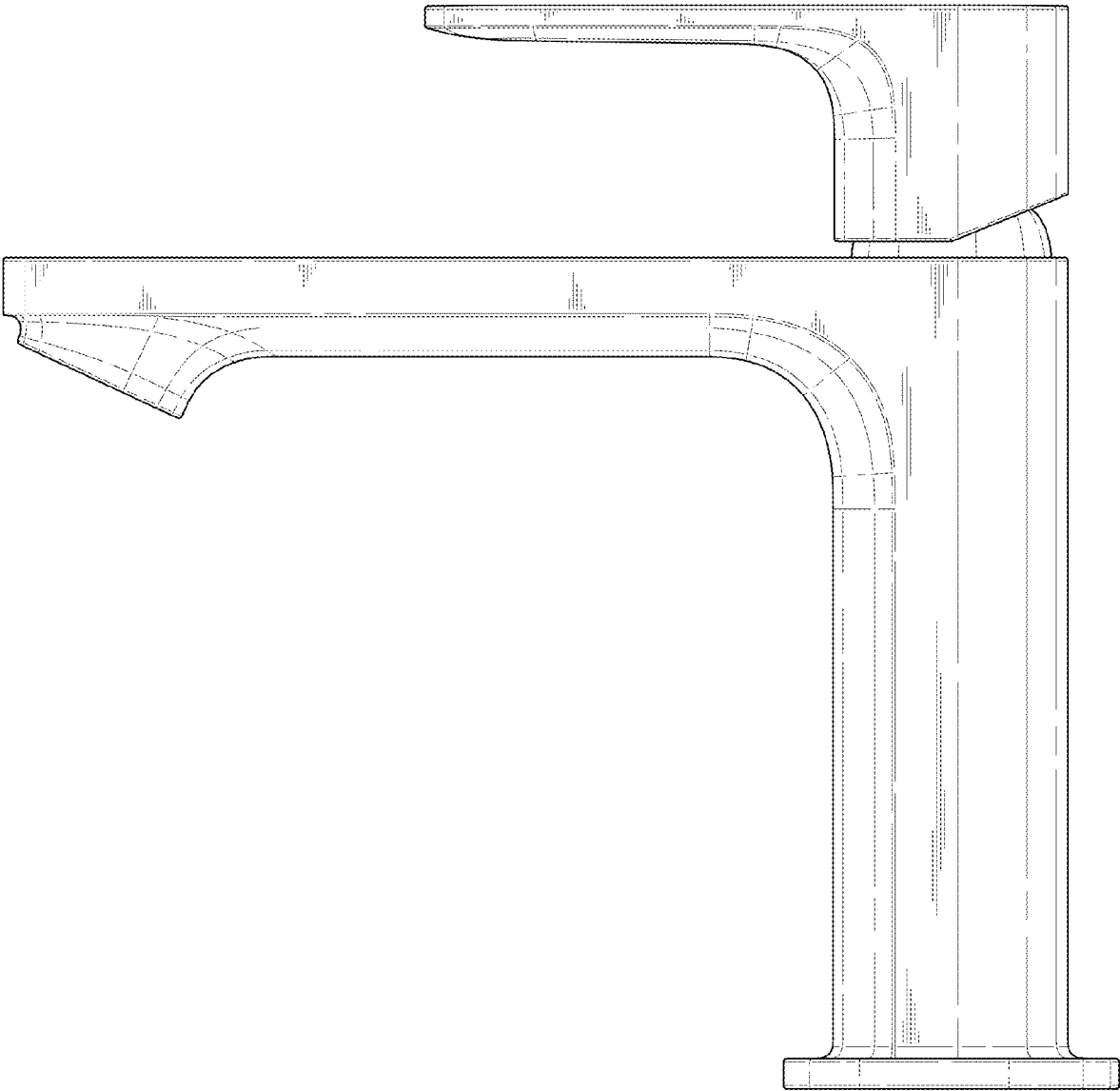


FIG. 5

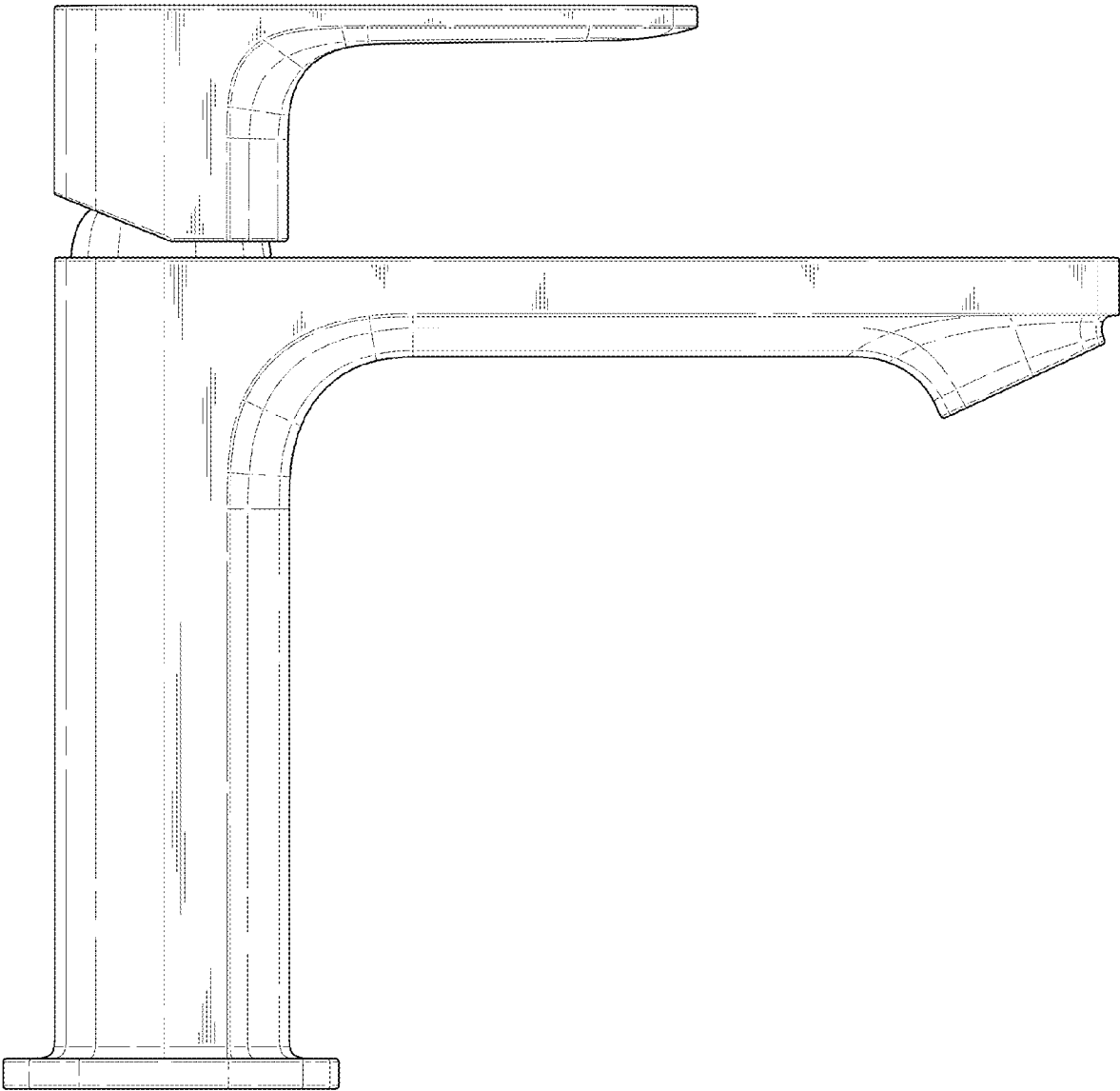


FIG. 6

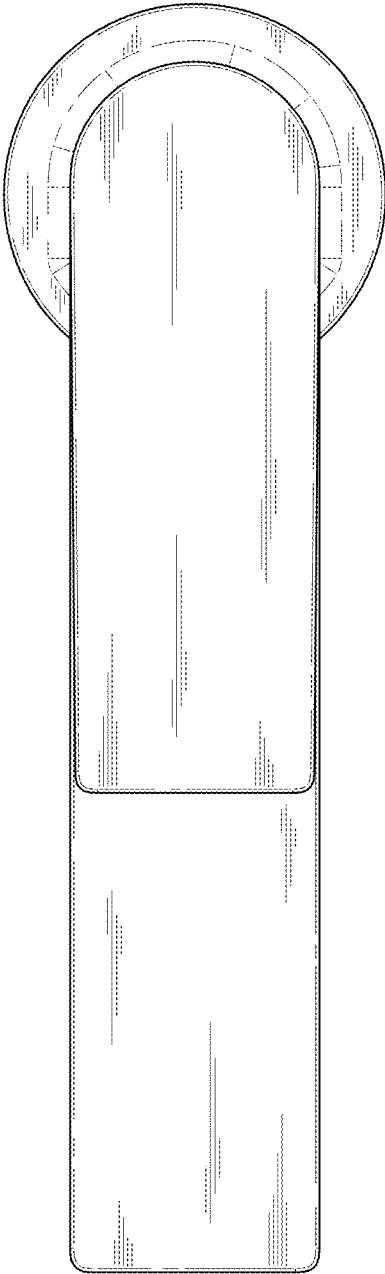


FIG. 7

