

(12) **United States Design Patent**
Spurr

(10) **Patent No.:** **US D833,773 S**
(45) **Date of Patent:** **** Nov. 20, 2018**

(54) **CONCEALABLE STORAGE RACK**
(71) Applicant: **Coffee Keepers LLC**, Brownstown, MI (US)
(72) Inventor: **Steven Spurr**, Brownstown, MI (US)
(73) Assignee: **Coffee Keepers LLC**, Brownstown, MI (US)
(**) Term: **15 Years**
(21) Appl. No.: **29/575,452**

(22) Filed: **Aug. 25, 2016**
(51) **LOC (11) Cl.** **06-04**
(52) **U.S. Cl.**
USPC **D6/574**
(58) **Field of Classification Search**
USPC D6/574, 329, 410, 429, 430, 449, 471, D6/512, 553, 566, 567, 569, 513, 555, D6/627, 675.5; D8/349, 354, 355, 373; 312/310, 245, 223, 223.5; 211/13.1, 32, 211/35, 86.01, 87.01, 85.2, 96, 97, 88.02, 211/90.01-94.02, 59.4; 206/564, 566, 206/315.11, 472, 495, 748
CPC A47B 46/00; A47B 43/00; A47B 96/027; A47B 96/025; A47B 97/00; A47K 10/18; A47K 2201/02
See application file for complete search history.

(56) **References Cited**
U.S. PATENT DOCUMENTS

3,099,355 A	7/1963	Kane	
3,331,645 A	7/1967	Vercellotti	
3,552,612 A	1/1971	Greis	
3,846,005 A	11/1974	Harper et al.	
D264,159 S *	5/1982	Bennett	D6/555
5,242,219 A	9/1993	Tomaka	
5,302,015 A	4/1994	Du Vali	
5,329,865 A	7/1994	McWard	

5,487,525 A	1/1996	Drabczyk et al.	
5,646,819 A	7/1997	Hill, III	
5,725,293 A	3/1998	Wilkening et al.	
D413,218 S *	8/1999	Doty	D6/566
5,957,558 A	9/1999	Quade	
6,435,105 B1	8/2002	Mikich et al.	
6,435,634 B1	8/2002	Webb et al.	
6,964,343 B2	11/2005	Tilly	
D572,065 S *	7/2008	Noble	D6/553
D604,981 S *	12/2009	Frank	D6/574
7,654,208 B2	2/2010	Patten	
D634,957 S *	3/2011	Rosenzweig	D6/567
D636,202 S *	4/2011	Boyer	D6/566

(Continued)

Primary Examiner — Wan Laymon
Assistant Examiner — Mark Booker
(74) *Attorney, Agent, or Firm* — Dinsmore & Shohl LLP

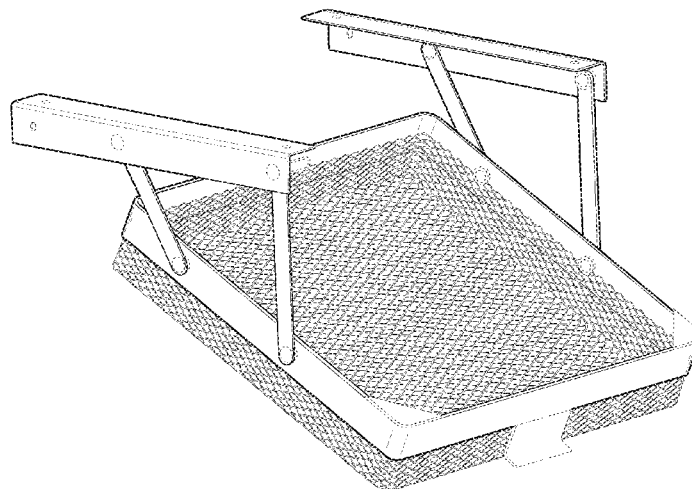
(57) **CLAIM**

The ornamental design for a concealable storage rack, as shown and described.

DESCRIPTION

FIG. 1 is a perspective view of a concealable storage rack in the open state;
FIG. 2 is a top view of the concealable storage rack in the open state;
FIG. 3 is a front view of the concealable storage rack in the open state;
FIG. 4 is a first side view of the concealable storage rack in the open state;
FIG. 5 is a second side view of the concealable storage rack in the open state;
FIG. 6 is a rear view of the concealable storage rack in the open state; and,
FIG. 7 is a bottom view of the concealable storage rack in the open state.
The broken lines shown in the figures represent portions of the concealable storage rack that form no part of the claimed design.

1 Claim, 4 Drawing Sheets



(56)

References Cited

U.S. PATENT DOCUMENTS

8,397,923	B2	3/2013	Tan	
D756,145	S *	5/2016	Davis D6/513
2012/0193313	A1 *	8/2012	Spurr A47B 46/005
				211/59.4

* cited by examiner

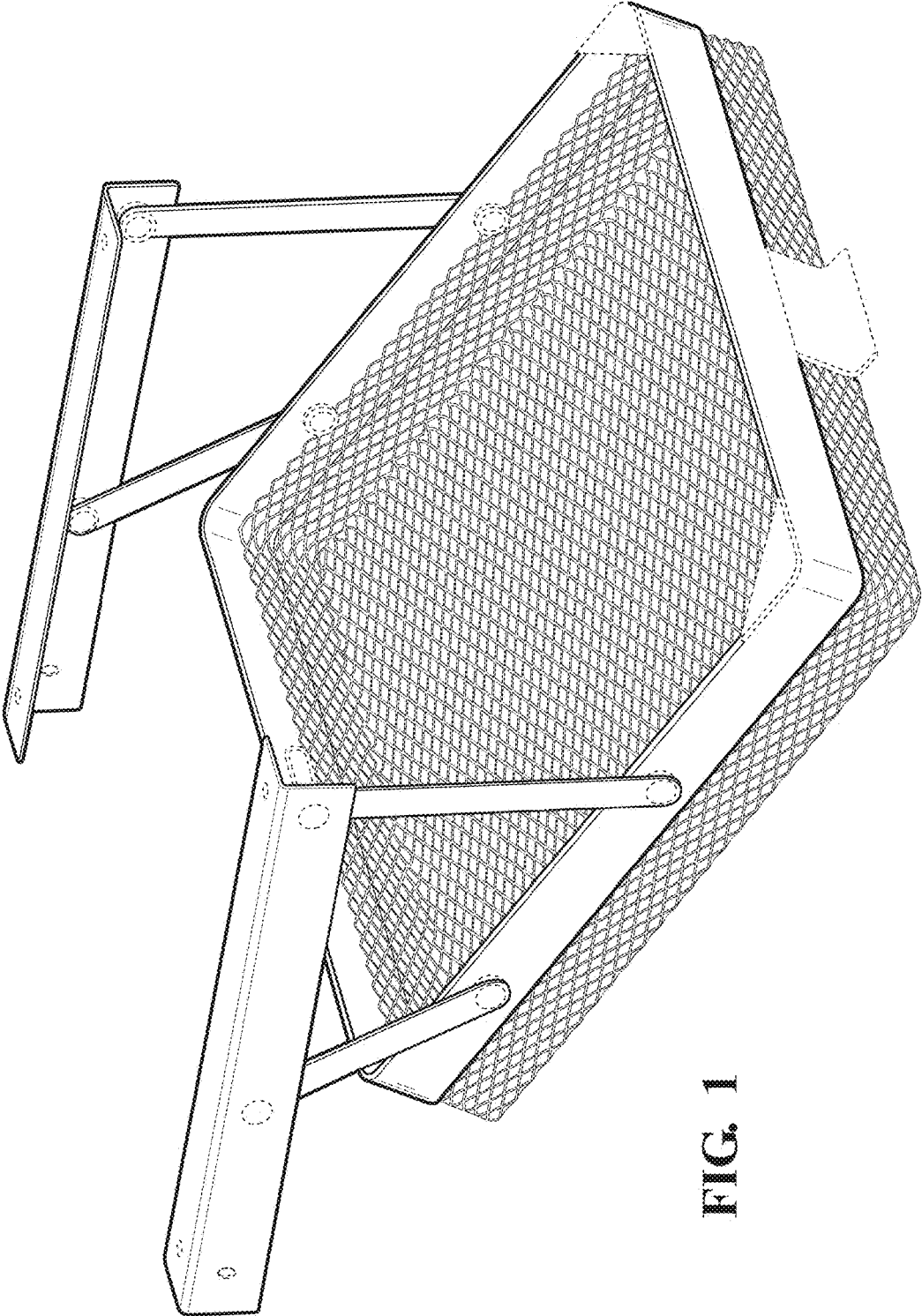


FIG. 1

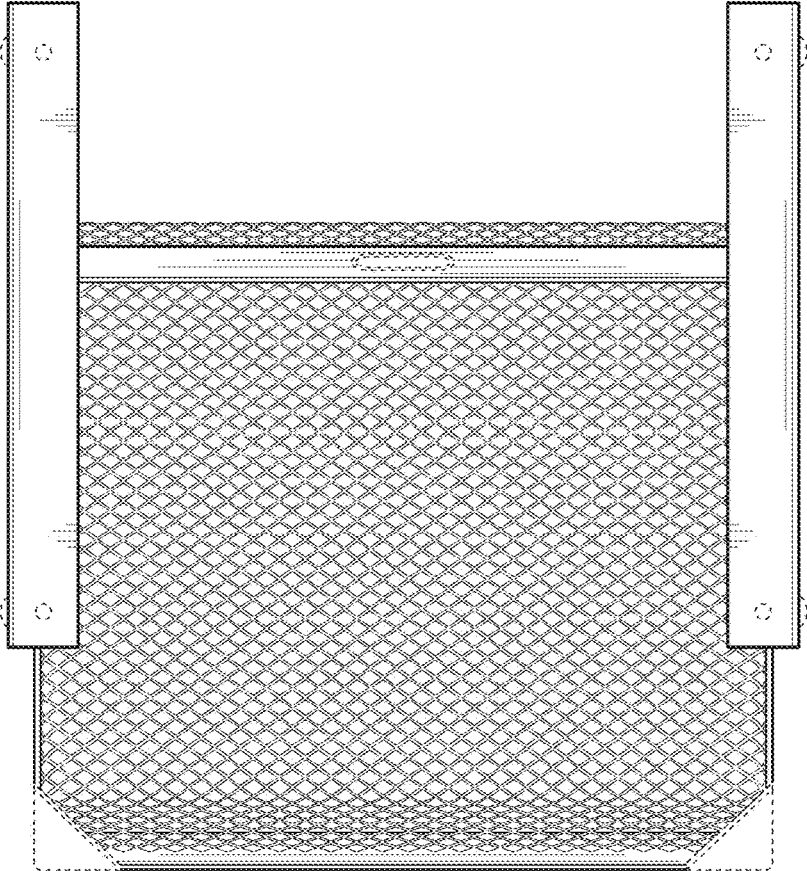


FIG. 2

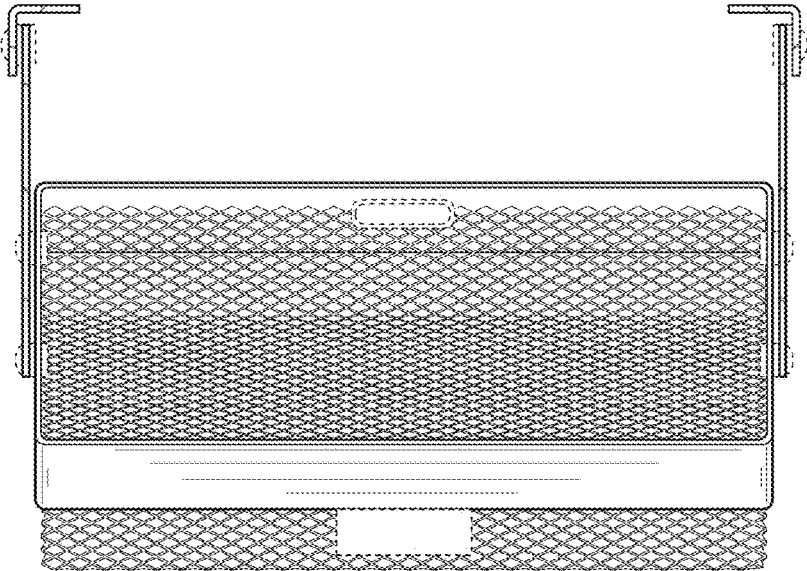


FIG. 3

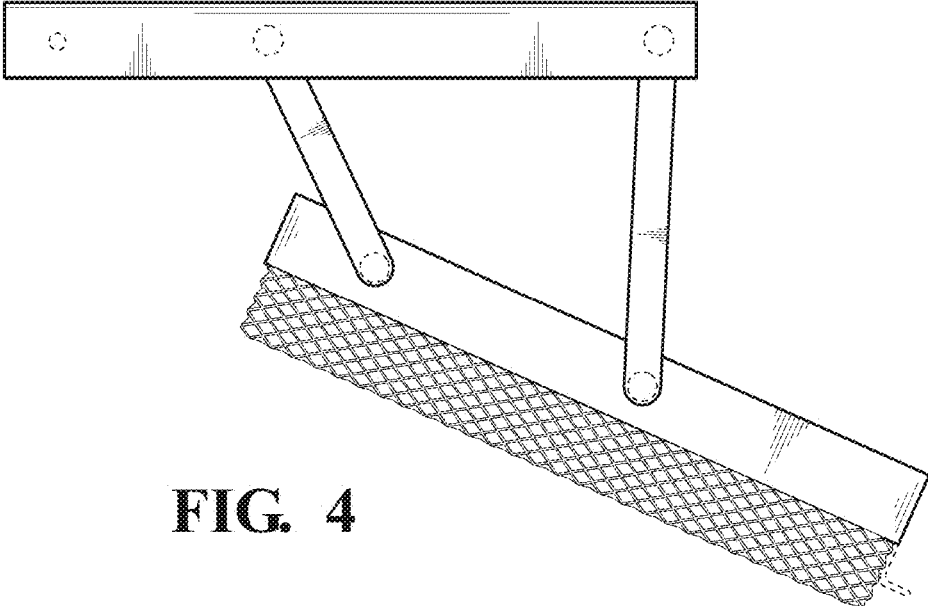


FIG. 4

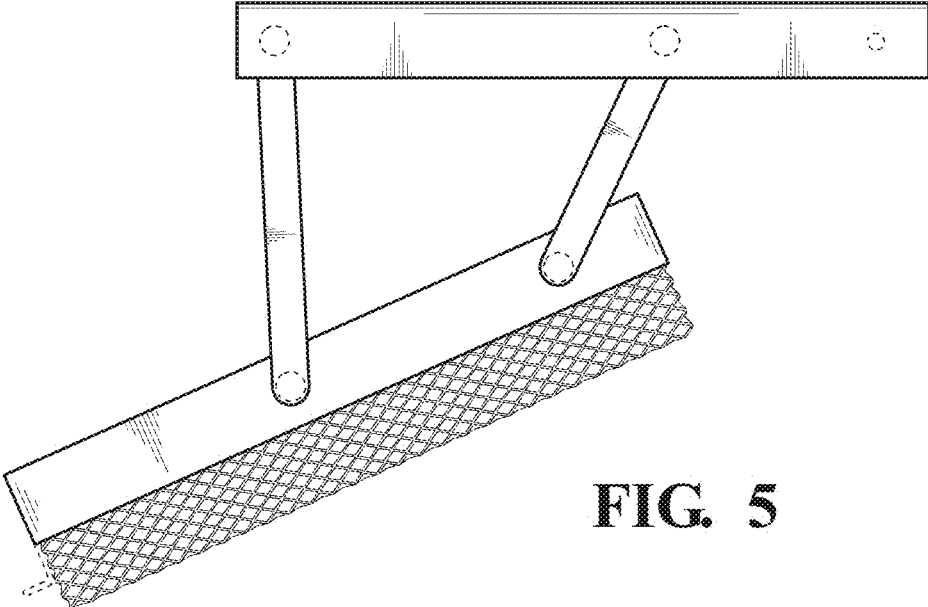


FIG. 5

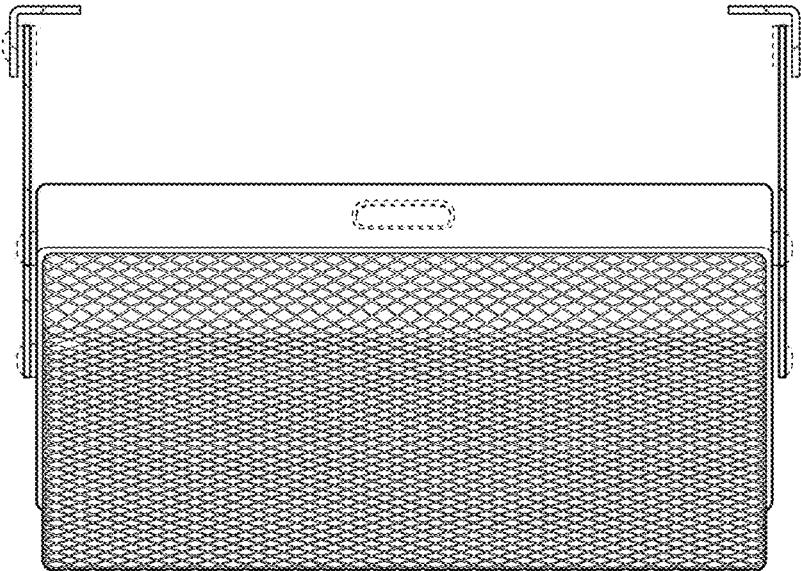


FIG. 6

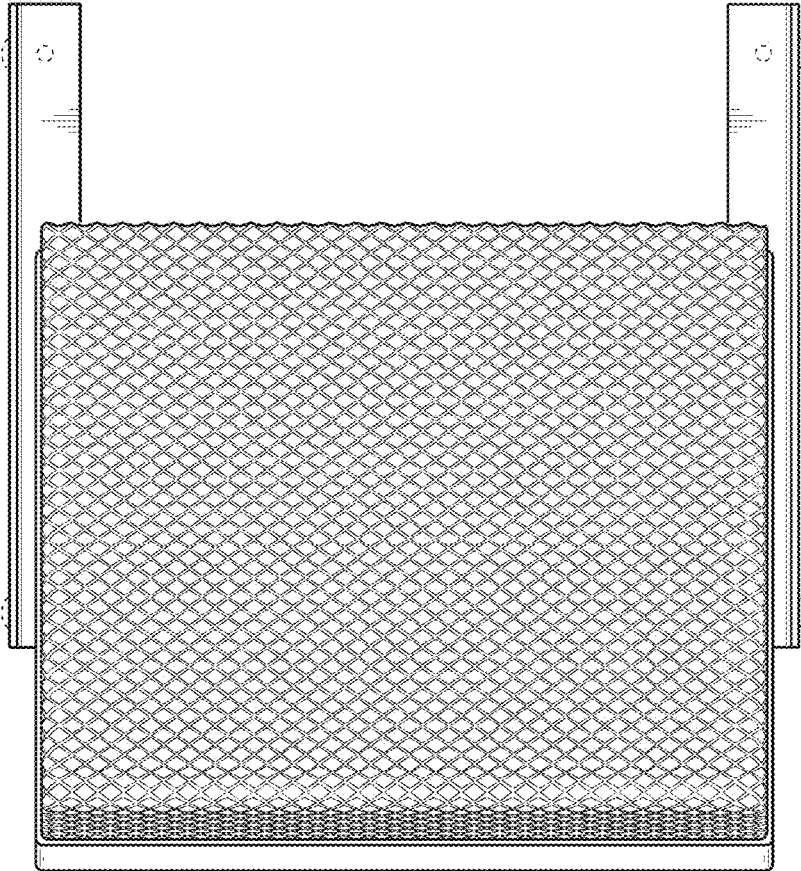


FIG. 7