



US00D743395S

(12) **United States Design Patent**
Chen

(10) **Patent No.:** **US D743,395 S**

(45) **Date of Patent:** **** Nov. 17, 2015**

(54) **CARD READER**

(71) Applicant: **Square, Inc.**, San Francisco, CA (US)

(72) Inventor: **Yenliang Chen**, San Francisco, CA (US)

(73) Assignee: **Square, Inc.**, San Francisco, CA (US)

(**) Term: **14 Years**

(21) Appl. No.: **29/514,281**

(22) Filed: **Jan. 9, 2015**

(51) **LOC (10) Cl.** **14-02**

(52) **U.S. Cl.**

USPC **D14/385**

(58) **Field of Classification Search**

USPC D14/356-358, 383-385, 420, 426, 427,
D14/432-439, 447, 453, 454, 217, 253,
D14/299; D13/107, 108, 133, 146, 147,
D13/152, 154, 156, 158, 162, 162.1, 168,
D13/173, 177, 102; 235/441, 451, 492, 380,
235/439, 375; 361/679.31, 600, 679.01,
361/679.02

CPC ... G06Q 20/347; G06Q 20/322; G06Q 40/02;
G06Q 30/06; G07F 7/0886

See application file for complete search history.

(56) **References Cited**

U.S. PATENT DOCUMENTS

D677,623 S * 3/2013 Fitch et al. D13/108
D684,916 S * 6/2013 Ashida et al. D12/332
D687,023 S * 7/2013 Jung et al. D14/242
D696,255 S * 12/2013 Bousfield et al. D14/385
D698,789 S * 2/2014 Daniel D14/385

D706,778 S * 6/2014 Kawasaki et al. D14/356
D716,300 S * 10/2014 Cruz et al. D14/385
D716,304 S * 10/2014 Orthey D14/420
D723,031 S * 2/2015 Rawal D14/385
D727,902 S * 4/2015 Saulnier, III D14/385
D730,354 S * 5/2015 Daniel D14/385
D730,899 S * 6/2015 Daniel D14/385
2005/0041387 A1* 2/2005 Lee 361/685
2009/0117412 A1* 5/2009 Koh et al. 429/7
2011/0003179 A1* 1/2011 Jang 429/7

* cited by examiner

Primary Examiner — Austin Murphy

(74) *Attorney, Agent, or Firm* — Novak Druce Connolly
Bove + Quigg LLP

(57) **CLAIM**

I claim the ornamental design for a card reader, as shown and described.

DESCRIPTION

FIG. 1 is a perspective view of a first embodiment of a card reader;

FIG. 2 is a front elevational view thereof;

FIG. 3 is a rear elevational view thereof;

FIG. 4 is a left side elevational view thereof;

FIG. 5 is a right side elevational view thereof;

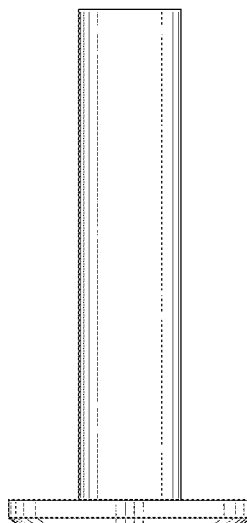
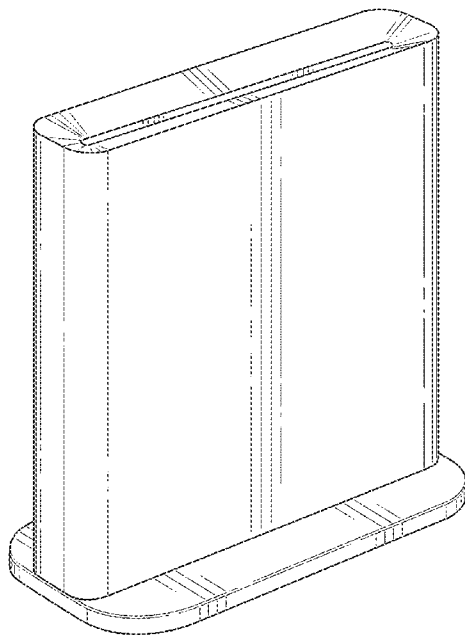
FIG. 6 is a top plan view thereof;

FIG. 7 is a bottom plan view thereof; and,

FIG. 8 is an alternate perspective view thereof.

The purpose of broken lines in FIG. 3 is to illustrate unclaimed portions of the article; broken lines in FIG. 8 are for illustrating environment; the broken lines form no part of the claimed design.

1 Claim, 8 Drawing Sheets



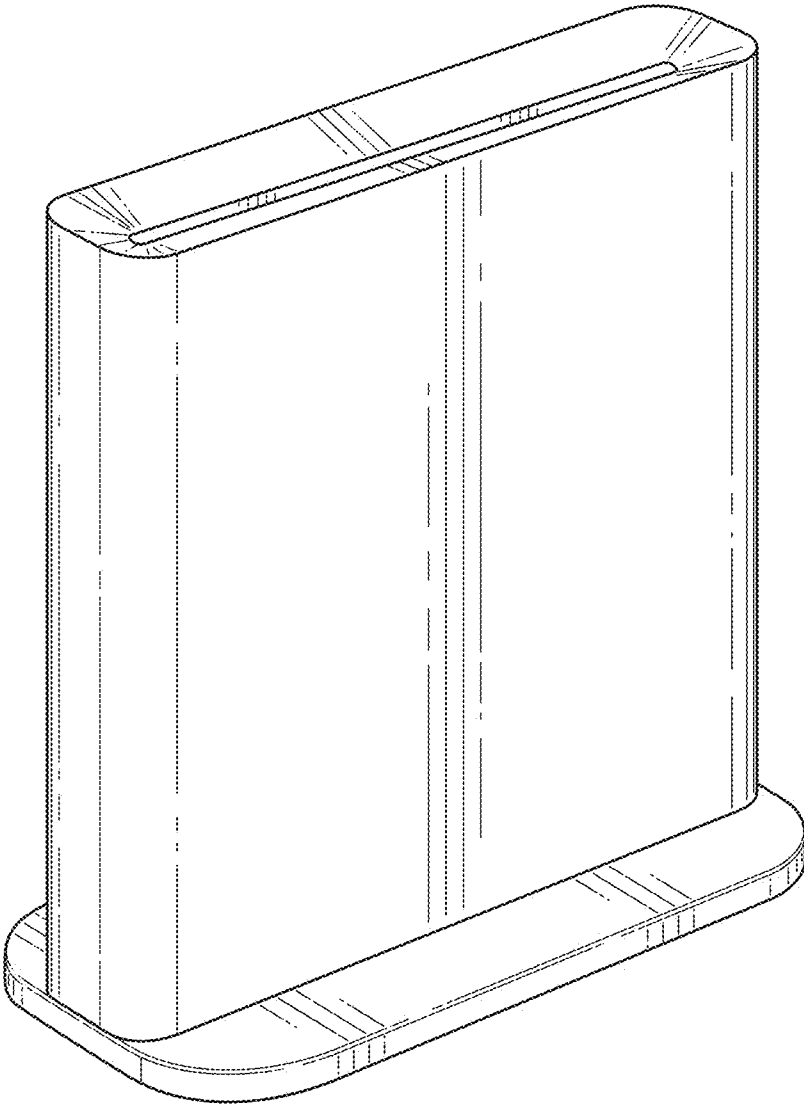


FIG. 1

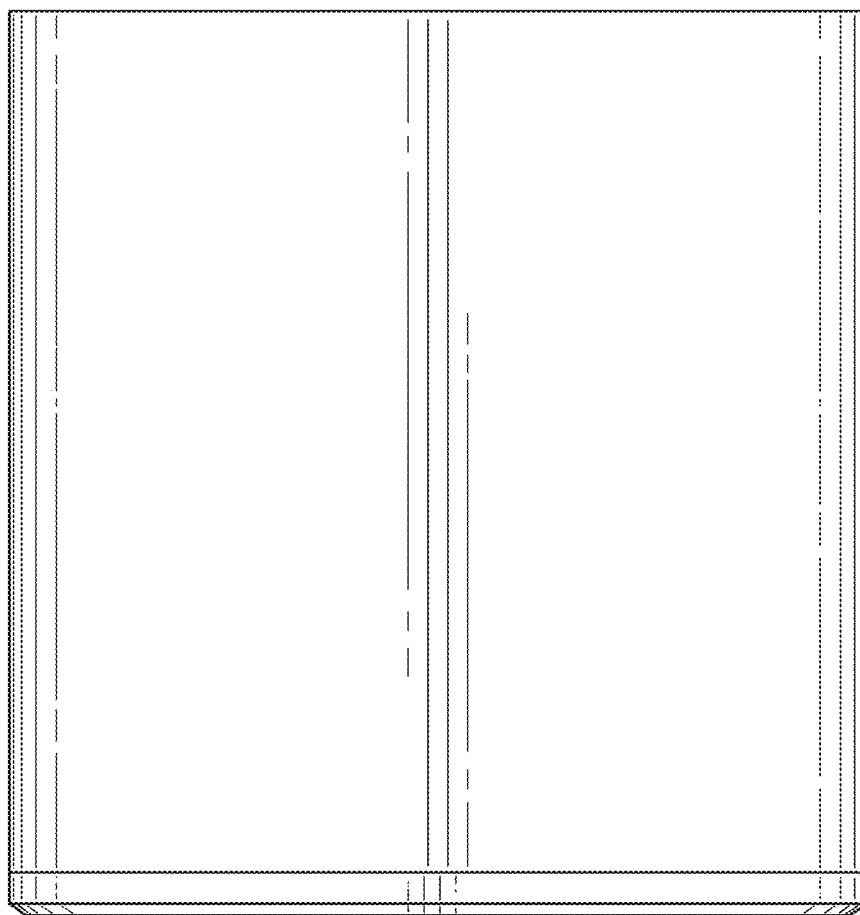


FIG. 2

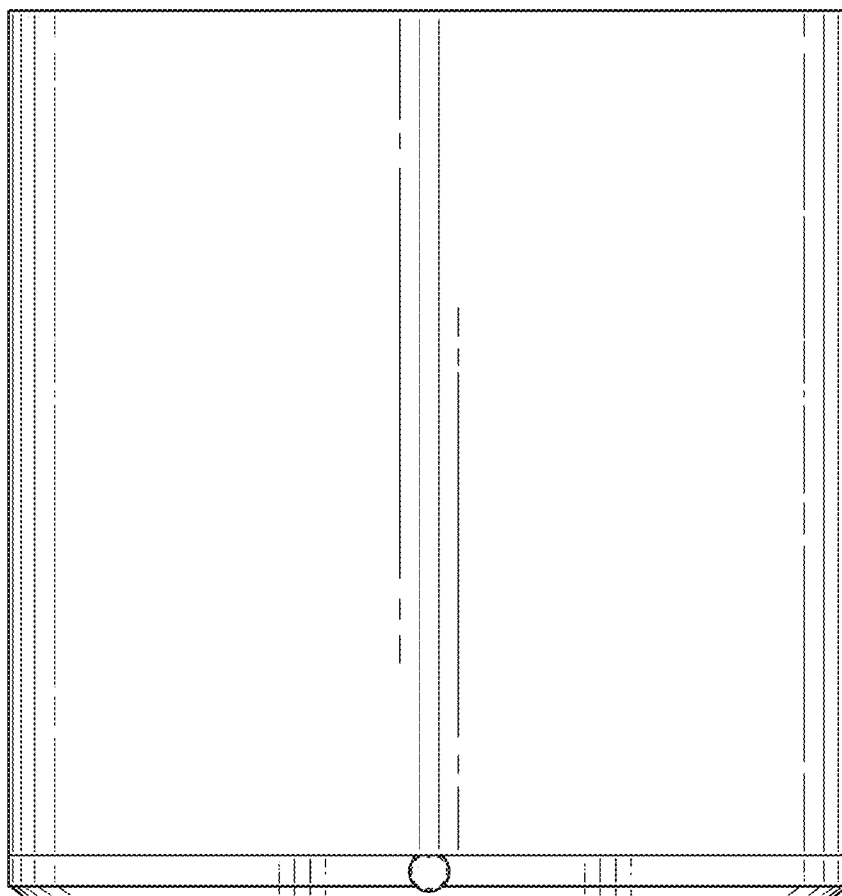


FIG. 3

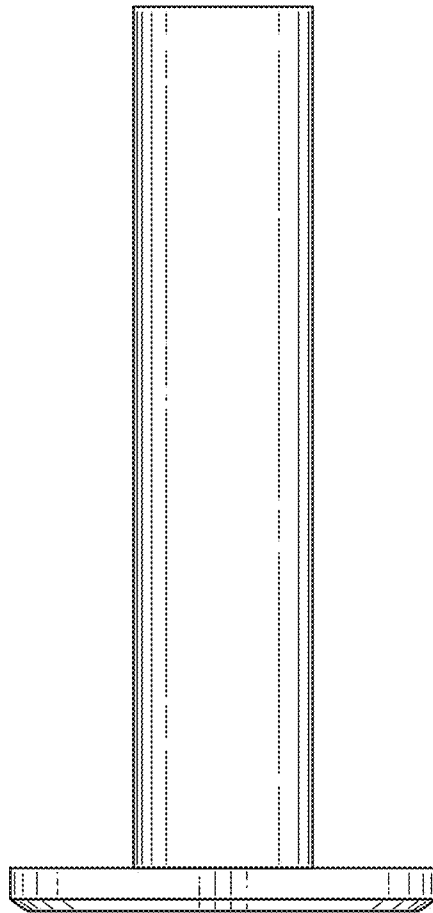


FIG. 4

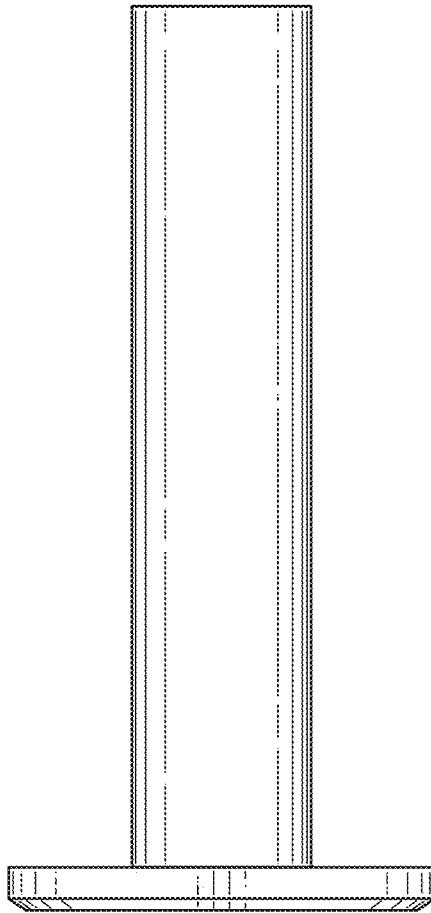


FIG. 5

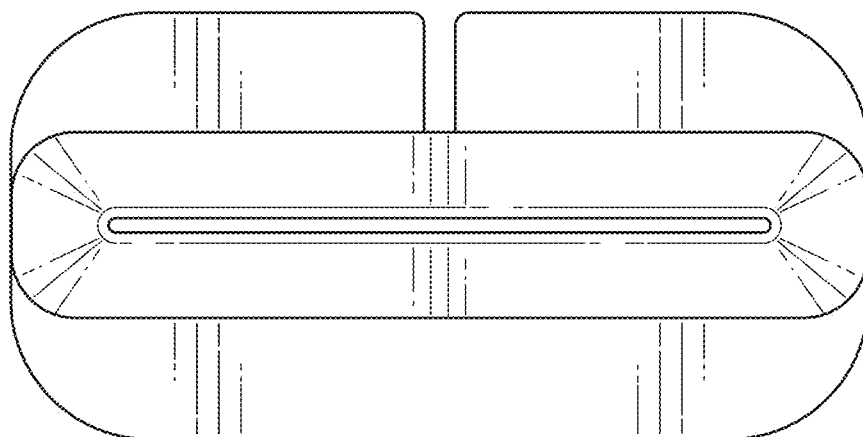


FIG. 6

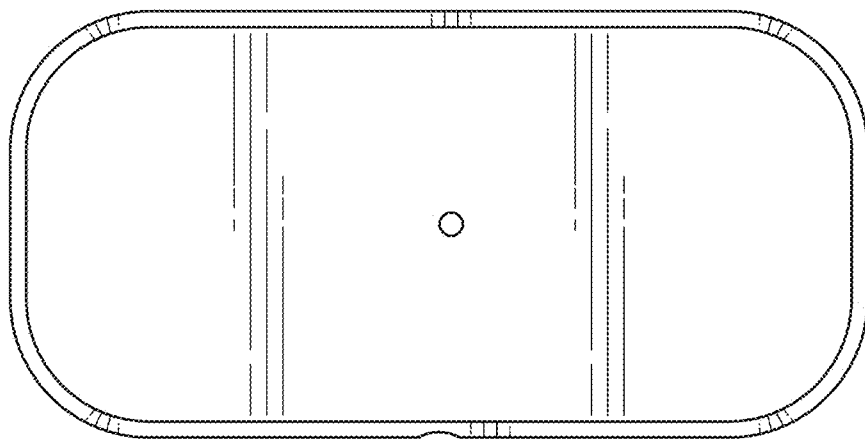


FIG. 7

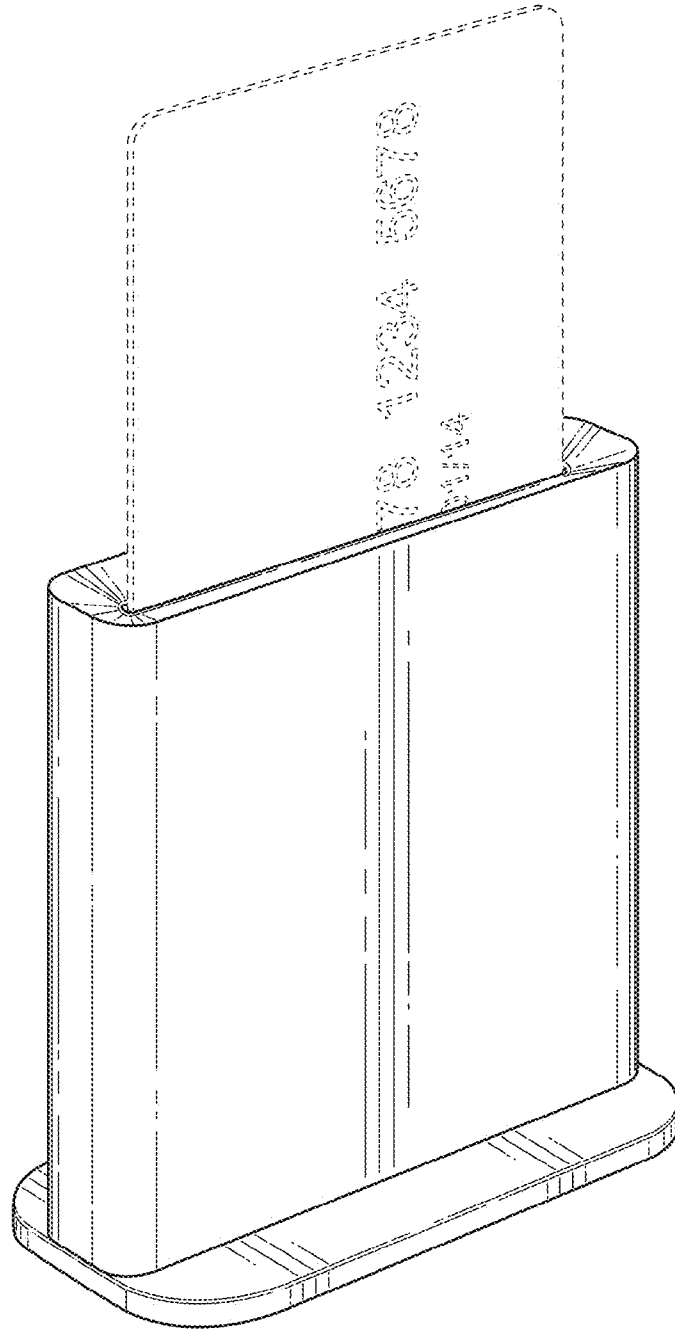


FIG. 8