



US00D706855S

(12) **United States Design Patent**
Matsumoto et al.

(10) **Patent No.:** **US D706,855 S**

(45) **Date of Patent:** **** Jun. 10, 2014**

- (54) **CAMERA STAND**
- (71) Applicant: **Panasonic Corporation**, Osaka (JP)
- (72) Inventors: **Hiroyuki Matsumoto**, Osaka (JP);
Toshio Horiki, Osaka (JP)
- (73) Assignee: **Panasonic Corporation**, Osaka (JP)
- (**) Term: **14 Years**
- (21) Appl. No.: **29/435,069**
- (22) Filed: **Oct. 19, 2012**

D590,000 S	4/2009	Kellar	
7,522,834 B2 *	4/2009	Heaven et al.	396/535
D640,721 S *	6/2011	Satine	D16/204
D659,177 S *	5/2012	Chan	D16/242
D673,204 S *	12/2012	Bae et al.	D16/244
D696,329 S *	12/2013	Horiki et al.	D16/203

* cited by examiner

Primary Examiner — Susan Bennett Hattan
Assistant Examiner — Leanne Was
 (74) *Attorney, Agent, or Firm* — Panasonic Patent Center

- (30) **Foreign Application Priority Data**
- Jul. 9, 2012 (JP) 2012-016195
- (51) **LOC (10) Cl.** **16-05**
- (52) **U.S. Cl.**
- USPC **D16/244**
- (58) **Field of Classification Search**
- USPC D16/242, 244, 245; 248/168-171,
248/177.1, 183.1, 183.2, 187.1, 188.5,
248/188.7; 352/243; 396/419, 421, 428
- See application file for complete search history.

(57) **CLAIM**
 We claim the ornamental design for a camera stand, as shown and described.

DESCRIPTION

FIG. 1 is a perspective view of a camera stand of the present invention;
 FIG. 2 is a front view thereof;
 FIG. 3 is a rear view thereof;
 FIG. 4 is a first side view thereof;
 FIG. 5 is a second side view thereof;
 FIG. 6 is a top view thereof;
 FIG. 7 is a bottom view thereof; and,
 FIG. 8 is a front view with the top portion moved thereof.
 The broken line showing of camera stand is included for the purpose of illustrating environment and forms no part of the claimed design. Additionally, the unevenly broken lines in the drawings define the limits of the claimed design.

- (56) **References Cited**
- U.S. PATENT DOCUMENTS
- D373,133 S * 8/1996 Usui et al. D16/244
- D475,641 S * 6/2003 Glasson D10/65

1 Claim, 8 Drawing Sheets

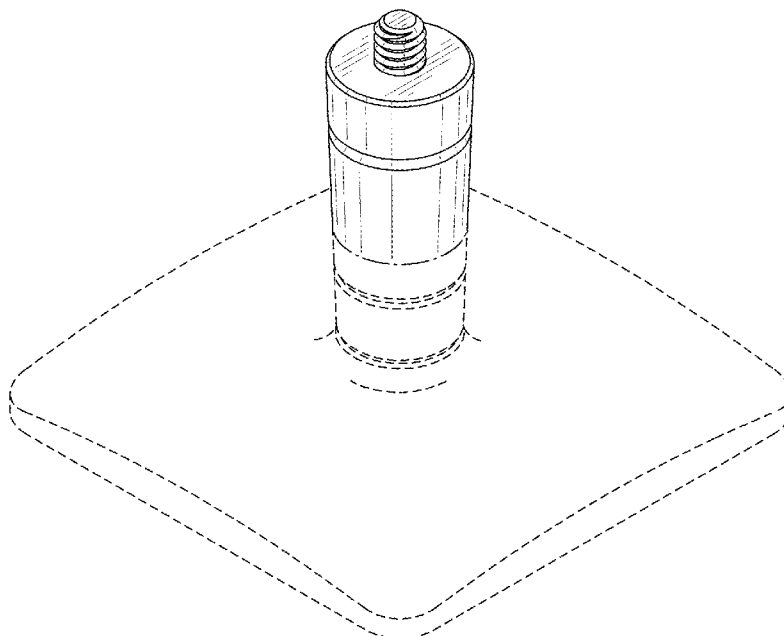


FIG. 1

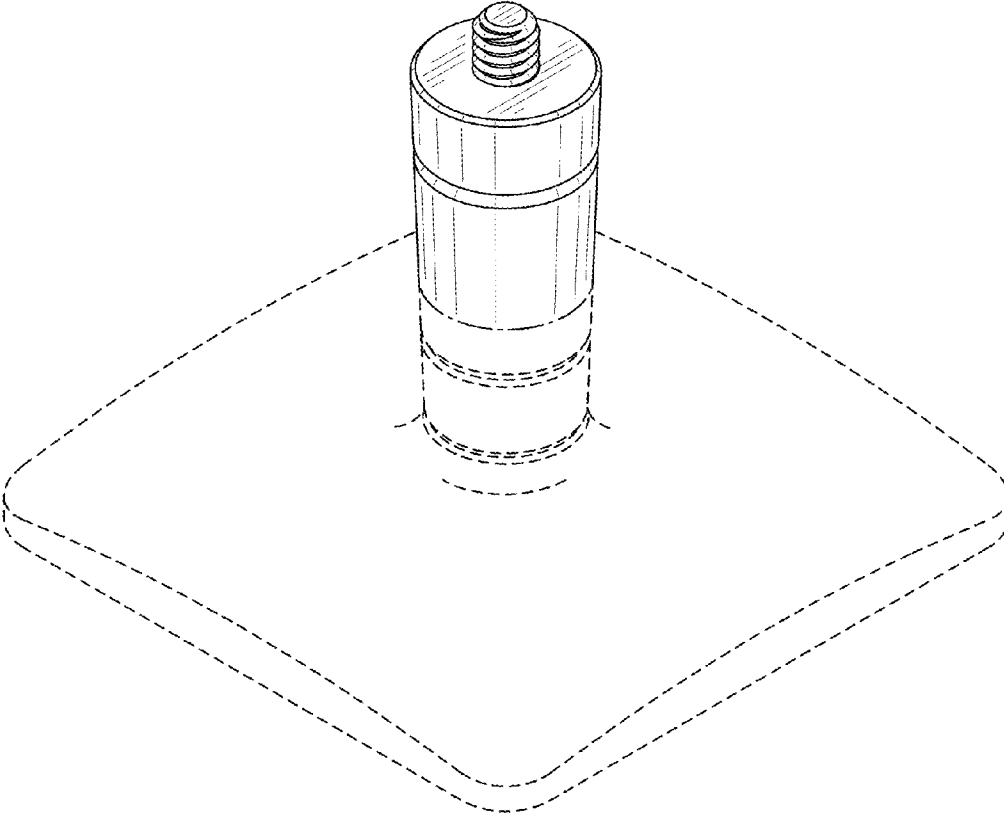


FIG. 2

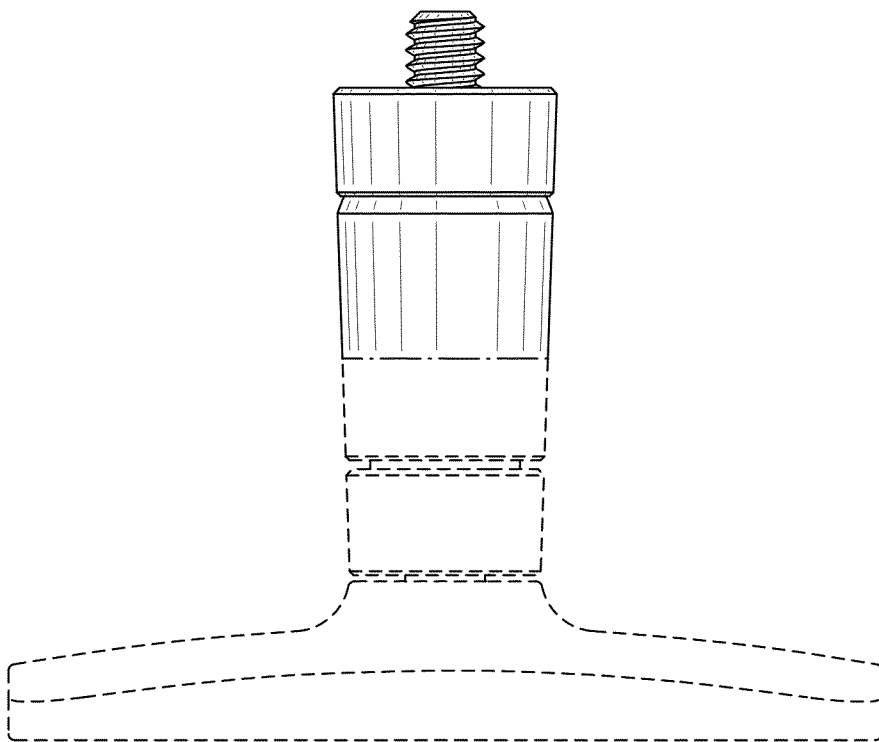


FIG. 3

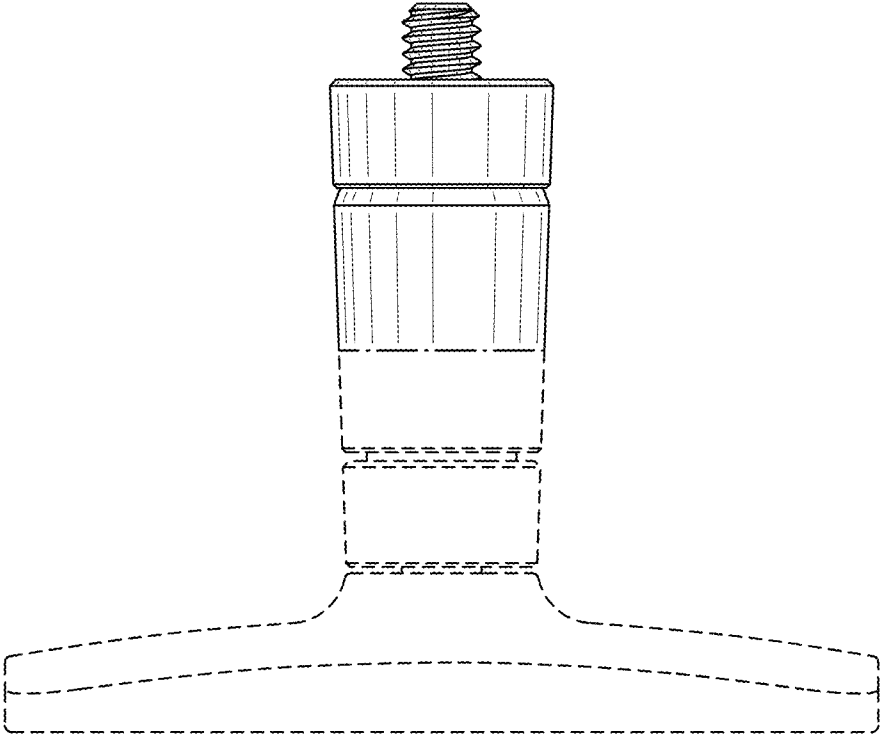


FIG. 4

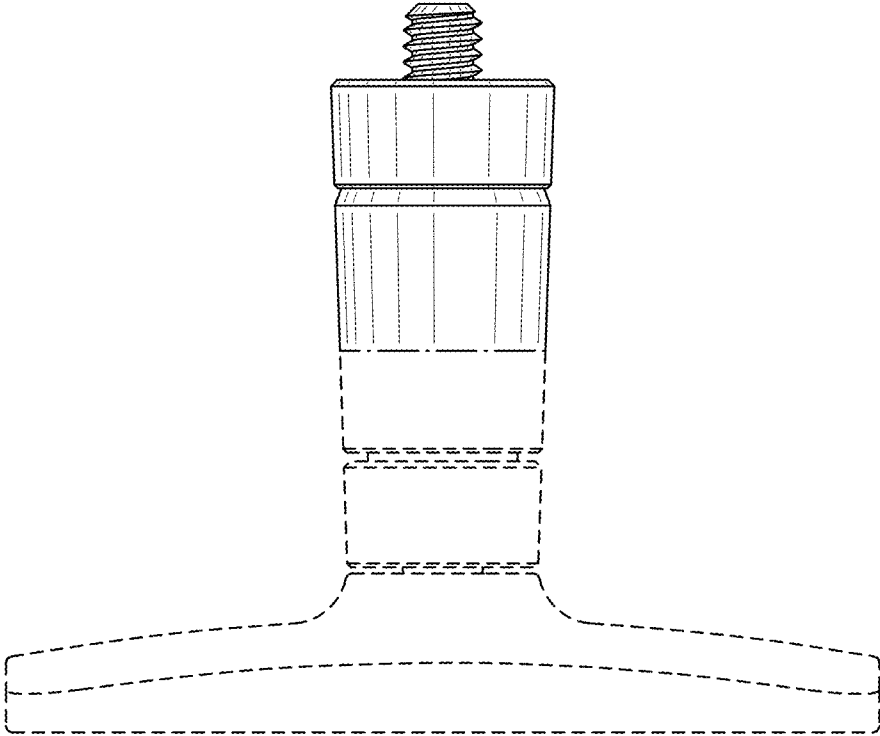


FIG. 5

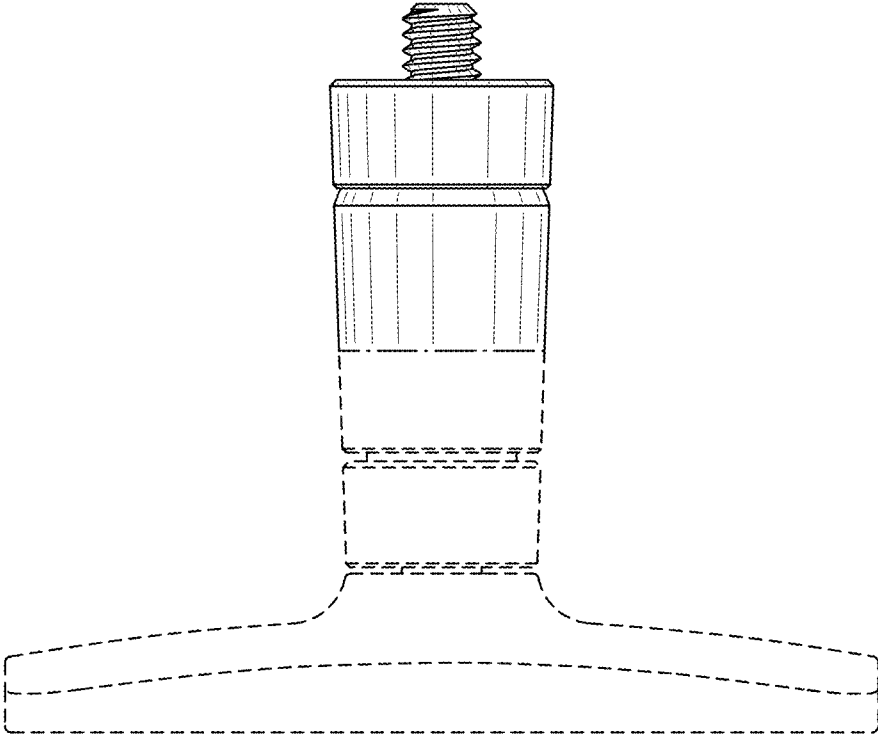


FIG. 6

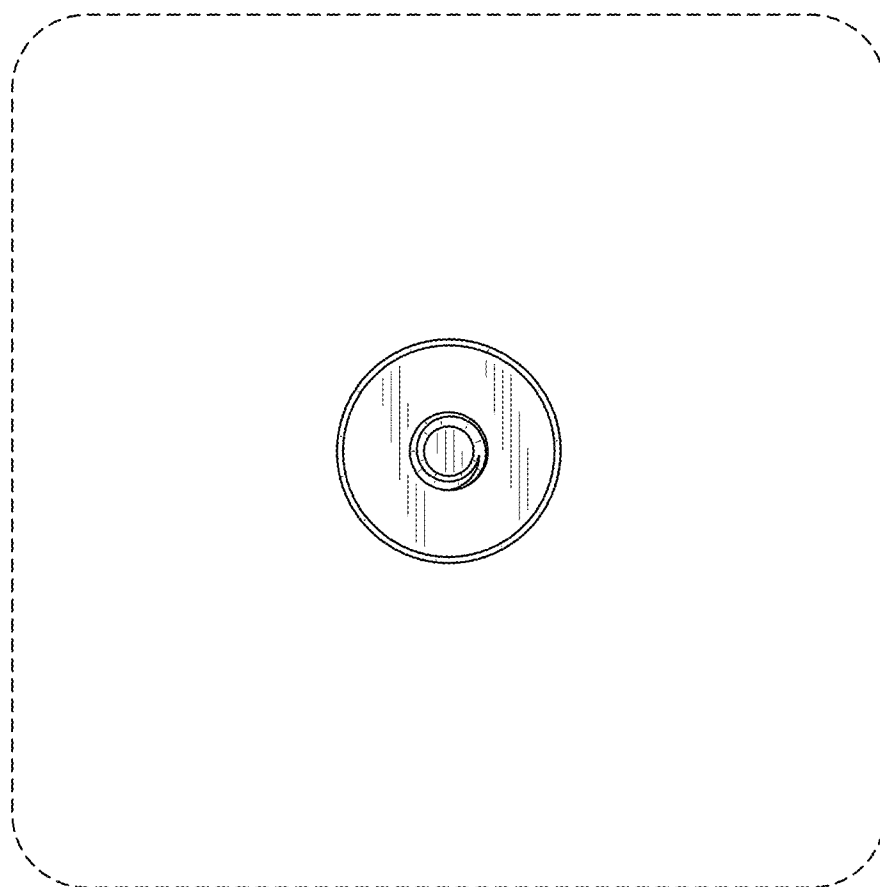


FIG. 7

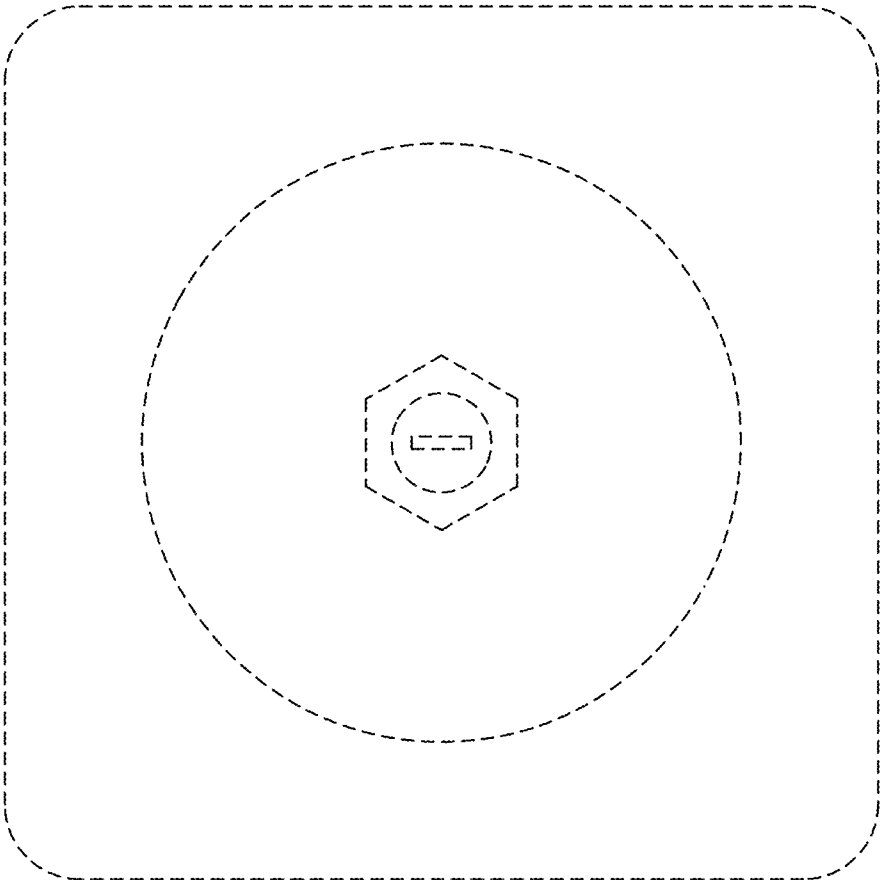


FIG. 8

