



US00D326692S

**United States Patent** [19]  
**Taylor et al.**

[11] **Patent Number: Des. 326,692**  
[45] **Date of Patent: \*\* Jun. 2, 1992**

[54] **TOY SUBMARINE**

[75] **Inventors: Christopher J. C. Taylor; Christopher C. Wiggs, both of London, Great Britain**

[73] **Assignee: Kiddicraft Limited, Bristol, Great Britain**

[\*\*] **Term: 14 Years**

[21] **Appl. No.: 520,398**

[22] **Filed: May 8, 1990**

[30] **Foreign Application Priority Data**

Nov. 8, 1989 [GB] United Kingdom ..... 2002262  
[52] **U.S. Cl. .... D21/130**  
[58] **Field of Search ..... D21/59, 130; 446/153, 446/160, 161, 164; D12/300, 308**

[56]

**References Cited**

**U.S. PATENT DOCUMENTS**

D. 196,087 8/1963 Armstrong ..... D21/130  
D. 239,613 4/1976 Askeborn ..... D21/130  
D. 245,529 8/1977 Hudson ..... D21/130  
D. 294,279 2/1988 Ferguson et al. .... D21/130  
D. 311,557 10/1990 Thomson et al. .... D21/130

*Primary Examiner*—Charles A. Rademaker

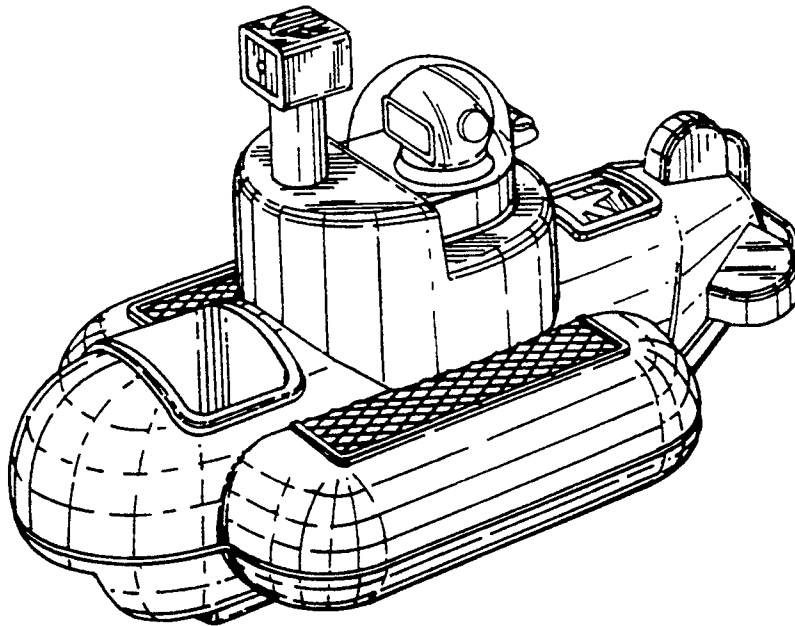
[57]

**CLAIM**

The ornamental design for a toy submarine, as shown and described.

**DESCRIPTION**

FIG. 1 is a front perspective view of a toy submarine showing our new design;  
FIG. 2 is a front elevational view thereof;  
FIG. 3 is a rear elevational view thereof;  
FIG. 4 is a side elevational view thereof;  
FIG. 5 is a side elevational view of the side opposite that shown in FIG. 4;  
FIG. 6 is a top plan view thereof; and,  
FIG. 7 is a bottom plan view thereof.



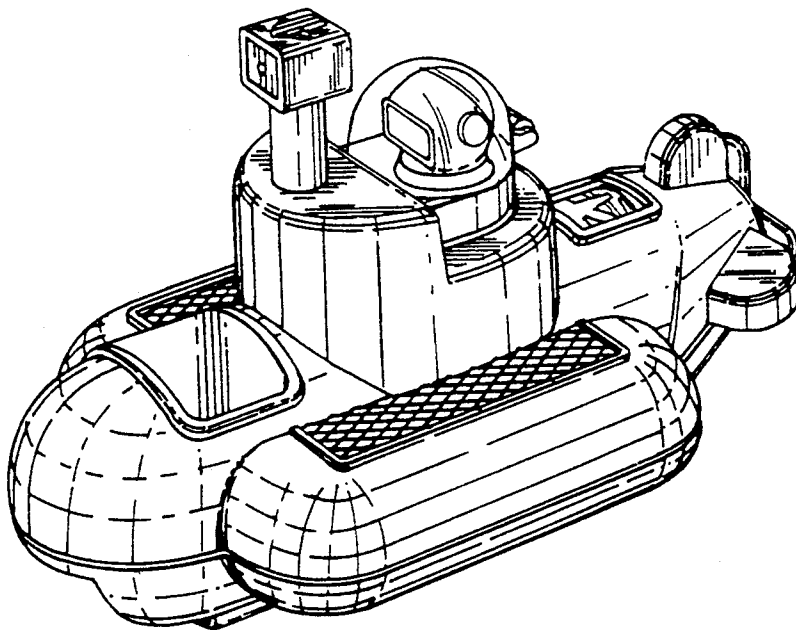


FIG. 1

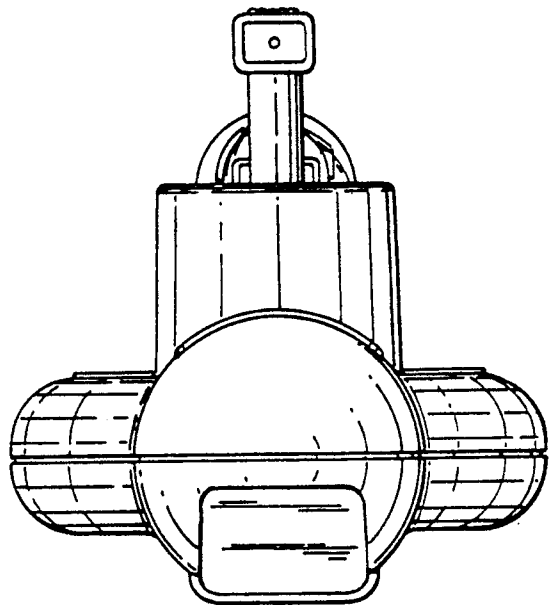


FIG. 2

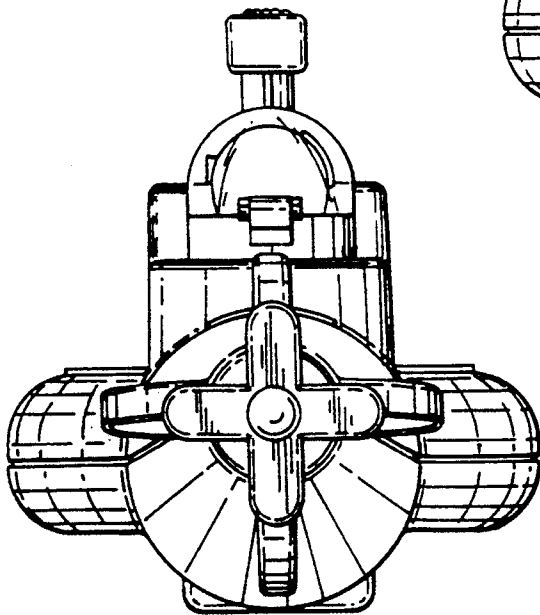


FIG. 3

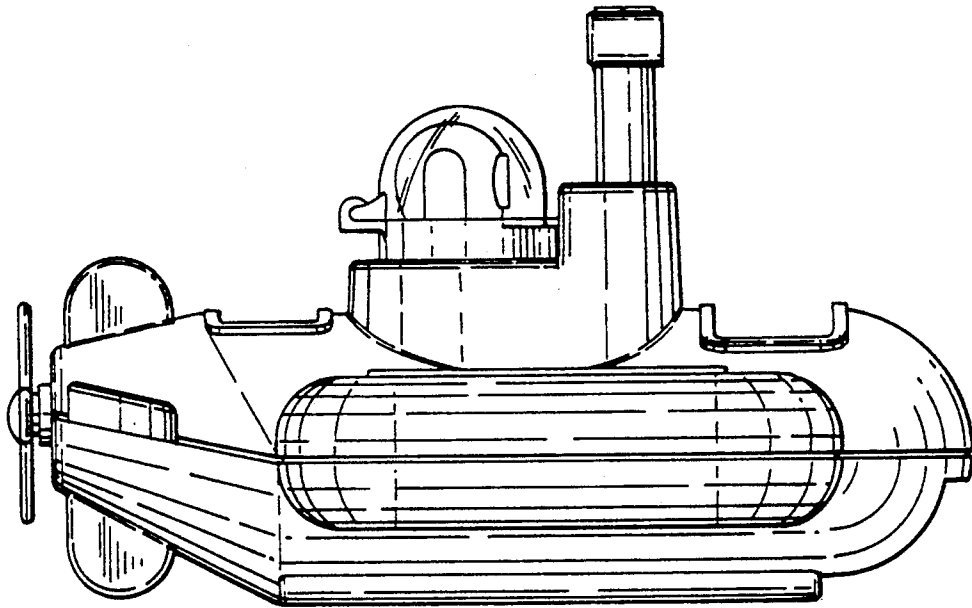


FIG. 4

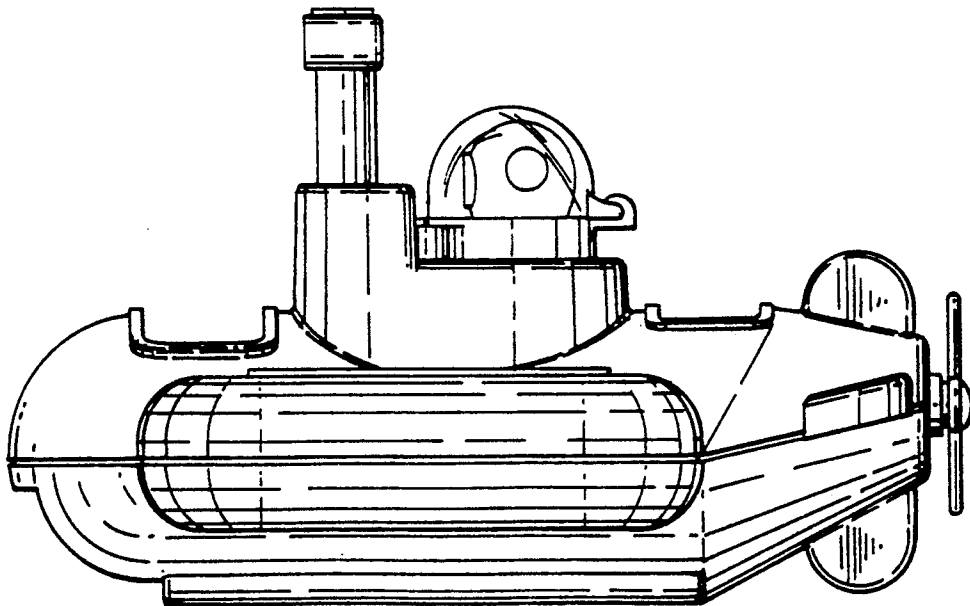


FIG. 5

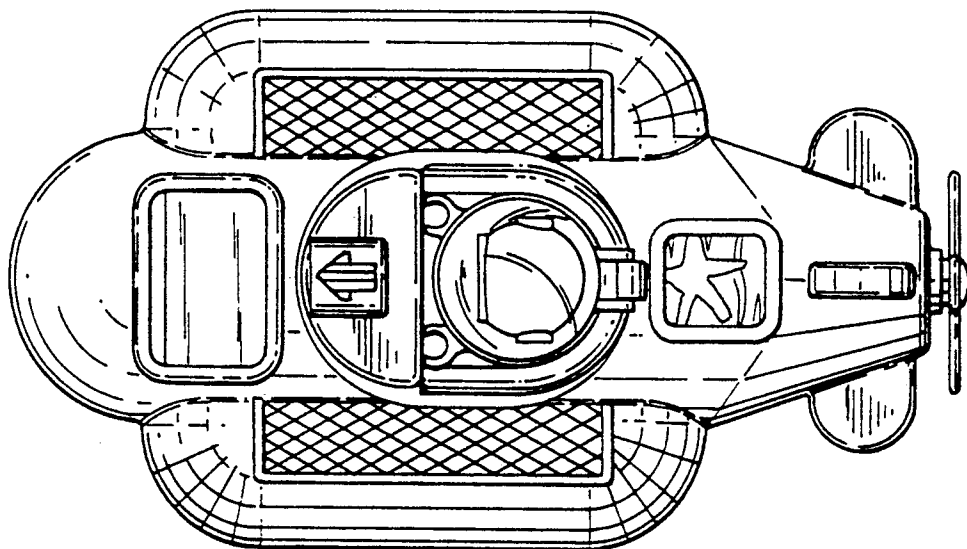


FIG. 6

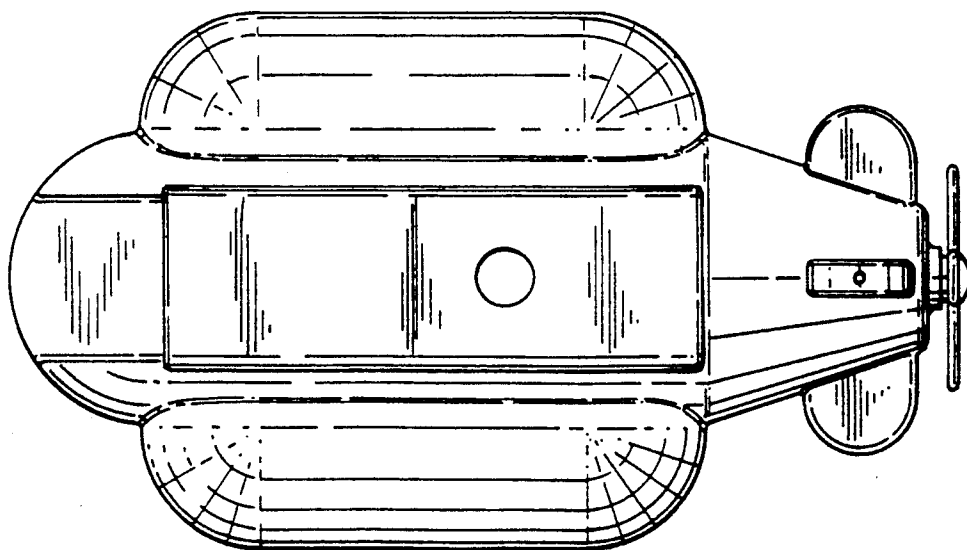


FIG. 7