



US00D922108S

(12) **United States Design Patent**  
**McDowell et al.**

(10) **Patent No.:** **US D922,108 S**  
(45) **Date of Patent:** **\*\* Jun. 15, 2021**

(54) **DISPLAY UNIT**

(71) Applicant: **Target Brands, Inc.**, Minneapolis, MN (US)

(72) Inventors: **Daniel K. McDowell**, Minneapolis, MN (US); **Sara L. Pedersen**, Minneapolis, MN (US)

(73) Assignee: **Target Brands, Inc.**, Minneapolis, MN (US)

(\*\*) Term: **15 Years**

(21) Appl. No.: **29/713,383**

(22) Filed: **Nov. 15, 2019**

(51) **LOC (13) Cl.** ..... **20-02**

(52) **U.S. Cl.**  
USPC ..... **D6/672**

(58) **Field of Classification Search**  
USPC ..... D6/329, 657, 659, 672, 675, 675.5, 676, D6/681, 681.1, 681.2  
CPC .... A47F 1/00; A47F 1/12; A47F 1/121; A47F 3/00; A47F 3/08; A47F 5/00; A47F 5/0018; A47F 5/0081; A47F 5/01; A47F 5/08; A47F 5/0876; A47F 5/0892; A47F 7/19

See application file for complete search history.

3,931,894 A \* 1/1976 Murphy ..... A47F 5/00 211/189

D244,659 S \* 6/1977 Coles ..... D6/675

4,035,941 A \* 7/1977 Deffner ..... G09F 13/12 40/219

4,148,533 A \* 4/1979 Bustos ..... G09F 23/06 108/23

4,319,688 A \* 3/1982 Wahl ..... A47F 5/00 211/175

D267,682 S \* 1/1983 Kates ..... D6/675

4,428,136 A \* 1/1984 Franklin ..... A47F 11/00 211/175

D276,680 S \* 12/1984 Miller ..... D6/676

4,541,675 A \* 9/1985 Everett ..... A47F 5/00 211/175

D288,641 S \* 3/1987 Kester ..... D6/675.2

4,657,149 A \* 4/1987 Masson ..... A47F 5/105 160/135

D290,204 S \* 6/1987 Bruget ..... D6/675.1

4,696,407 A \* 9/1987 Franklin ..... A47F 5/101 211/183

(Continued)

*Primary Examiner* — Steven J Cxyz  
(74) *Attorney, Agent, or Firm* — Leanne Taveggia Farrell; Westman, Champlin & Koehler, P.A.

(57) **CLAIM**  
The ornamental design for a display unit, as shown and described.

**DESCRIPTION**

FIG. 1 is a perspective view of a display unit showing our new design;  
FIG. 2 is a front view thereof;  
FIG. 3 is a back view thereof;  
FIG. 4 is a right side view thereof, the left side being a mirror image; and,  
FIG. 5 is a top view thereof.  
The broken lines shown in the drawings are included for purposes of illustrating portions of the display unit and form no part of the claimed design.

(56) **References Cited**  
U.S. PATENT DOCUMENTS

D70,515 S \* 7/1926 Turpisch et al. .... D6/682.4

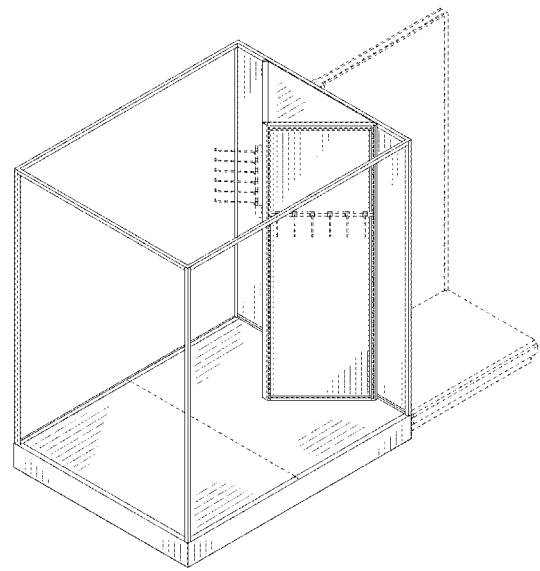
D82,082 S \* 9/1930 Finch et al. .... D6/676.1

2,914,872 A \* 12/1959 Goodrich ..... A47B 97/00 40/124

3,314,551 A \* 4/1967 Plastow ..... E04H 1/1272 211/199

3,559,814 A \* 2/1971 Downing ..... A47F 5/103 211/135

**1 Claim, 3 Drawing Sheets**



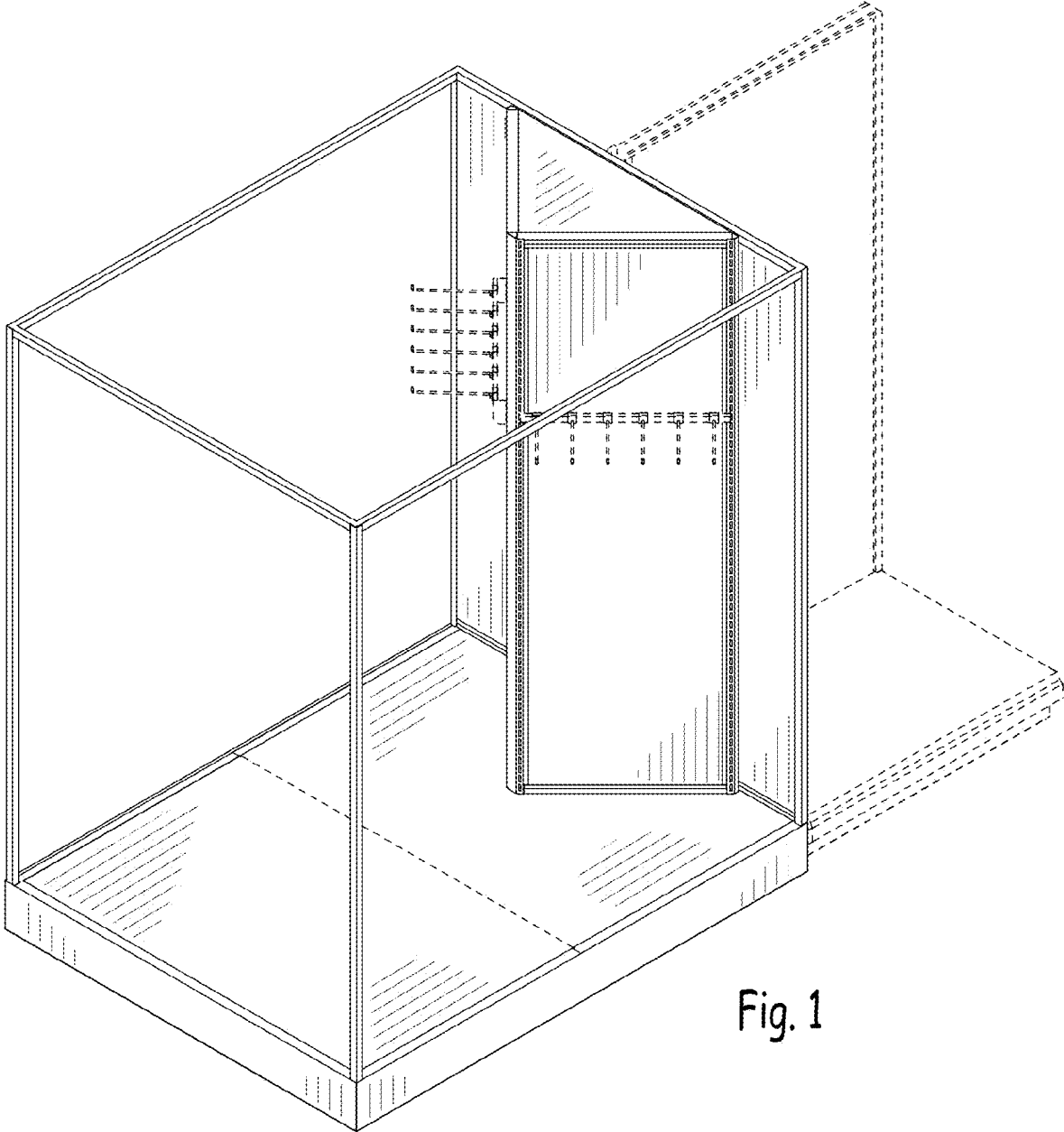
(56)

## References Cited

## U.S. PATENT DOCUMENTS

4,707,940	A *	11/1987	Franklin .....	A47F 5/10				
					211/199			
D293,176	S *	12/1987	Miller .....		D6/657			
D293,525	S *	1/1988	Miller .....		D6/657			
D294,090	S *	2/1988	Robertson .....		D6/675.1			
D296,503	S *	7/1988	Bell .....		D6/675			
D307,083	S *	4/1990	Knudsen .....		D6/676.1			
D314,477	S *	2/1991	Richter .....		D6/676.1			
D314,874	S *	2/1991	Quartermaine .....		D6/657			
D322,188	S *	12/1991	Leis .....		D6/675.5			
5,078,283	A *	1/1992	Wilson .....	A47F 5/101				
					160/135			
5,083,844	A *	1/1992	Gruenberg .....	A47B 47/03				
					312/140			
D325,137	S *	4/1992	Porter .....		D6/676.1			
D325,481	S *	4/1992	Leis .....		D6/675			
D327,788	S *	7/1992	Allen .....		108/1			
D370,367	S *	6/1996	Cassier .....		D6/676			
5,611,442	A *	3/1997	Howard .....	A47F 5/101				
					108/108			
5,620,103	A *	4/1997	Vlah .....	A47F 5/105				
					211/175			
D386,327	S *	11/1997	Rotchin .....		D25/16			
D402,133	S *	12/1998	Anderson .....		D6/657			
5,845,788	A *	12/1998	Robolin .....	A47F 3/008				
					211/17			
D439,768	S *	4/2001	Heiny .....		D6/672			
D451,305	S *	12/2001	Chang .....		D6/672			
D454,266	S *	3/2002	Kelley .....		D6/676.1			
D488,653	S *	4/2004	Ruff .....		D6/513			
D499,589	S *	12/2004	Ruff .....		D6/513			
6,920,990	B2 *	7/2005	Krueger .....	A47B 91/00				
					211/183			
D538,088	S *	3/2007	Ruff .....		D6/513			
D554,906	S *	11/2007	Pretty .....		D6/678.3			
D607,670	S *	1/2010	Trinh .....		D6/672			
D613,980	S *	4/2010	Buchholz .....		D6/514			
D622,083	S *	8/2010	Linder .....		D6/679			
D637,421	S *	5/2011	Theisen .....		D6/675.1			
D637,422	S *	5/2011	Theisen .....		D6/675.1			
D642,824	S *	8/2011	Theisen .....		D6/675			
7,988,244	B2 *	8/2011	Haws, Jr. ....	A47F 3/004				
					312/108			
D679,521	S *	4/2013	Hamm .....		D6/672			
D688,494	S *	8/2013	Hamm .....		D6/672			
D729,548	S *	5/2015	Denby .....		D6/672			
D730,662	S *	6/2015	Trinh .....		D6/672			
D731,824	S *	6/2015	Nigro .....		D6/681.2			
D732,853	S *	6/2015	Engebretson .....		D6/657			
D743,191	S *	11/2015	Clark .....		D6/675			
9,192,251	B1 *	11/2015	Theisen .....	A47F 5/0018				
9,217,273	B2 *	12/2015	Floersch .....	E06B 3/805				
D747,125	S *	1/2016	Clark .....		D6/675			
D751,843	S *	3/2016	Clark .....		D6/675			
D763,016	S *	8/2016	Clark .....		D6/675			
D764,213	S *	8/2016	Clark .....		D6/675			
D764,840	S *	8/2016	Pinna .....		D6/672			
D787,243	S *	5/2017	Yaraghi .....		D6/675.5			
D794,983	S *	8/2017	Peota .....		D6/675.1			
D796,873	S *	9/2017	Clark .....		D6/675			
D802,341	S *	11/2017	Yaraghi .....		D6/675			
D806,448	S *	1/2018	Burton .....		D6/657			
D808,201	S *	1/2018	Hawkins .....		D6/675.2			
D811,136	S *	2/2018	Nelson .....		D6/678			
D818,291	S *	5/2018	Aguilera .....		D6/676.2			
9,978,295	B1 *	5/2018	Denby .....	G09F 15/0056				
D820,012	S *	6/2018	Etterling .....		D6/682			
10,021,996	B2 *	7/2018	Cantwell .....	A47F 5/0876				
D835,925	S *	12/2018	Denby .....		D6/675			
D843,139	S *	3/2019	Burton .....		D6/672			
D843,756	S *	3/2019	Johnson .....		D6/675			
D844,349	S *	4/2019	Burton .....		D6/672			
D846,921	S *	4/2019	Ryu .....		D6/673			
10,299,610	B2 *	5/2019	Hawkins .....	A47F 5/0846				
D856,716	S *	8/2019	Music .....		D6/657			
D859,038	S *	9/2019	Davis .....		D6/675			
D862,938	S *	10/2019	Burton .....		D6/657			
10,448,755	B1 *	10/2019	McDowell .....	A47F 5/103				
D866,226	S *	11/2019	Burton .....		D6/672			
D868,505	S *	12/2019	Music .....		D6/657			
D869,207	S *	12/2019	Aruga .....		D6/676			
D884,397	S *	5/2020	Stafford .....		D6/678.1			
D898,485	S *	10/2020	Pedersen .....		D6/675			
D900,512	S *	11/2020	Ouyang .....		D6/675			
D901,947	S *	11/2020	Music .....		D6/672			
2007/0007865	A1 *	1/2007	Kang .....	A47F 3/005				
					312/114			
2014/0014604	A1 *	1/2014	de Moraes Correia .....		A63B 71/0622			
					211/85.7			

\* cited by examiner



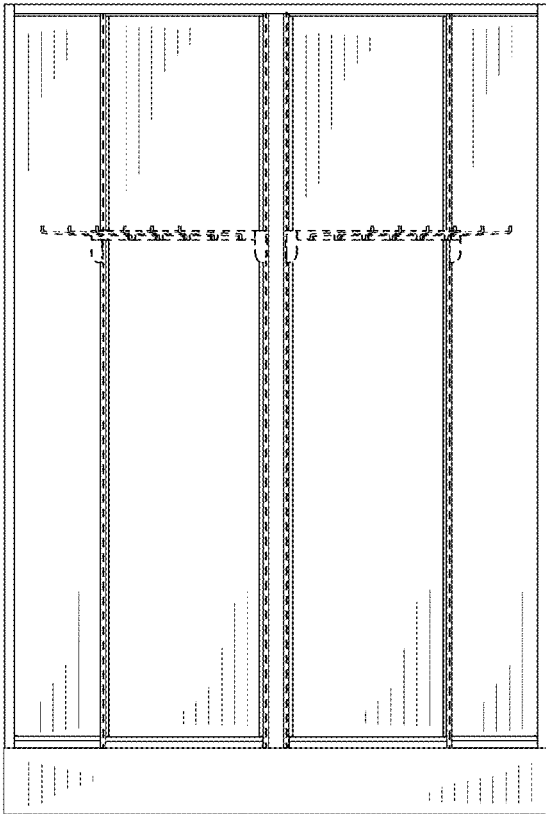


Fig. 2

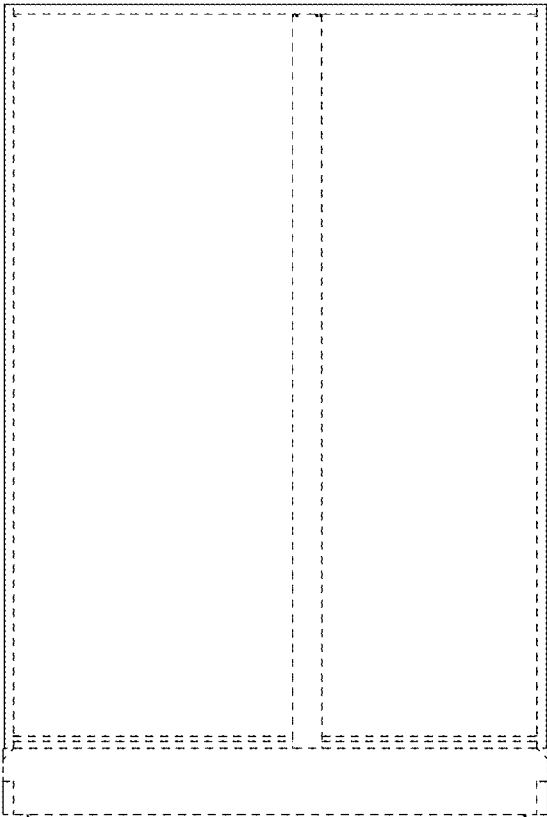


Fig. 3

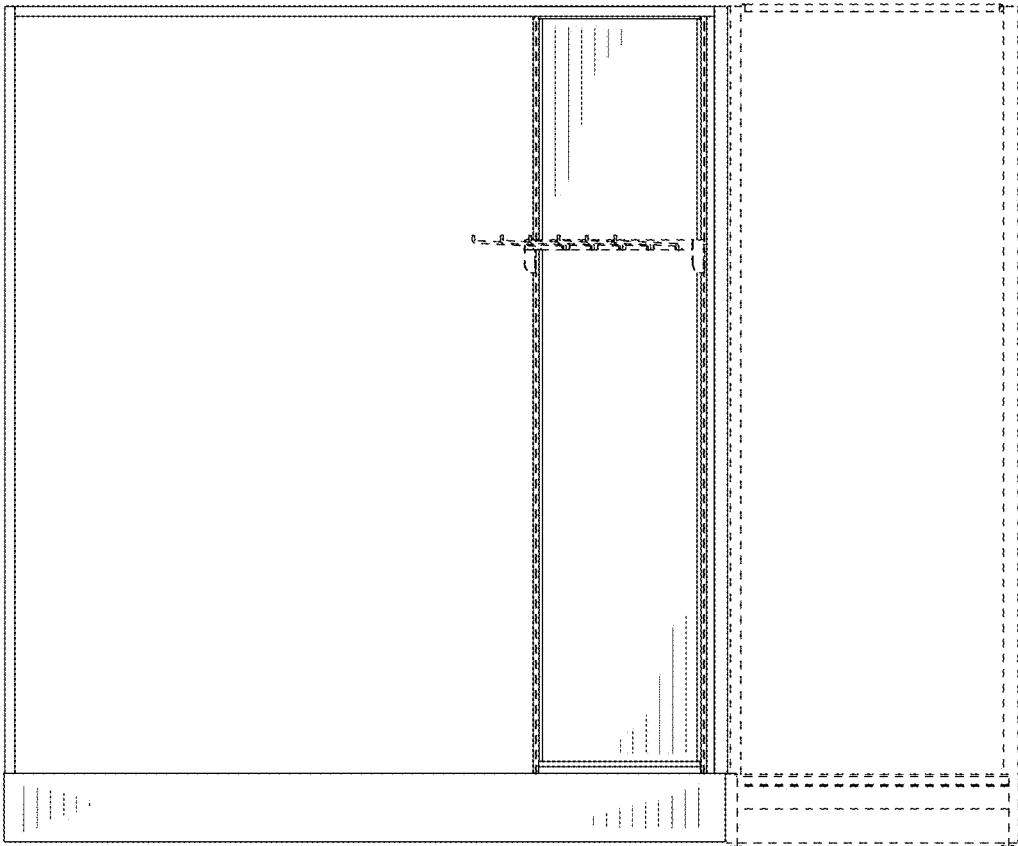


Fig. 4

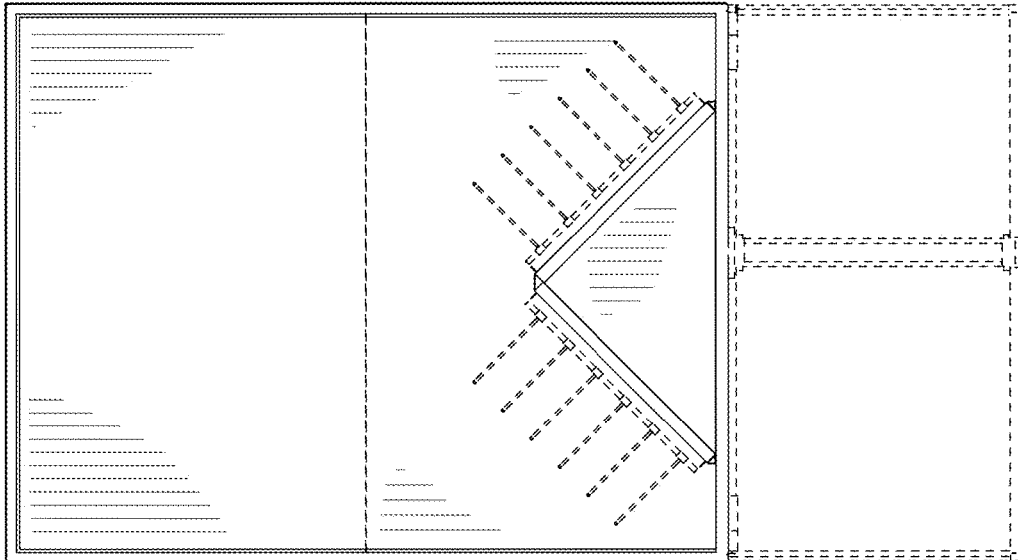


Fig. 5