



US00D847414S

(12) **United States Design Patent** (10) **Patent No.:** **US D847,414 S**
Danesh et al. (45) **Date of Patent:** **** Apr. 30, 2019**

(54) **LIGHTING MODULE** 4,154,218 A 5/1979 Hulet
4,154,219 A 5/1979 Gupta et al.
(71) Applicant: **DMF, Inc.**, Carson, CA (US) 4,399,497 A 8/1983 Druffel
4,520,435 A 5/1985 Baldwin
(72) Inventors: **Michael D. Danesh**, Carson, CA (US); 4,601,145 A 7/1986 Wilcox
Dan Hero De Guzman Cajumban, 4,723,747 A 2/1988 Karp et al.
Hayward, CA (US) 4,729,080 A 3/1988 Fremont et al.
(Continued)

(73) Assignee: **DMF, Inc.**, Carson, CA (US)

FOREIGN PATENT DOCUMENTS

(**) Term: **15 Years** CA 2815067 11/2013
CN 201259125 6/2009
(21) Appl. No.: **29/663,037** (Continued)

(22) Filed: **Sep. 11, 2018**

OTHER PUBLICATIONS

Related U.S. Application Data

David's Bridal, Inc. v. Jenny Yoo Collections, Inc., PGR2016-00041 (PTAB 2017), US D744723; Decision Denying Institution of Post-Grant Review Entered Feb. 22, 2017.

(63) Continuation of application No. 15/167,682, filed on May 27, 2016.

(Continued)

(51) **LOC (11) Cl.** **26-06**

(52) **U.S. Cl.**
USPC **D26/138**

Primary Examiner — Natasha Vujcic

(58) **Field of Classification Search**

(74) *Attorney, Agent, or Firm* — Cooley LLP; Nathan W. Poulsen

USPC D26/72, 74, 76, 118, 119, 120, 121, 122,
D26/138, 139, 140, 141, 142, 152
CPC F21S 2/00; F21S 4/00; F21S 4/003; F21S
4/005; F21S 4/006; F21S 4/007; F21S
4/008; F21S 6/00; F21S 8/00; F21S
8/024; F21S 8/026; F21S 8/031; F21S
8/033; F21S 8/035-8/037; F21S 8/04;
F21S 8/043; F21S 8/063

(57) **CLAIM**

The ornamental design for a lighting module, as shown and described.

See application file for complete search history.

DESCRIPTION

FIG. 1 is an exploded right rear perspective view of the new design for a lighting module, the left rear perspective view being a reverse mirror image thereof; and,

FIG. 2 is a front left perspective view of the new design for a lighting module, the front right perspective view being a reverse mirror image thereof.

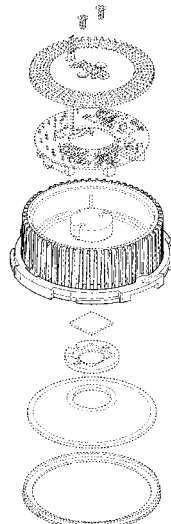
The portions or features of the lighting module not shown in the drawings form no part of the claimed design. The broken lines in the drawings form no part of the claimed design.

(56) **References Cited**

U.S. PATENT DOCUMENTS

2,038,784 A 4/1936 Ghadiali
3,422,261 A 1/1969 McGinty
3,460,299 A 8/1969 Wilson
3,650,046 A 3/1972 Skinner
4,088,827 A 5/1978 Kohaut

1 Claim, 2 Drawing Sheets



(56)

References Cited

U.S. PATENT DOCUMENTS

4,754,377	A	6/1988	Wenman	7,473,005	B2	1/2009	O'Brien	
4,930,054	A	5/1990	Krebs	7,488,097	B2	2/2009	Reisenauer et al.	
5,216,203	A	6/1993	Gower	7,503,145	B2	3/2009	Newbold et al.	
5,250,269	A	10/1993	Langer et al.	7,524,089	B2	4/2009	Park	
5,382,752	A	1/1995	Reyhan et al.	D591,894	S *	5/2009	Flank	D26/74
5,444,606	A	8/1995	Barnes et al.	7,534,989	B2	5/2009	Suehara et al.	
5,465,199	A	11/1995	Bray et al.	7,566,154	B2	7/2009	Gloisten et al.	
5,544,870	A	8/1996	Kelley et al.	D599,040	S	8/2009	Alexander et al.	
5,562,343	A	10/1996	Chan et al.	D600,836	S	9/2009	Hanley et al.	
5,571,993	A	11/1996	Jones et al.	7,588,359	B2	9/2009	Coushaine et al.	
5,580,158	A	12/1996	Aubrey et al.	7,592,583	B2	9/2009	Page et al.	
5,588,737	A	12/1996	Kusmer	D606,696	S	12/2009	Chen	
5,603,424	A	2/1997	Bordwell et al.	7,625,105	B1	12/2009	Johnson	
D381,111	S	7/1997	Lecluze	7,628,513	B2	12/2009	Chiu	
5,662,413	A	9/1997	Akiyama et al.	7,651,238	B2	1/2010	O'Brien	
D386,277	S	11/1997	Lecluze	7,654,705	B2	2/2010	Czech et al.	
D387,466	S	12/1997	Lecluze	D611,650	S	3/2010	Broekhoff	
5,738,436	A	4/1998	Cummings et al.	7,670,021	B2	3/2010	Chou	
5,836,678	A	11/1998	Wright et al.	7,677,766	B2	3/2010	Boyer	
5,942,726	A	8/1999	Reiker	7,692,182	B2	4/2010	Bergmann	
5,944,412	A	9/1999	Janos et al.	7,704,763	B2	4/2010	Fujii et al.	
5,975,323	A	11/1999	Turan	D616,118	S	5/2010	Thomas et al.	
6,082,878	A	7/2000	Doubek et al.	7,722,208	B1	5/2010	Dupre et al.	
6,105,334	A	8/2000	Monson et al.	7,722,227	B2	5/2010	Zhang et al.	
6,161,910	A	12/2000	Reisenauer et al.	7,748,887	B2	7/2010	Zampini, II et al.	
6,170,685	B1	1/2001	Currier	7,766,518	B2	8/2010	Piepgas	
6,174,076	B1	1/2001	Petrakis et al.	7,769,192	B2	8/2010	Takagi et al.	
6,267,491	B1	7/2001	Parrigin	7,771,082	B2	8/2010	Peng	
6,350,043	B1	2/2002	Gloisten	D624,691	S *	9/2010	Zhang	D26/138
6,364,511	B1	4/2002	Cohen	D624,692	S	9/2010	Mackin et al.	
D461,455	S	8/2002	Forbes	D625,847	S	10/2010	Maglica	
6,474,846	B1	11/2002	Kelmelis et al.	D625,876	S	10/2010	Chen et al.	
6,491,413	B1	12/2002	Benesohn	D627,727	S	11/2010	Alexander et al.	
D470,970	S	2/2003	Huang	7,828,465	B2	11/2010	Roberge et al.	
6,515,313	B1	2/2003	Ibbetson et al.	7,871,184	B2	1/2011	Peng	
D471,657	S	3/2003	Huang	D633,224	S	2/2011	Lee	
6,583,573	B2	6/2003	Bierman	D636,903	S	4/2011	Torenbeek	
6,585,389	B2	7/2003	Bonazzi	D637,339	S	5/2011	Hasan et al.	
6,600,175	B1	7/2003	Baretz et al.	D637,340	S	5/2011	Hasan et al.	
6,657,236	B1	12/2003	Thibeault et al.	7,950,832	B2	5/2011	Tanaka et al.	
D488,583	S	4/2004	Benghozi	D639,499	S	6/2011	Choi et al.	
6,719,438	B2	4/2004	Sevack et al.	D640,819	S	6/2011	Pan	
6,758,578	B1	7/2004	Chou	7,959,332	B2	6/2011	Tickner et al.	
6,906,352	B2	6/2005	Edmond et al.	7,967,480	B2	6/2011	Pickard et al.	
D509,314	S	9/2005	Rashidi	D642,317	S	7/2011	Rashidi	
6,948,829	B2	9/2005	Verdes et al.	7,972,035	B2	7/2011	Boyer	
6,958,497	B2	10/2005	Emerson	7,972,043	B2	7/2011	Schutte	
6,964,501	B2	11/2005	Ryan	D643,970	S	8/2011	Kim et al.	
D516,235	S	2/2006	Rashidi	D646,011	S	9/2011	Rashidi	
7,025,476	B2	4/2006	Leadford	8,038,113	B2	10/2011	Fryzek et al.	
D528,673	S	9/2006	Maxik et al.	D648,476	S	11/2011	Choi et al.	
D531,740	S	11/2006	Maxik	D648,477	S	11/2011	Kim et al.	
D532,532	S	11/2006	Maxik	D650,115	S	12/2011	Kim et al.	
7,148,632	B2	12/2006	Berman	8,070,328	B1	12/2011	Knoble et al.	
7,152,985	B2	12/2006	Benitez et al.	8,096,670	B2	1/2012	Trott	
7,181,378	B2	2/2007	Benitez et al.	D654,205	S	2/2012	Rashidi	
7,186,008	B2	3/2007	Patti	D656,263	S	3/2012	Ogawa et al.	
7,190,126	B1	3/2007	Paton	8,142,057	B2	3/2012	Roos et al.	
7,211,833	B2	5/2007	Slater	8,152,334	B2	4/2012	Krogman	
7,213,940	B1	5/2007	Van De et al.	D658,788	S	5/2012	Dudik et al.	
D547,889	S	7/2007	Huang	D658,802	S	5/2012	Chen	
D553,267	S	10/2007	Yuen	D659,862	S	5/2012	Tsai	
7,312,474	B2	12/2007	Emerson et al.	D659,879	S	5/2012	Rashidi	
7,320,536	B2	1/2008	Petrakis et al.	D660,814	S	5/2012	Wilson	
D561,372	S	2/2008	Yan	8,182,116	B2	5/2012	Zhang et al.	
D561,373	S	2/2008	Yan	8,201,968	B2	6/2012	Maxik et al.	
7,335,920	B2	2/2008	Denbaars et al.	D663,058	S	7/2012	Pan	
D570,012	S	5/2008	Huang	D663,466	S	7/2012	Rashidi	
7,374,308	B2	5/2008	Sevack et al.	D664,274	S	7/2012	de Visser et al.	
D570,504	S	6/2008	Maxik et al.	D664,705	S	7/2012	Kong et al.	
D570,505	S	6/2008	Maxik et al.	8,215,805	B2	7/2012	Cogliano et al.	
7,399,104	B2	7/2008	Rappaport	8,220,970	B1	7/2012	Khazi et al.	
D578,677	S	10/2008	Huang	8,226,270	B2	7/2012	Yamamoto et al.	
7,431,482	B1	10/2008	Morgan et al.	D667,155	S *	9/2012	Rashidi	D26/74
7,446,345	B2	11/2008	Emerson et al.	8,262,255	B1	9/2012	Rashidi	
				D666,809	S	10/2012	Rashidi	
				D668,372	S	10/2012	Renshaw	
				D669,198	S	10/2012	Qui	
				D669,199	S	10/2012	Chuang	

(56)

References Cited

U.S. PATENT DOCUMENTS

D669,620	S	10/2012	Rashidi		D726,949	S	4/2015	Redfern	
8,277,090	B2	10/2012	Fryzek et al.		9,039,254	B2	5/2015	Danesh	
D671,668	S *	11/2012	Rowlette, Jr.	D26/74	D731,689	S	6/2015	Bernard et al.	
8,308,322	B2	11/2012	Santiago et al.		9,062,866	B1	6/2015	Christ et al.	
D672,899	S *	12/2012	Van De Ven	D26/74	9,068,719	B2	6/2015	Van De Ven et al.	
D673,869	S	1/2013	Yu		D734,525	S	7/2015	Gordin	
8,376,593	B2	2/2013	Bazydola		D735,142	S	7/2015	Hagarty	
D677,417	S	3/2013	Rashidi		9,078,299	B2	7/2015	Ashdown	
D679,044	S *	3/2013	Jeswani	D26/74	D735,933	S *	8/2015	Campagna	D26/142
D679,047	S	3/2013	Tickner et al.		9,109,760	B2	8/2015	Shum et al.	
8,403,533	B1	3/2013	Paulsal		D739,590	S	9/2015	Redfern	
8,403,541	B1	3/2013	Rashidi		9,140,441	B2	9/2015	Goetz et al.	
D681,259	S	4/2013	Kong		9,151,457	B2	10/2015	Pickard et al.	
8,408,759	B1	4/2013	Rashidi		9,151,477	B2	10/2015	Pickard et al.	
D682,459	S	5/2013	Gordin		D744,723	S	12/2015	Yoo	
D683,063	S	5/2013	Lopez et al.		9,217,560	B2	12/2015	Harbers	
D683,890	S	6/2013	Lopez et al.		9,222,661	B2	12/2015	Kim	
D684,269	S	6/2013	Wang et al.		9,285,103	B2	3/2016	Van De Ven et al.	
D684,287	S *	6/2013	Rashidi	D26/74	9,291,319	B2	3/2016	Kathawate et al.	
D684,719	S	6/2013	Rashidi		9,301,362	B2	3/2016	Dohn et al.	
D685,118	S	6/2013	Rashidi		9,310,038	B2	4/2016	Athalys	
D685,120	S	6/2013	Rashidi		9,310,052	B1	4/2016	Shum	
8,454,204	B1	6/2013	Chang et al.		9,347,655	B2	5/2016	Boomgaarden et al.	
D685,507	S	7/2013	Sun		9,360,190	B1	6/2016	Shum et al.	
D687,586	S	8/2013	Rashidi		9,371,966	B2	6/2016	Rowlette, Jr.	
D687,587	S *	8/2013	Rashidi	D26/74	D762,181	S	7/2016	Lin	
D687,588	S *	8/2013	Rashidi	D26/74	D762,906	S	8/2016	Jeswani et al.	
D687,980	S	8/2013	Gravely et al.		D764,079	S	8/2016	Wu	
D688,405	S	8/2013	Kim et al.		9,417,506	B1	8/2016	Tirosh	
D690,049	S	9/2013	Rashidi		D766,185	S	9/2016	Hagarty	
D690,864	S	10/2013	Rashidi		D768,325	S	10/2016	Xu	
D690,865	S	10/2013	Rashidi		D768,326	S	10/2016	Guzzini	
D690,866	S *	10/2013	Rashidi	D26/74	D769,501	S	10/2016	Jeswani et al.	
D691,314	S	10/2013	Rashidi		D770,065	S	10/2016	Tittle	
D691,315	S	10/2013	Samson		9,476,552	B2	10/2016	Myers et al.	
D691,763	S	10/2013	Hand et al.		9,488,324	B2	11/2016	Shum et al.	
8,550,669	B2	10/2013	Macwan et al.		D776,324	S	1/2017	Gierl et al.	
D693,043	S	11/2013	Schmalfluss et al.		D777,967	S	1/2017	Redfern	
D693,617	S	11/2013	Davis		9,534,751	B2	1/2017	Maglica et al.	
D694,456	S	11/2013	Rowlette, Jr. et al.		D778,241	S	2/2017	Holbrook et al.	
D695,441	S	12/2013	Lui et al.		D778,484	S	2/2017	Guzzini	
D695,941	S *	12/2013	Rashidi	D26/74	D779,100	S	2/2017	Redfern	
D696,446	S	12/2013	Huh		9,581,302	B2	2/2017	Danesh	
D696,447	S	12/2013	Huh		9,599,315	B1	3/2017	Harpenau et al.	
D696,448	S	12/2013	Huh		9,605,910	B2	3/2017	Swedberg et al.	
8,602,601	B2	12/2013	Khazi et al.		D785,228	S	4/2017	Guzzini	
D698,067	S	1/2014	Rashidi		D786,472	S	5/2017	Redfern	
D698,068	S	1/2014	Rashidi		D786,474	S	5/2017	Fujisawa	
D698,985	S	2/2014	Lopez et al.		D790,102	S	6/2017	Guzzini	
D699,384	S	2/2014	Rashidi		9,673,597	B2	6/2017	Lee	
D700,387	S	2/2014	Snell		9,702,516	B1	7/2017	Vasquez et al.	
8,641,243	B1	2/2014	Rashid		D799,105	S *	10/2017	Eder	D26/138
8,659,034	B2	2/2014	Baretz et al.		D800,957	S *	10/2017	Eder	D26/138
D701,466	S	3/2014	Clifford et al.		9,791,111	B1	10/2017	Huang et al.	
8,672,516	B2	3/2014	Boomgaarden et al.		9,803,839	B2	10/2017	Visser et al.	
D702,867	S	4/2014	Kim et al.		D809,176	S	1/2018	Partington	
D703,843	S	4/2014	Cheng		9,860,961	B2	1/2018	Chemel	
8,684,569	B2	4/2014	Pickard et al.		9,964,266	B2 *	5/2018	Danesh	F21S 8/02
D705,472	S	5/2014	Huh		D820,494	S	6/2018	Cohen	
8,727,582	B2	5/2014	Brown et al.		D821,615	S	6/2018	Trice	
D708,381	S	7/2014	Rashidi		D821,627	S	6/2018	Ko	
D710,529	S	8/2014	Lopez et al.		D822,505	S	7/2018	Gibson et al.	
8,801,217	B2	8/2014	Oehle et al.		D825,829	S *	8/2018	Guo	D26/138
D714,989	S	10/2014	Rowlette, Jr. et al.		2002/0172047	A1	11/2002	Ashley	
8,870,426	B2	10/2014	Biebl et al.		2005/0225966	A1	10/2005	Hartmann et al.	
8,888,332	B2	11/2014	Martis et al.		2005/0227536	A1	10/2005	Gamache et al.	
8,890,414	B2	11/2014	Rowlette, Jr. et al.		2005/0237746	A1	10/2005	Yiu	
D721,845	S	1/2015	Lui et al.		2006/0158873	A1	7/2006	Newbold et al.	
D722,296	S	2/2015	Taylor		2006/0216408	A1	9/2006	Lee	
D722,978	S	2/2015	Hagarty		2007/0035951	A1	2/2007	Tseng	
8,950,898	B2	2/2015	Catalano		2007/0185675	A1	8/2007	Papamichael et al.	
D723,781	S	3/2015	Miner		2007/0206374	A1	9/2007	Petrakis et al.	
D723,783	S	3/2015	Miner		2008/0019138	A1	1/2008	Otte et al.	
D725,359	S	3/2015	Miner		2008/0112168	A1	5/2008	Pickard et al.	
D726,363	S *	4/2015	Danesh	D26/138	2008/0112170	A1	5/2008	Trott	
					2008/0112171	A1	5/2008	Patti et al.	
					2008/0130308	A1	5/2008	Behr	
					2008/0137347	A1	6/2008	Trott et al.	
					2008/0165545	A1	7/2008	O'Brien	

(56)

References Cited

U.S. PATENT DOCUMENTS

2008/0232116 A1 9/2008 Kim
 2009/0003009 A1 1/2009 Tessnow et al.
 2009/0034261 A1 2/2009 Grove
 2009/0080189 A1 3/2009 Wegner
 2009/0135613 A1 5/2009 Peng
 2009/0141500 A1 6/2009 Peng
 2009/0141506 A1 6/2009 Lan
 2009/0141508 A1 6/2009 Peng
 2009/0147517 A1 6/2009 Li
 2009/0161356 A1 6/2009 Negley et al.
 2009/0237924 A1 9/2009 Ladewig
 2009/0280695 A1 11/2009 Sekela et al.
 2010/0002320 A1 1/2010 Minano et al.
 2010/0014282 A1 1/2010 Danesh
 2010/0061108 A1 3/2010 Zhang et al.
 2010/0110690 A1 5/2010 Hsu et al.
 2010/0110698 A1 5/2010 Harwood et al.
 2010/0148673 A1 6/2010 Stewart et al.
 2010/0149822 A1 6/2010 Cogliano et al.
 2010/0244709 A1 9/2010 Steiner et al.
 2010/0246172 A1 9/2010 Liu
 2010/0259919 A1 10/2010 Khazi et al.
 2010/0270903 A1 10/2010 Jao et al.
 2010/0302778 A1 12/2010 Dabiet et al.
 2011/0063831 A1 3/2011 Cook
 2011/0068687 A1 3/2011 Takahasi
 2011/0069499 A1 3/2011 Trott et al.
 2011/0116276 A1 5/2011 Okamura et al.
 2011/0134634 A1 6/2011 Gingrich, III et al.
 2011/0134651 A1 6/2011 Berman
 2011/0170294 A1 7/2011 Mier-Langner et al.
 2011/0194299 A1 8/2011 Crooks et al.
 2011/0216534 A1 9/2011 Tickner et al.
 2011/0226919 A1 9/2011 Fryzek et al.
 2011/0255292 A1 10/2011 Shen
 2011/0267828 A1 11/2011 Bazydola et al.
 2012/0020104 A1 1/2012 Biebl et al.
 2012/0074852 A1 3/2012 Delnoij
 2012/0106176 A1 5/2012 Lopez et al.
 2012/0113642 A1 5/2012 Catalano
 2012/0140442 A1 6/2012 Woo et al.
 2012/0162994 A1 6/2012 Wasniewski et al.
 2012/0182744 A1 7/2012 Santiago et al.
 2012/0188762 A1 7/2012 Joung et al.
 2012/0287625 A1 11/2012 Macwan et al.
 2013/0009552 A1 1/2013 Page
 2013/0010476 A1 1/2013 Pickard et al.
 2013/0051012 A1 2/2013 Oehle et al.
 2013/0141913 A1 6/2013 Sachsenweger
 2013/0163254 A1 6/2013 Chang et al.
 2013/0170233 A1 7/2013 Nezu et al.
 2013/0258677 A1 10/2013 Fryzek et al.
 2013/0294084 A1 11/2013 Kathawate et al.
 2013/0322062 A1 12/2013 Danesh
 2013/0335980 A1 12/2013 Nakasuji
 2014/0049957 A1 2/2014 Goelz et al.
 2014/0140490 A1 5/2014 Roberts et al.
 2014/0063818 A1 6/2014 Randolph et al.
 2014/0254177 A1 9/2014 Danesh
 2014/0347848 A1 11/2014 Pisavadia et al.
 2015/0009676 A1 1/2015 Danesh
 2015/0138779 A1 5/2015 Livesay et al.
 2015/0184837 A1 7/2015 Zhang et al.
 2015/0198324 A1 7/2015 O'Brien et al.
 2015/0233556 A1 8/2015 Danesh
 2015/0263497 A1 9/2015 Korcz et al.
 2015/0276185 A1 10/2015 Bailey et al.
 2015/0362159 A1 12/2015 Ludyjan
 2016/0312987 A1 10/2016 Danesh
 2016/0348860 A1 12/2016 Danesh
 2016/0348861 A1 12/2016 Bailey et al.
 2016/0366738 A1 12/2016 Boulanger et al.
 2017/0005460 A1 1/2017 Lee

2017/0045213 A1 2/2017 Williams et al.
 2017/0138576 A1* 5/2017 Peng F21S 8/02
 2017/0307188 A1 10/2017 Oudina et al.

FOREIGN PATENT DOCUMENTS

CN 201259125 Y 6/2009
 CN 101608781 A 12/2009
 CN 201636626 U 11/2010
 CN 202392473 U 11/2011
 CN 103307518 A 3/2012
 CN 202733693 U 2/2013
 CN 103322476 A 9/2013
 CN 203215483 U 9/2013
 CN 20327663 U 11/2013
 CN 101498411 B 11/2013
 CN 104654142 A 11/2013
 CN 203297980 U 11/2013
 CN 103712135 B 12/2013
 CN 203628464 U 12/2013
 CN 203641919 U 6/2014
 CN 204513161 U 7/2015
 CN 204611541 U 9/2015
 CN 204829578 U 12/2015
 CN 205606362 U 9/2016
 CN 2016130742 U 4/2017
 CN 103154606 B 5/2017
 DE 9109828 U1 2/1992
 EP 1 672 156 A1 6/2006
 EP 2 095 938 A1 2/2008
 EP 2 306 072 A1 4/2011
 EP 2 453 169 A2 5/2012
 EP 2 193 309 B1 7/2012
 GB 2509772 A 7/2014
 JP 2007265961 10/2007
 JP 2011060450 A2 3/2011
 JP 2012064551 A2 3/2012
 JP 2015002027 A2 6/2013
 JP 2015002028 A2 1/2015
 JP 20171076699 A2 6/2017
 KR 1020110008796 A 1/2011
 KR 1020120061625 A 6/2012
 WO WO 2013/128896 A1 9/2013
 WO WO 2015/000212 A1 1/2015
 WO WO 2016152166 A2 8/2016

OTHER PUBLICATIONS

Appeal 2016-007893 (2017 PTAB) for U.S. Appl. No. 29/465,550, now patent D822505, Board Decision—Examiner Reversed; Decision reversing rejection under 35 USC 112, Oct. 2, 2017.
Skechers USA, Inc., v. Nike, Inc., IPR2016-00871 (PTAB 2016), US D725,359; Decision Denying Institution of Inter Partes Review, Sep. 29, 2016.
Skechers v. Nike, No. 2017-00621, Final Written Decision; Jun. 28, 2018.
Skechers v. Nike, No. 2017-00620, Final Written Decision; Jun. 28, 2018.
 DRD2 LED Recessed Down Lighting DMF Light Catalog Oct. 23, 2014.
 Dmf DRD2 Recessed LED Downlight General Retrofit Junction Box Dated: Dec. 18, 2015 Downloaded Jul. 28, 2018, from <https://www.alconlighting.com/specsheets/DMF/DRD2-Junction-Box-Retrofit-Spec-Sheet.pdf>.
 Dmf DRD2 Recessed LED Downlight General New Construction 4", 5", 6" Aperture Dated: Aug. 31, 2016 Downloaded Jul. 28, 2018, from https://www.cansandfans.com/sites/default/files/DRD2-General-New-Construction-Spec-Sheet_7_0.pdf.
 Mar. 5, 2016—The DMF Lighting DRD2 Recessed LED Downlight General Retrofit Junction Box—Wet Location Rated is the ideal solution for Commercial LED recessed lighting retrofit applications. web cache <https://www.alconlighting.com/dmf-drd2m.html> (downloaded Jul. 28, 2018).
 DRD2 Recessed LED Downlight General New Construction 4", 5", 6" Aperture Product Specifications Dated: Jun. 15, 2016.

(56)

References Cited

OTHER PUBLICATIONS

Non-Final Office Action dated Jul. 24, 2018 for U.S. Appl. No. 29/638,259.

Non-Final Office Action dated Apr. 12, 2018 for U.S. Appl. No. 29/638,259.

The Imtra Marine Lighting 2012 Catalog downloaded from the Internet Archive at: https://web.archive.org/web/20120617141635/http://www.imtra.com:80/COLLATERAL/DOCUMENT/ENGLISH-US/PRODUCTS/IML_BROCHURE.PDF, downloaded Oct. 9, 2018, 40 pages.

Imtra Portland Bi-Color LED downloaded from the Internet Archive at: <https://web.archive.org/web/20130125092712/http://www.imtra.com:80/0ade25fb-3218-4cae-a926-6abe64ffd93a/lighting-light-fixtures-downlights-3-to-4-inches-detail.htm>, 2012, downloaded Oct. 9, 2018, 1 page.

Cree LMH2 LED Module downloaded from the Internet Archive at: <https://web.archive.org/web/20120909164757/www.mouser.com/new/cree/creelmh2>, 1996-2012, downloaded Oct. 9, 2018, 2 pages.

Cree LMH2 LED Module Data Sheet; "LED modules advance in performance, standardization questions persist," downloaded from the Internet Archive at: https://web.archive.org/web/20120111020942/http://www.cree.com/products/pdf/LEDModules_LMH2.pdf, Oct. 29, 2013, downloaded Oct. 9, 2018, 9 pages.

Cree LMH2 LED Design Guide downloaded from the Internet Archives at: http://web.archive.org/web/20131102045753/http://www.cree.com:80/~media/Files/Cree/LED%20Components%20and%20Modules/Modules/Design%20Files%20LMH2/LEDmodules_LMH2_DG.pdf, 2011-2013, 20 pages.

Mini LED Puck Light from Elco Lighting, model No. E247W, E247B, E247N, E247BZ downloaded from the Internet Archives at: <https://elcolighting.com/printpdf/products/undercabinet-pucks-xyris%20E2%84%A2-mini-led-puck-light>, 2018, 1 page.

LED Undercabinet Pocket Guide, "Drivers for LED Puck Lights", LED Undercabinet Pocket Guide, downloaded from the Internet Archives at: <https://elcolighting.com/sites/default/files/catalog-elcpat1045-undercabinet.pdf>, 12 pages.

Versi LED Mini Flush Installation Instructions downloaded from the Internet Archives at: http://sunoptics.acuitybrands.com/products/detail/174967/lithonia-lighting/led-versi-lite/decorative-indoor-flush-mount/~media/products/lithonia_lighting/174967/document/u990636-rev-a.pdf.pdf, 2 pages.

Bortz, J. C. et al., "Optimal design of a nonimaging TIR doublet lens for an illumination system using an LED source", Proc. SPIE 5529, Nonimaging Optics and Efficient Illumination Systems, (Sep. 29, 2004); doi: 10.1117/12.562598; <https://doi.org/10.1117/12.562598>, 10 pages.

Dross, O. et al., "Review of SMS design methods and real-world applications", Proc. SPIE 5529, Nonimaging Optics and Efficient Illumination Systems, (Sep. 29, 2004); doi: 10.1117/12.561336; <https://doi.org/10.1117/12.561336>, 14 pages.

Medvedev, V. et al., "Uniform LED illuminator for miniature displays," Proc. SPIE 3428, Illumination and Source Engineering, (Oct. 20, 1998); doi: 10.1117/12.327957; <https://doi.org/10.1117/12.327957>, 13 pages.

Notice of Allowance dated May 22, 2018 from U.S. Appl. No. 14/183,424, 9 pages.

Parkyn, W. A. et al., "New TIR lens applications for light-emitting diodes", Proc. SPIE 3139, Nonimaging Optics: Maximum Efficiency Light Transfer IV, (Oct. 3, 1997); doi: 10.1117/12.290217, 7 pages.

Schreiber, P. et al., "Microoptics for homogeneous LED-illumination", Proc. SPIE 6196, Photonics in Multimedia, 61960P (Apr. 21, 2006); doi: 10.1117/12.663084; <https://doi.org/10.1117/12.663084>, 11 pages.

Van Giel, B. V. et al., "Design of axisymmetrical tailored concentrators for LED light source applications", Proc. SPIE 6196, Photonics in Multimedia, 619603 (Apr. 21, 2006); doi: 10.1117/12.660115; <https://doi.org/10.1117/12.660115>, 11 pages.

Zhen, Y. et al., "The optimal design of TIR lens for improving LED illumination uniformity and efficiency", Proc. SPIE 6834, Optical Design and Testing III, 68342K (Nov. 28, 2007); doi: 10.1117/12.756101, 9 pages.

Zou, H. et al., "58.1: Single-Panel LCOS Color Projector with LED Light Sources", SID Symposium, vol. 36, Issue 1, 4 pages. (May 2005).

Non-Final Office Action dated May 16, 2018 for U.S. Appl. No. 15/132,875, 18 pages.

Notice of Allowance dated May 10, 2018 from U.S. Appl. No. 14/726,064, 7 pages.

Acrich COB Zhaga Module, Product Description, Seoul Semiconductor, Nov. 2016, 39 pages

<<https://www.zhagastandard.org/books/book18/>>, Mar. 2017, 5 pages.

Notice of Allowance dated Mar. 26, 2018 for U.S. Appl. No. 14/184,601, 10 pages.

2006 International Building Code, Section 712 Penetrations, 2006, 4 pages.

BXUV.GuideInfo, Fire Resistance Ratings—ANSI/UL 263, UL Online Certifications Directory, last updated Nov. 3, 2016, 27 pages. CEYY.Guideinfo, Outlet Boxes and Fittings Certified for Fire Resistance, UL Online Certifications Directory, last updated May 16, 2013, 2 pages.

Canadian Office Action dated Dec. 23, 2013 from Canadian Application No. 2,778,581, 3 pages.

Canadian Office Action dated Mar. 22, 2016 from Canadian Application No. 2,879,629, 4 pages.

Canadian Office Action dated Dec. 6, 2016 from Canadian Application No. 2,879,629, 3 pages.

Canadian Office Action dated Mar. 9, 2017 from Canadian Application No. 2,931,588, 5 pages.

Canadian Office Action dated Feb. 1, 2016 from Canadian Application No. 2,879,486, 5 pages.

Canadian Office Action dated Jun. 12, 2017 from Canadian Application No. 2,927,601, 4 pages.

Canadian Office Action dated Aug. 11, 2017 from Canadian Application No. 2,941,051, 4 pages.

DME Series Installation Instructions, Oct. 18, 2011, 2 pages.

DMF, Inc., "dmfLIGHTING: LED Recessed Lighting Solutions," Info sheets, Mar. 19, 2012, 4 pages.

DMF, Inc., "dmfLIGHTING: LED Recessed Downlighting," DRD2 Product Brochure, Oct. 23, 2014, 50 pages.

DMF, Inc., "dmfLIGHTING: LED Recessed Downlighting," Product Catalog, Aug. 2012, 68 pages.

Final Office Action dated Apr. 27, 2016 from U.S. Appl. No. 14/184,601, 19 pages.

Final Office Action dated Jul. 26, 2017 from U.S. Appl. No. 14/184,601, 18 pages.

Final Office Action dated Jan. 29, 2016 from U.S. Appl. No. 14/183,424, 21 pages.

Final Office Action dated Jun. 23, 2016 from U.S. Appl. No. 13/484,901, 18 pages.

Final Office Action dated Apr. 2, 2015 from U.S. Appl. No. 13/484,901, 13 pages.

Halo, Halo LED H4 H7 Collection, SustainableDesign, Cooper Lighting, (emphasis on p. 18 "H7 Collection LED Modules—Halo LED H7 Module Features.") Mar. 28, 2012, 52 pages.

Halo, H7 LED Downlight Trims 49x Series, 6-inch LED Trims for Use with 107x LED Modules, Cooper Lighting, ADV110422, rev. Aug. 12, 2011, 15 pages.

Halo, LED Module ML706x, Cooper Lighting, General Installation for All Modules/p. 1; Tether Installation/pp. 2-3; Installation into Halo H750x Series LED—only (Non-Screw Based), Recessed Fixture, p. 4, Oct. 20, 20019, 4 pages.

"Membrane Penetrations in Fire-Resistance Rated Walls," https://www.ul.com/wp-content/uploads/2014/04/u1_MembranePenetrations.pdf, Issue 1: 2009, 2 pages.

"Metallic Outlet Boxes," UL 514A, Underwriters Laboratories, Inc., Feb. 16, 2004 (Title Page Reprinted Aug. 10, 2007), 106 pages.

"Metallic and Non-metallic Outlet Boxes Used in Fire-rated Assembly," <https://iaeimagazine.org/magazine/2000/09/16/metallic-and-non-metallic-outlet-boxes-used-in-fire-rated-assembly/>, Sep. 16, 2000, 5 pages.

(56)

References Cited

OTHER PUBLICATIONS

Non-Final Office Action dated Mar. 15, 2010 from U.S. Appl. No. 12/100,148, 8 pages.
Non-Final Office Action dated Apr. 30, 2010 from U.S. Appl. No. 12/173,232, 13 pages.
Non-Final Office Action dated Sep. 5, 2014 from U.S. Appl. No. 13/791,087, 8 pages.
Non-Final Office Action dated Jul. 20, 2015 from U.S. Appl. No. 14/184,601, 16 pages.
Non-Final Office Action dated Dec. 15, 2016 from U.S. Appl. No. 14/184,601, 18 pages.
Non-Final Office Action dated Feb. 6, 2018 from U.S. Appl. No. 15/167,682, 9 pages.
Non-Final Office Action dated Sep. 16, 2015 from U.S. Appl. No. 13/484,901, 16 pages.
Non-Final Office Action dated Oct. 16, 2014 from U.S. Appl. No. 13/484,901, 11 pages.

Non-Final Office Action dated Sep. 6, 2017 from U.S. Appl. No. 14/726,064, 8 pages.
Non-Final Office Action dated May 17, 2017 from U.S. Appl. No. 14/183,424, 20 pages.
Non-Final Office Action dated Jun. 2, 2015 from U.S. Appl. No. 14/183,424, 20 pages.
Notice of Allowance dated Jan. 30, 2015 from U.S. Appl. No. 13/791,087, 9 pages.
Notice of Allowance dated Jan. 16, 2015 from U.S. Appl. No. 29/467,026, 9 pages.
Notice of Allowance dated Oct. 21, 2016 from U.S. Appl. No. 13/484,901, 7 pages.
Notice of Allowance dated Mar. 24, 2016 from U.S. Appl. No. 14/247,149, 8 pages.
Notice of Allowance dated Aug. 23, 2017 from Canadian Application No. 2,879,629, 1 page.
“Outlet Boxes for Use in Fire Rated Assemblies,” https://www.ul.com/wp-content/uploads/2014/04/UI_outletboxes.pdf, 2011, 2 pages.

* cited by examiner

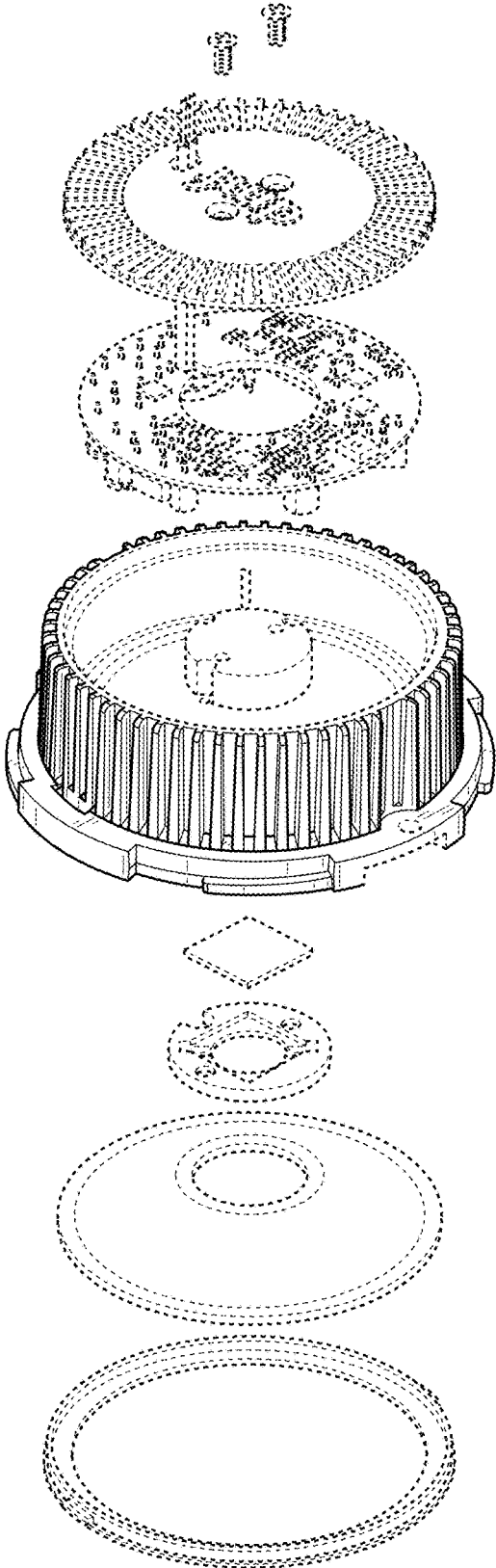


FIG. 1

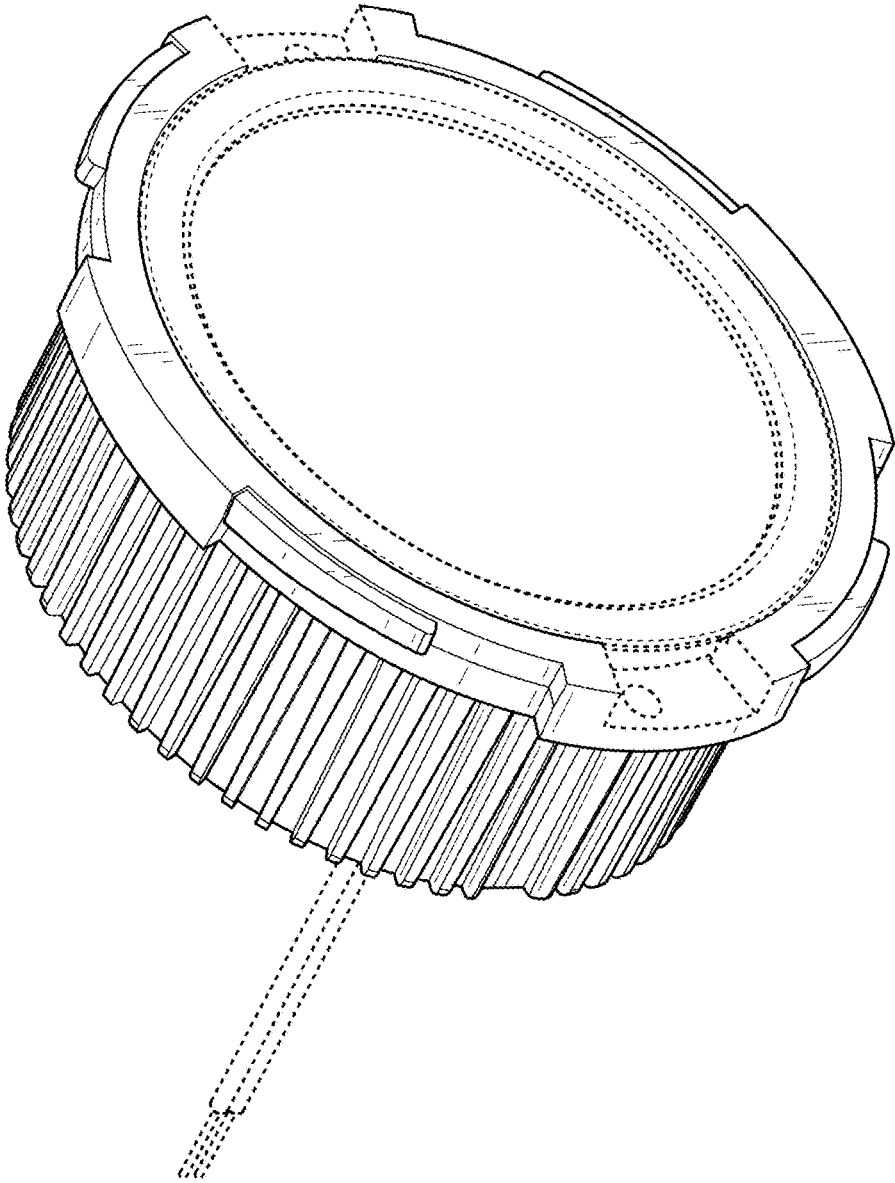


FIG. 2