



US00D610994S

(12) **United States Design Patent**
Fahrendorff et al.

(10) **Patent No.:** **US D610,994 S**
(45) **Date of Patent:** **** Mar. 2, 2010**

(54) **PLUG**

(75) Inventors: **Anders Fahrendorff**, Ottawa (CA);
Todd Andrew Wood, Guelph (CA); **Ian James Murchison**, Ottawa (CA); **Dustin Jonathan Smith**, Kitchener (CA)

(73) Assignee: **Research In Motion Limited**, Waterloo (CA)

(**) Term: **14 Years**

(21) Appl. No.: **29/339,350**

(22) Filed: **Jun. 29, 2009**

(51) **LOC (9) Cl.** **13-03**

(52) **U.S. Cl.** **D13/138.1**

(58) **Field of Classification Search** D13/138.1,
D13/138.2, 139.1, 139.2, 139.3, 139.4, 139.5,
D13/139.6, 139.7, 139.8, 137.1, 137.2, 137.3,
D13/137.4, 133, 107, 108, 110, 123, 146,
D13/147, 149, 151, 154; D14/240, 256,
D14/217, 433; 174/494, 67, 202, 206, 53,
174/59; 439/35, 222, 249, 919, 909, 171,
439/518, 956, 105, 53, 63, 106, 136, 149,
439/266, 300, 373, 654, 660, 907; 320/111,
320/114; 363/146

See application file for complete search history.

(56) **References Cited**

U.S. PATENT DOCUMENTS

D308,044	S	*	5/1990	Chandler	D13/110
D381,627	S	*	7/1997	Muller et al.	D13/137.2
D408,786	S	*	4/1999	Goto	D13/138.1
6,328,581	B1	*	12/2001	Lee et al.	439/106
D461,165	S	*	8/2002	Eyman	D13/137.1

6,544,051	B1	*	4/2003	Su	439/131
D526,272	S	*	8/2006	Sade et al.	D13/108
D552,036	S	*	10/2007	Holland	D13/138.1
D556,138	S	*	11/2007	Ng	D13/138.1
D573,946	S	*	7/2008	Ledbetter et al.	D13/110
D587,192	S	*	2/2009	McGinley et al.	D13/110
2002/0154528	A1	*	10/2002	Ravid	363/146
2005/0269987	A1	*	12/2005	Lin	320/115
2009/0029581	A1	*	1/2009	Klant et al.	439/222

OTHER PUBLICATIONS

RIM BlackBerry charger adapter clips, Apr. 5, 2007, http://reviews.cnet.com/cell-phone-and-smart/rim-blackberry-charger-adapter/4505-6448_7-32400609.html, viewed on Dec. 9, 2009.*

* cited by examiner

Primary Examiner—Jennifer Rivard

Assistant Examiner—Angela J Lee

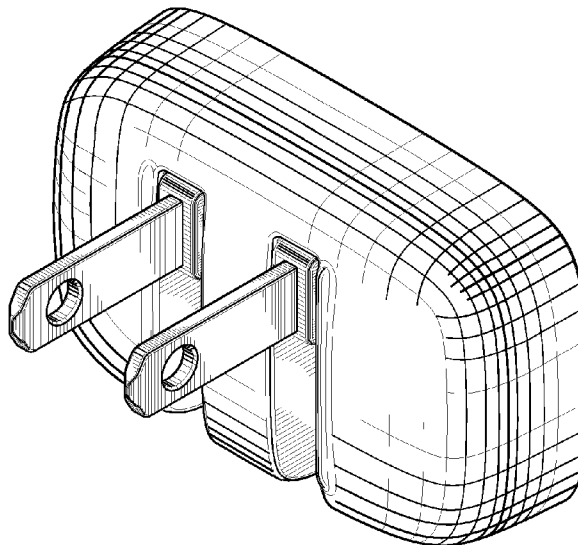
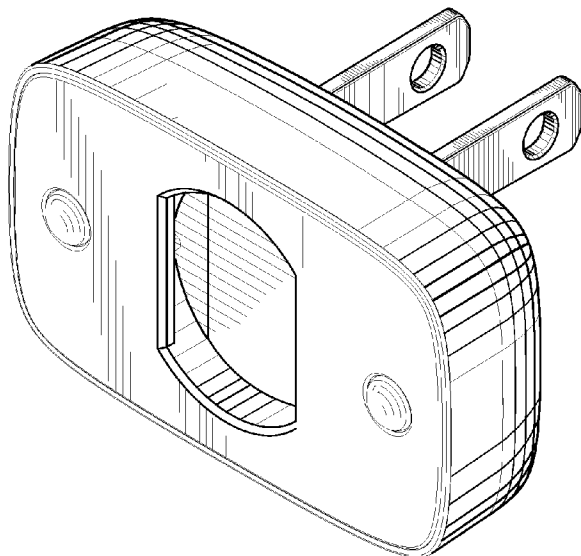
(57) **CLAIM**

We claim the ornamental design for a plug, as shown and described.

DESCRIPTION

FIG. 1 is a front perspective view of a plug;
FIG. 2 is a back perspective view of the plug;
FIG. 3 is a top plan view thereof;
FIG. 4 is a bottom plan view thereof;
FIG. 5 is a left elevational view thereof;
FIG. 6 is a right elevational view thereof;
FIG. 7 is a back plan view thereof; and,
FIG. 8 is a front plan view thereof.

1 Claim, 4 Drawing Sheets



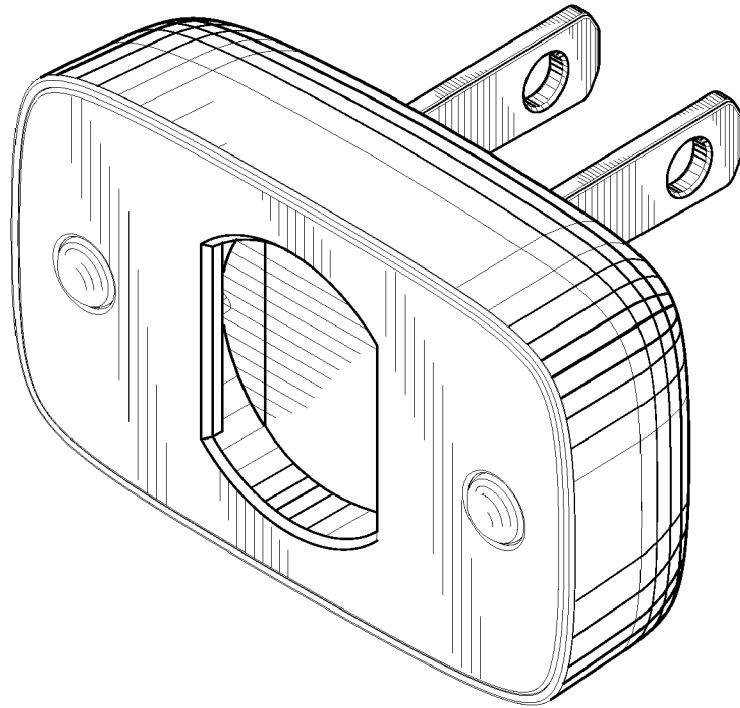


FIG. 1

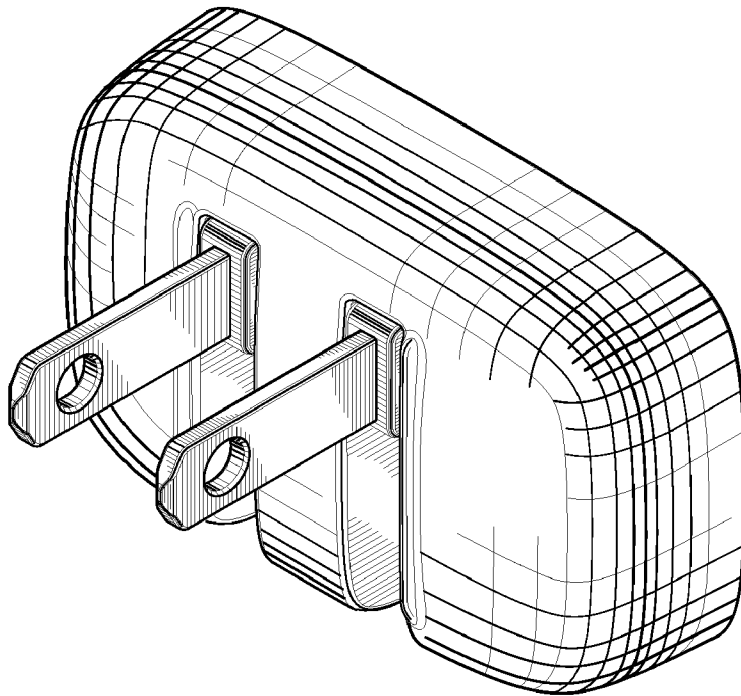


FIG. 2

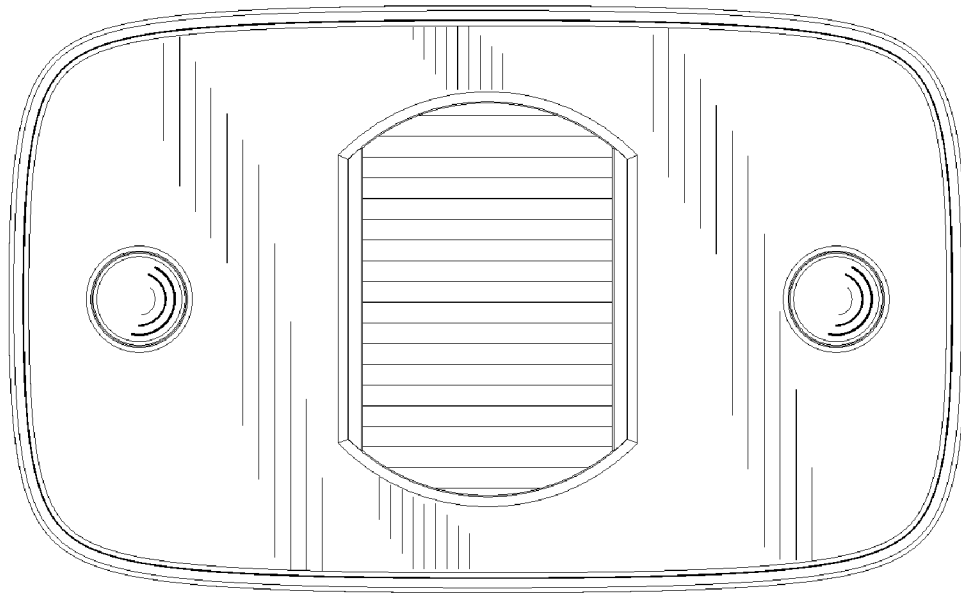


FIG.3

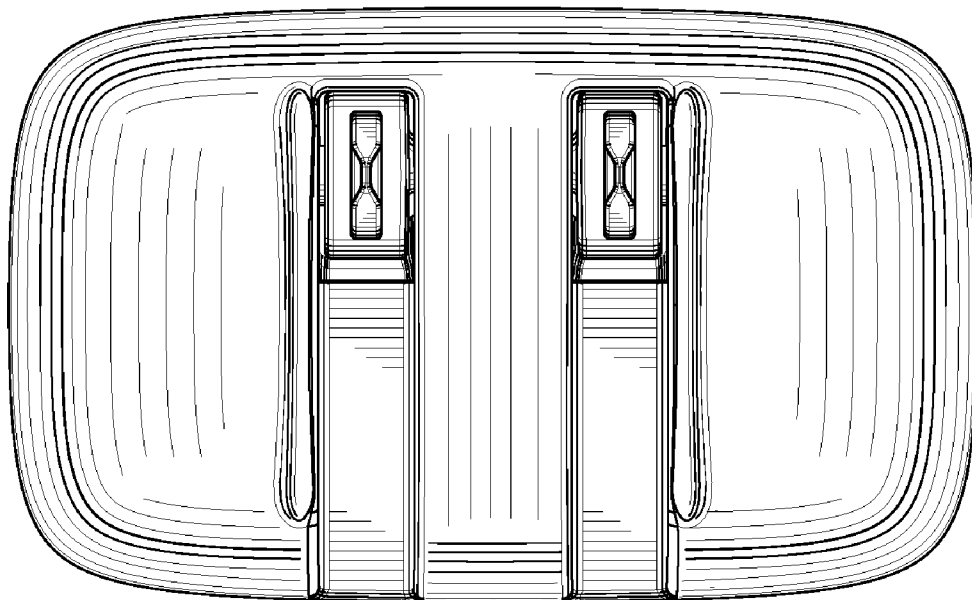


FIG.4

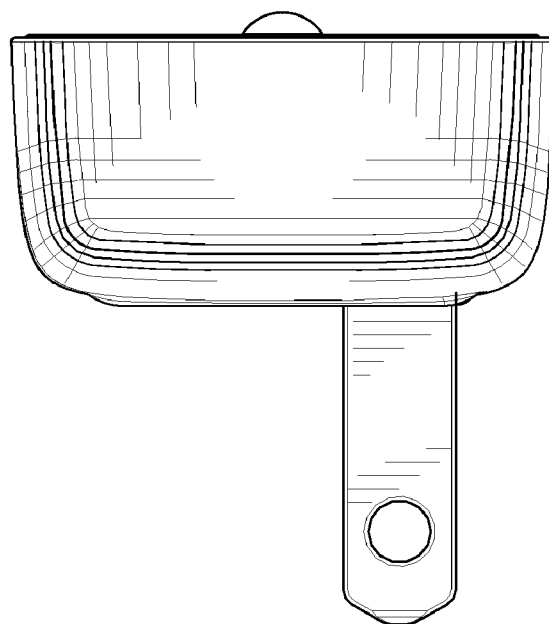


FIG.5

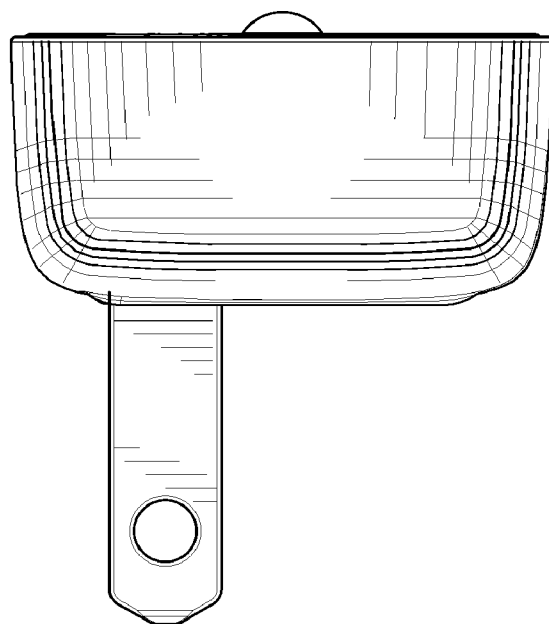


FIG.6

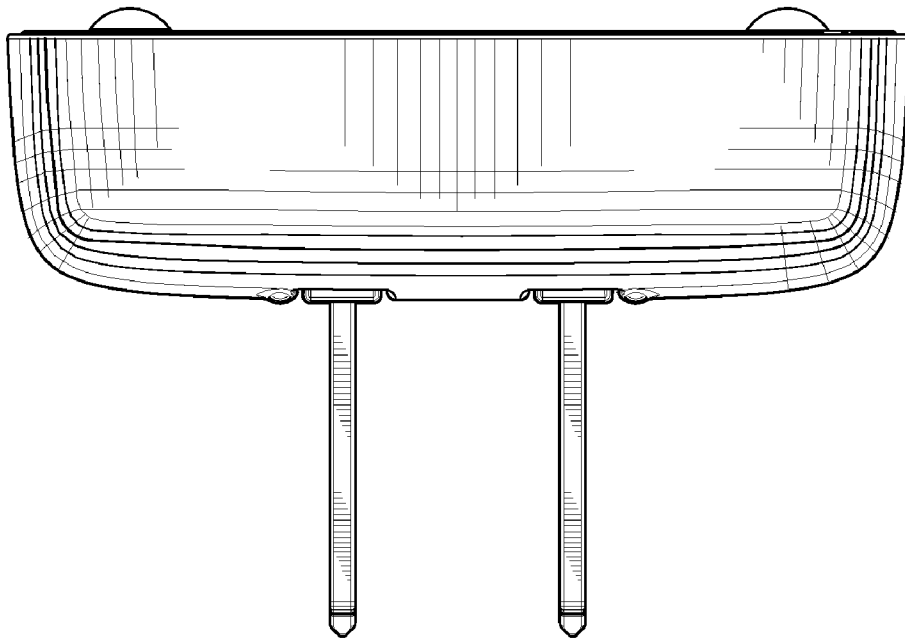


FIG. 7

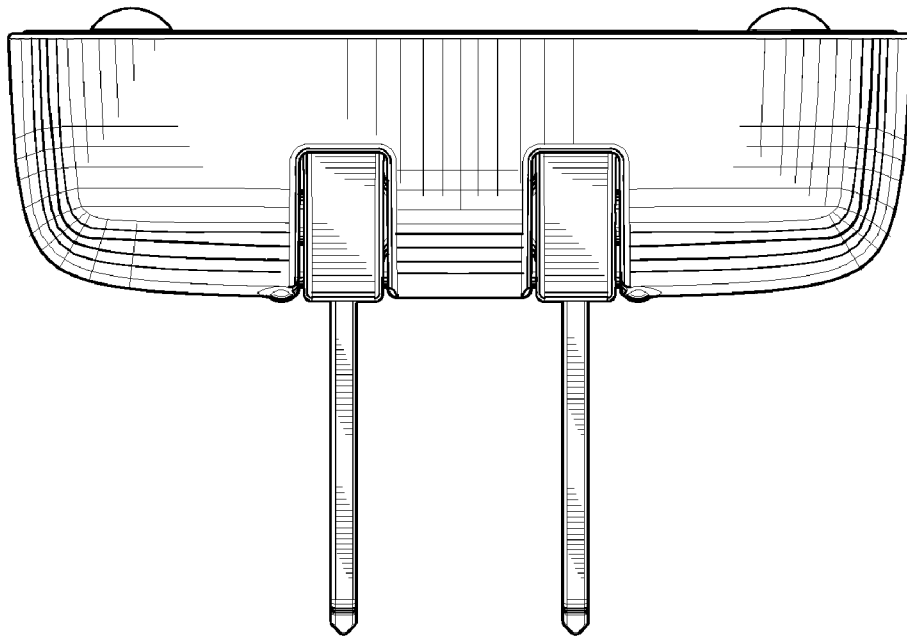


FIG. 8