

CORRECTED VERSION

(19) World Intellectual Property Organization
International Bureau



(43) International Publication Date
2 September 2004 (02.09.2004)

PCT

(10) International Publication Number
WO 2004/073777 A8

(51) International Patent Classification:
A61M 16/06 (2006.01)

(21) International Application Number:
PCT/AU2004/000206

(22) International Filing Date:
20 February 2004 (20.02.2004)

(25) Filing Language: English

(26) Publication Language: English

(30) Priority Data:
60/448,533 21 February 2003 (21.02.2003) US
60/465,790 28 April 2003 (28.04.2003) US

(71) Applicant (for all designated States except US):
RESMED LIMITED [AU/AU]; 97 Waterloo Road,
North Ryde, NSW 2113 (AU).

(72) Inventors; and

(75) Inventors/Applicants (for US only): GING, Anthony,
Michael [AU/AU]; Unit 5/15 Dover Street, Summer Hill,
NSW 2130 (AU). KWOK, Philip, Rodney [AU/AU]; 15
Davies Street, Chatswood NSW 2067 (AU). ROBIN-
SON, Gary, Christopher [AU/AU]; 18 Kanowar Av-

enue, East Killara, NSW 2071 (AU). MOORE, Rachael
[AU/AU]; 6/136 Hastings Parade, North Bondi, Sydney,
NSW 2026 (AU). SANTOSO, Bianto [ID/AU]; 15 Far-
rell Road, Kingsgrove, NSW 2208 (AU). MCAULIFFE,
Patrick, John [AU/AU]; Unit 78/47 Neridah Street,
Chatswood NSW 2067 (AU).

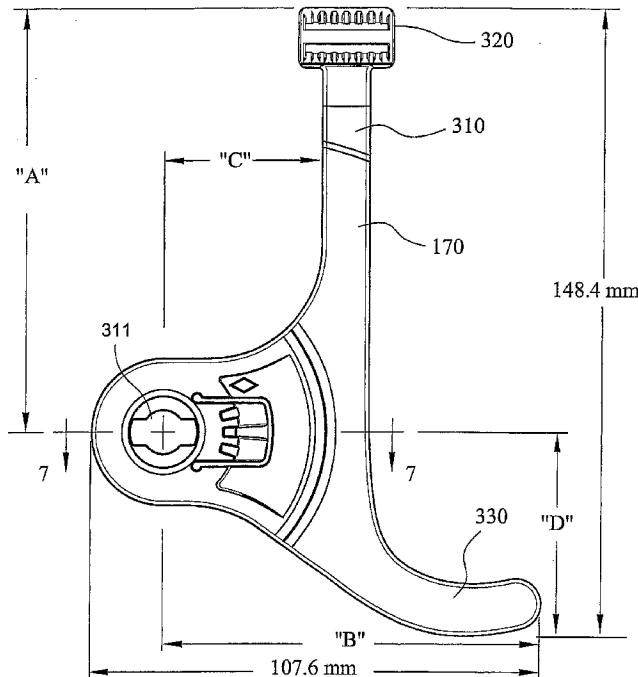
(74) Agents: DAVIDSON, Geoffrey, Robert et al.; Halford &
Co, 1 Market Street, Sydney, NSW 2000 (AU).

(81) Designated States (unless otherwise indicated, for every
kind of national protection available): AE, AG, AL, AM,
AT, AU, AZ, BA, BB, BG, BR, BW, BY, BZ, CA, CH,
CN, CO, CR, CU, CZ, DE, DK, DM, DZ, EC, EE, EG,
ES, FI, GB, GD, GE, GH, GM, HR, HU, ID, IL, IN, IS,
JP, KE, KG, KP, KR, KZ, LC, LK, LR, LS, LT, LU, LV,
MA, MD, MG, MK, MN, MW, MX, MZ, NA, NI, NO,
NZ, OM, PG, PH, PL, PT, RO, RU, SC, SD, SE, SG, SK,
SL, SY, TJ, TM, TN, TR, TT, TZ, UA, UG, US, UZ, VC,
VN, YU, ZA, ZM, ZW.

(84) Designated States (unless otherwise indicated, for every
kind of regional protection available): ARIPO (BW, GH,
GM, KE, LS, MW, MZ, SD, SL, SZ, TZ, UG, ZM, ZW),
Eurasian (AM, AZ, BY, KG, KZ, MD, RU, TJ, TM), Eu-

[Continued on next page]

(54) Title: NASAL MASK ASSEMBLY



(57) Abstract: A mask system is provided to fit pre-adult
patients, or patients having facial features that are very
small or child-like, e.g., patients having dimensions in the
lower 5%10% of the population. For example, the head-
gear and/or cushion are dimensioned to accommodate this
range of patients.

WO 2004/073777 A8



ropean (AT, BE, BG, CH, CY, CZ, DE, DK, EE, ES, FI,
FR, GB, GR, HU, IE, IT, LU, MC, NL, PT, RO, SE, SI,
SK, TR), OAPI (BF, BJ, CF, CG, CI, CM, GA, GN, GQ,
GW, ML, MR, NE, SN, TD, TG).

(48) Date of publication of this corrected version:

10 May 2012

(15) Information about Correction:

see Notice of 10 May 2012

Published:

— with international search report (Art. 21(3))