



US00D989602S

(12) **United States Design Patent**  
**Murauer**

(10) **Patent No.:** **US D989,602 S**

(45) **Date of Patent:** **\*\* Jun. 20, 2023**

- (54) **FLAT HINGE**
- (71) Applicant: **Brolock Pty Ltd**, New South Wales (AU)
- (72) Inventor: **Michael Josef Murauer**, New South Wales (AU)
- (73) Assignee: **Brolock Pty Ltd.**, New South Wales (AU)
- (\*\*) Term: **15 Years**
- (21) Appl. No.: **29/757,740**
- (22) Filed: **Nov. 9, 2020**

6,721,992	B2 *	4/2004	Cotton	.....	E05D 11/0054	16/250
D584,130	S *	1/2009	Bertani	.....	D8/328	
D635,433	S *	4/2011	Le	.....	D8/327	
D649,009	S *	11/2011	Caffin	.....	D8/323	
8,151,414	B2 *	4/2012	Baudasse	.....	B64G 1/222	16/227
D661,173	S *	6/2012	Caffin	.....	D8/323	
D673,024	S *	12/2012	Caffin	.....	D8/323	
D719,009	S *	12/2014	Russo	.....	D8/323	
D719,011	S *	12/2014	Russo	.....	D8/323	
D747,949	S *	1/2016	Lindo	.....	D8/323	
D842,679	S *	3/2019	Todd, Jr.	.....	D8/323	
D859,127	S *	9/2019	Todd, Jr.	.....	D8/323	
10,641,025	B2 *	5/2020	Stuart	.....	E05F 3/20	
D919,407	S *	5/2021	Lindo	.....	D8/323	
D934,656	S *	11/2021	Cosby	.....	D8/323	
D947,647	S *	4/2022	Cosby	.....	D8/323	
D947,648	S *	4/2022	Cosby	.....	D8/323	

(30) **Foreign Application Priority Data**

May 11, 2020 (AU) ..... 202012688

(51) **LOC (14) Cl.** ..... **08-06**

(52) **U.S. Cl.**  
USPC ..... **D8/323**

(58) **Field of Classification Search**  
USPC .... D8/323, 325, 327, 329, 336; 16/241, 366  
CPC ..... E05D 11/1014; E05D 3/186; E05D 7/04  
See application file for complete search history.

(56) **References Cited**

**U.S. PATENT DOCUMENTS**

4,163,303	A *	8/1979	Hanna	.....	E05D 1/02	24/444
4,630,333	A *	12/1986	Vickers	.....	E05D 11/082	16/338
5,412,842	A *	5/1995	Riblett	.....	E05D 11/1064	16/322
5,765,263	A *	6/1998	Bolinas	.....	E05D 11/105	16/342
D436,515	S *	1/2001	Sonntag	.....	D8/328	

\* cited by examiner

*Primary Examiner* — Cynthia R Underwood  
(74) *Attorney, Agent, or Firm* — Greenberg Traurig, LLP

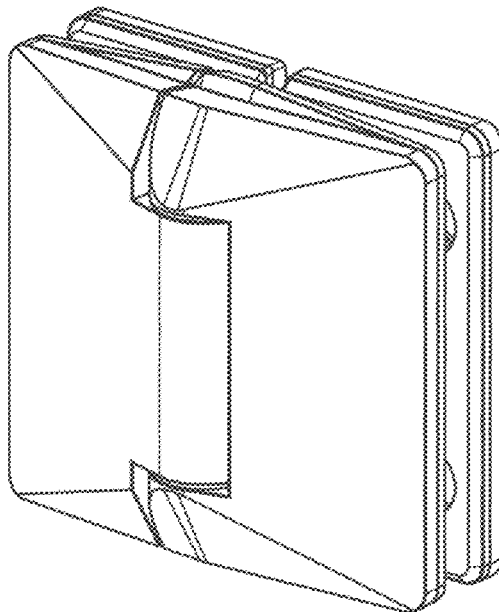
(57) **CLAIM**

The ornamental design for a flat hinge, as shown and described.

**DESCRIPTION**

FIG. 1 is a top, right, front perspective view of a flat hinge showing my new design;  
FIG. 2 is a top, right, rear perspective view thereof;  
FIG. 3 is front side elevational view thereof;  
FIG. 4 is a rear side elevational view thereof;  
FIG. 5 is a right side elevational view thereof;  
FIG. 6 is a left side elevational view thereof;  
FIG. 7 is a bottom plan view thereof; and,  
FIG. 8 is a top plan view thereof.

**1 Claim, 8 Drawing Sheets**



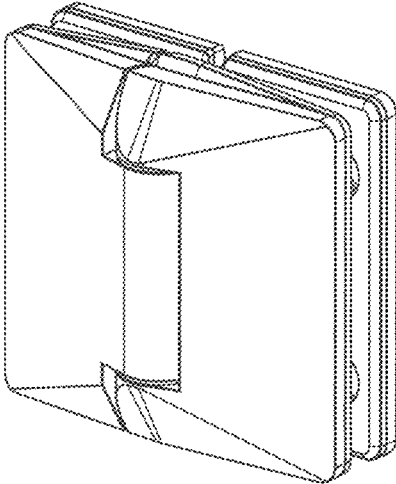


FIG. 1

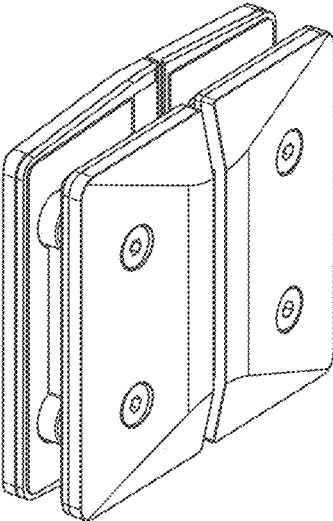


FIG. 2

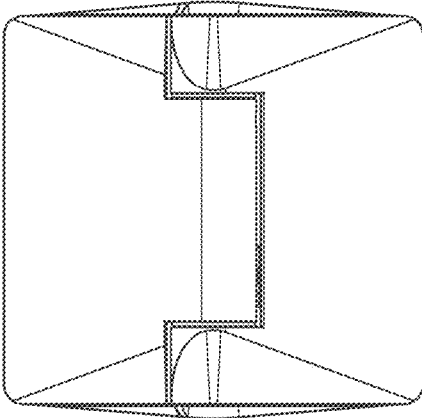


FIG. 3

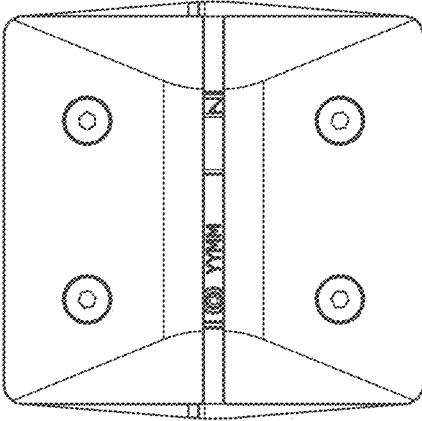


FIG. 4

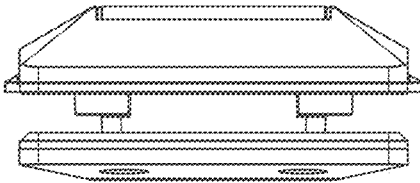


FIG. 5

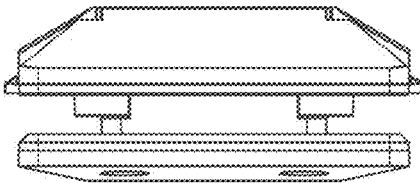


FIG. 6

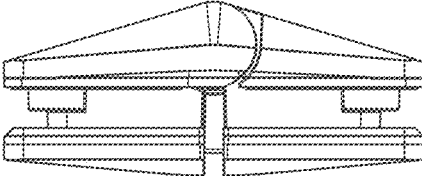


FIG. 7



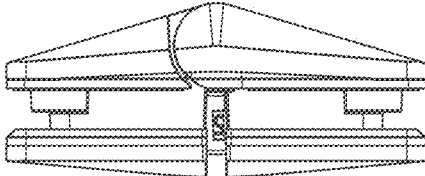


FIG. 8