



US00D752443S

(12) **United States Design Patent**
Schlies et al.

(10) **Patent No.:** **US D752,443 S**

(45) **Date of Patent:** **** Mar. 29, 2016**

- (54) **BOTTLE**
- (71) Applicant: **Graham Packaging Company, L.P.**,
York, PA (US)
- (72) Inventors: **Anthony J. Schlies**, York, PA (US);
Sheldon E. Yourist, York, PA (US)
- (73) Assignee: **Graham Packaging Company, L.P.**,
York, PA (US)
- (**) Term: **14 Years**
- (21) Appl. No.: **29/476,149**
- (22) Filed: **Dec. 11, 2013**
- (51) **LOC (10) Cl.** **09-01**
- (52) **U.S. Cl.**
USPC **D9/530; D9/569; D9/571**
- (58) **Field of Classification Search**
USPC D3/202, 202.3, 901; D7/300.1,
D7/509-511, 523, 589, 612; D9/432, 500,
D9/516, 522, 523, 529, 530, 542, 550, 551,
D9/556, 560, 571, 565, 566, 570, 574;
D19/93; D23/211.1-211.2; D24/121,
D24/124, 197, 224; 215/209, 252, 42;
206/524.6; 222/206; 426/115
CPC A61J 1/03; A61J 1/05; B65D 1/02;
B65D 1/0223; B65D 1/09; B65D 1/10;
A47G 19/22; A47G 19/2205
See application file for complete search history.

| | | | |
|-------------------|---------|-----------------------|-----------|
| D322,213 S * | 12/1991 | Maginnis, Jr. | D9/602 |
| D413,265 S * | 8/1999 | Hestehave et al. | D9/541 |
| D467,809 S * | 12/2002 | Pouillot et al. | D9/523 |
| D547,665 S * | 7/2007 | Lepoitevin | D9/541 |
| D598,772 S * | 8/2009 | Yourist et al. | D9/541 |
| D623,530 S * | 9/2010 | Ungrady et al. | D9/538 |
| D652,731 S * | 1/2012 | Pritchett et al. | D9/538 |
| D655,182 S * | 3/2012 | Kraft et al. | D9/560 |
| D691,893 S * | 10/2013 | Finlay et al. | D9/658 |
| 2012/0248003 A1 * | 10/2012 | Hunter et al. | 206/524.6 |
| 2015/0001172 A1 * | 1/2015 | Geithmann et al. | 215/42 |

* cited by examiner

Primary Examiner — Thomas Johannes

Assistant Examiner — Catherine Posthauer

(74) *Attorney, Agent, or Firm* — Baker Botts L.L.P.

(56) **References Cited**

U.S. PATENT DOCUMENTS

- D152,926 S * 3/1949 Steelman D9/522
- D178,258 S * 7/1956 North D9/541

(57) **CLAIM**

The ornamental design for a bottle, as shown and described.

DESCRIPTION

FIG. 1 is a perspective view of a bottle.
 FIG. 2 is a front view of the bottle of FIG. 1.
 FIG. 3 is a rear view of the bottle of FIG. 1.
 FIG. 4 is a left side view of the bottle of FIG. 1.
 FIG. 5 is a right side view of the bottle of FIG. 1.
 FIG. 6 is a top view of the bottle of FIG. 1; and,
 FIG. 7 is a bottom view of the bottle of FIG. 1.
 The broken lines are shown to indicate unclaimed portions of the bottle and form no part of the claimed design.

1 Claim, 7 Drawing Sheets



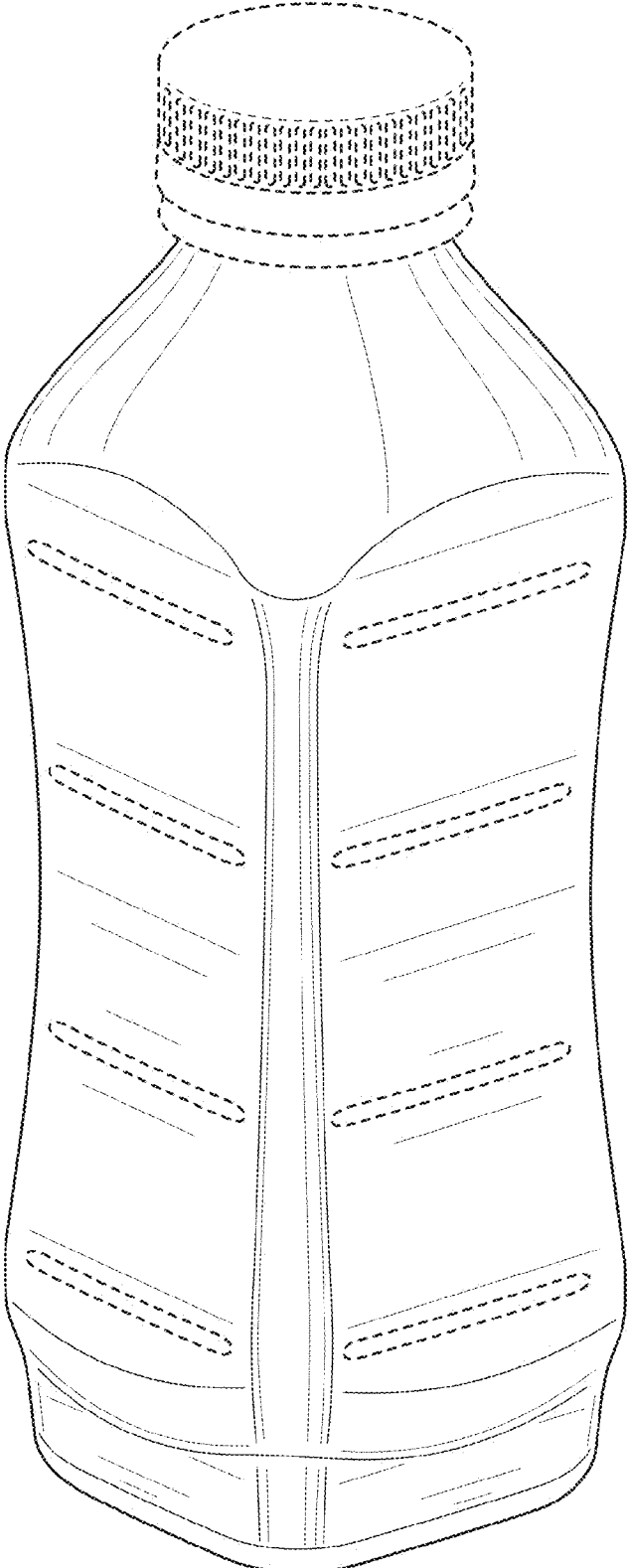


FIG. 1

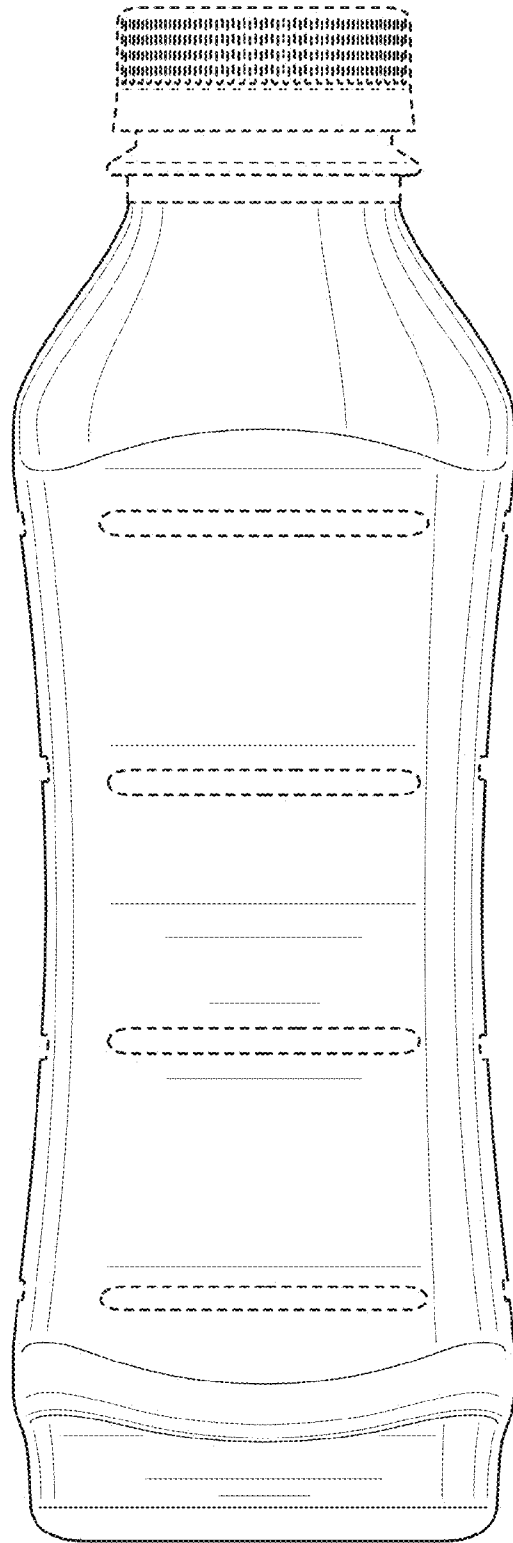


FIG. 2

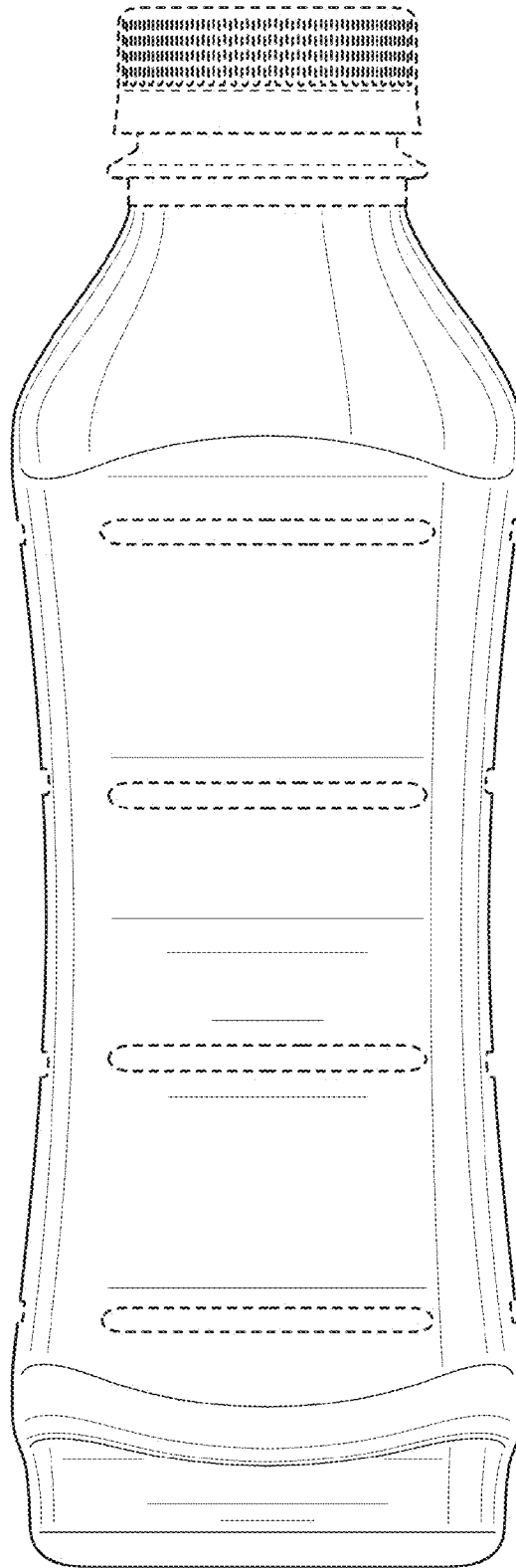


FIG. 3

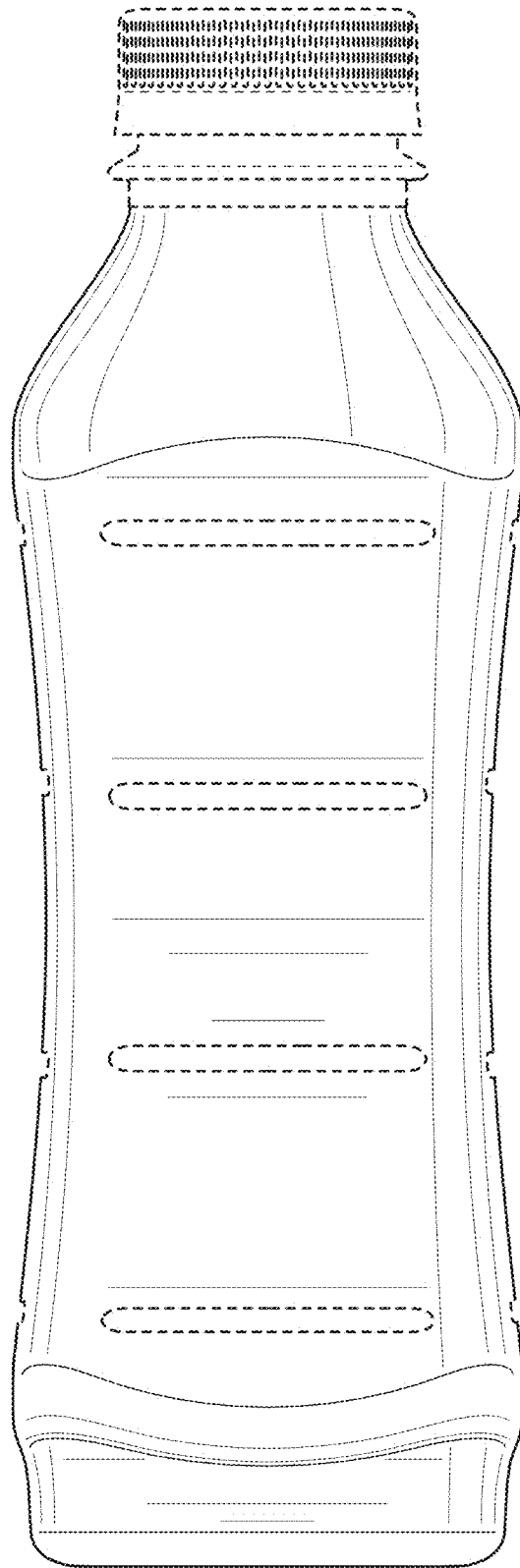


FIG. 4

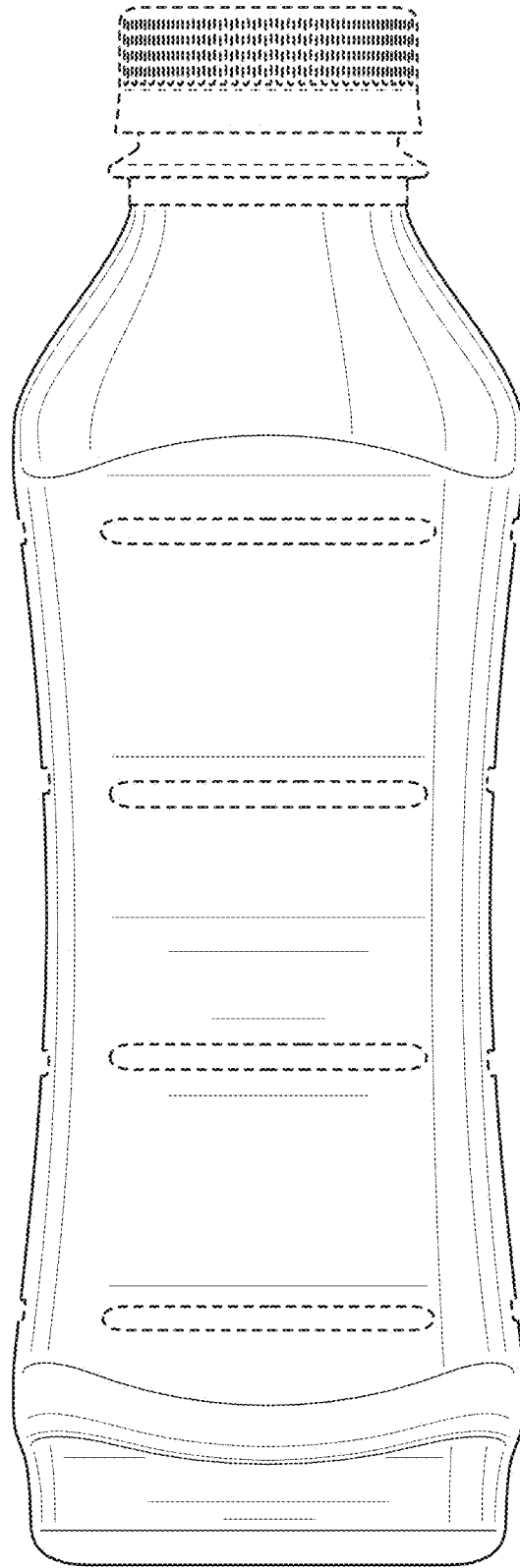


FIG. 5

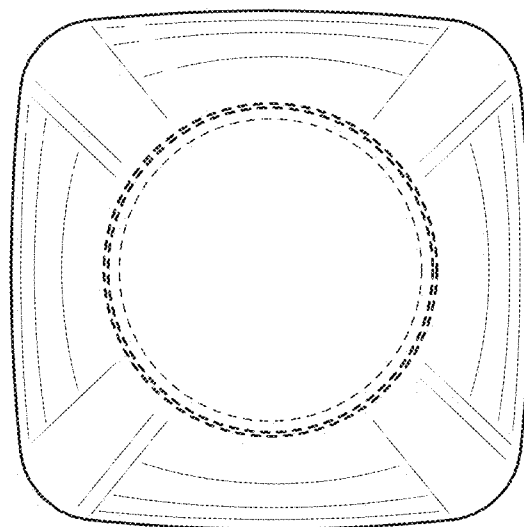


FIG. 6

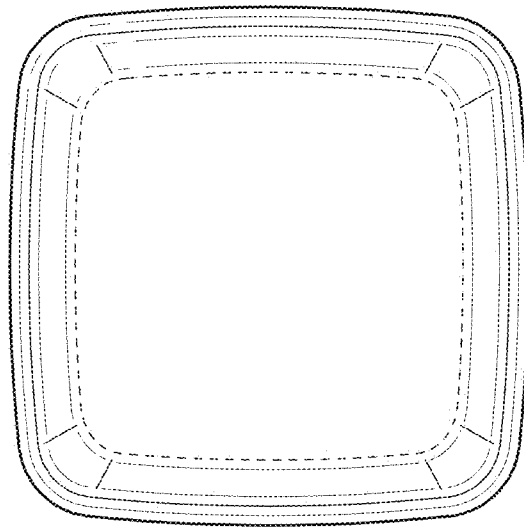


FIG. 7