



US00D502074S

(12) **United States Design Patent**
Sham et al.

(10) **Patent No.:** **US D502,074 S**

(45) **Date of Patent:** **** Feb. 22, 2005**

(54) **CIRCULAR SAW**

(75) Inventors: **Kam Lun Tailun Gates Sham, Tai Po (HK); Daniel Alex Chunn, Kowloon (HK)**

(73) Assignee: **One World Technologies Limited, Hamilton (BE)**

(**) Term: **14 Years**

(21) Appl. No.: **29/201,537**

(22) Filed: **Mar. 17, 2004**

(51) **LOC (7) Cl.** **08-03**

(52) **U.S. Cl.** **D8/66**

(58) **Field of Search** D8/61, 64, 66, D8/67, 68, 69; 30/166.3, 373, 374, 375, 376, 377, 388, 389, 390, 391; 125/13.01; 144/218

6,094,827 A	8/2000	Campbell	
D453,099 S	*	1/2002 Welsh	D8/66
D457,408 S		5/2002 Sakai et al.	
D461,695 S		8/2002 Van Wambeke et al.	
D472,126 S		3/2003 Miklosz et al.	
D475,265 S	*	6/2003 Hatch et al.	D8/66
D475,266 S	*	6/2003 Sakai et al.	D8/66
6,612,038 B2		9/2003 Onose et al.	
D486,369 S		2/2004 Keller	
D489,591 S		5/2004 Willer et al.	
2003/0047050 A1		3/2003 Onose et al.	

* cited by examiner

Primary Examiner—Joel A. Sincavage

Assistant Examiner—Elizabeth Albert

(74) *Attorney, Agent, or Firm*—Brinks Hofer Gilson & Lione

(57) **CLAIM**

The ornamental design for a circular saw, as shown and described.

(56) **References Cited**

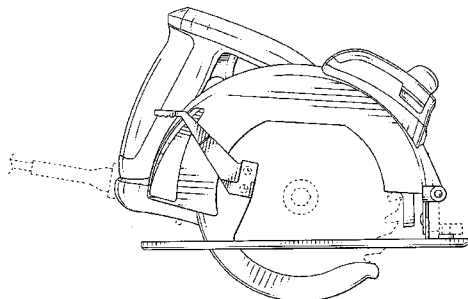
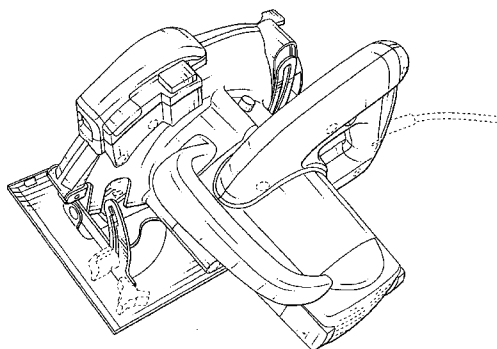
U.S. PATENT DOCUMENTS

D180,815 S	*	8/1957 Bentley	D8/66
4,787,145 A	*	11/1988 Klicker et al.	30/275.4
4,870,758 A	*	10/1989 Fushiya	30/388
4,939,843 A	*	7/1990 Rogers	30/388
D326,399 S		5/1992 Fushiya et al.	
D329,363 S		9/1992 Sasaki et al.	
5,285,708 A		2/1994 Bosten et al.	
5,361,501 A	*	11/1994 Fajnsztajn	30/391
5,433,008 A	*	7/1995 Barger et al.	30/376
5,461,790 A		10/1995 Olstowski	
D378,488 S		3/1997 Ito et al.	
6,055,734 A		5/2000 McCurry et al.	

DESCRIPTION

FIG. 1 is a top perspective view of a circular saw of the present invention;
FIG. 2 is a first side view thereof;
FIG. 3 is a second side view thereof;
FIG. 4 is a top view thereof;
FIG. 5 is a bottom view thereof;
FIG. 6 is a front view thereof; and,
FIG. 7 is a rear view thereof.
Any broken lines in the drawings are for illustrative purposes only and form no part of the claimed design.

1 Claim, 7 Drawing Sheets



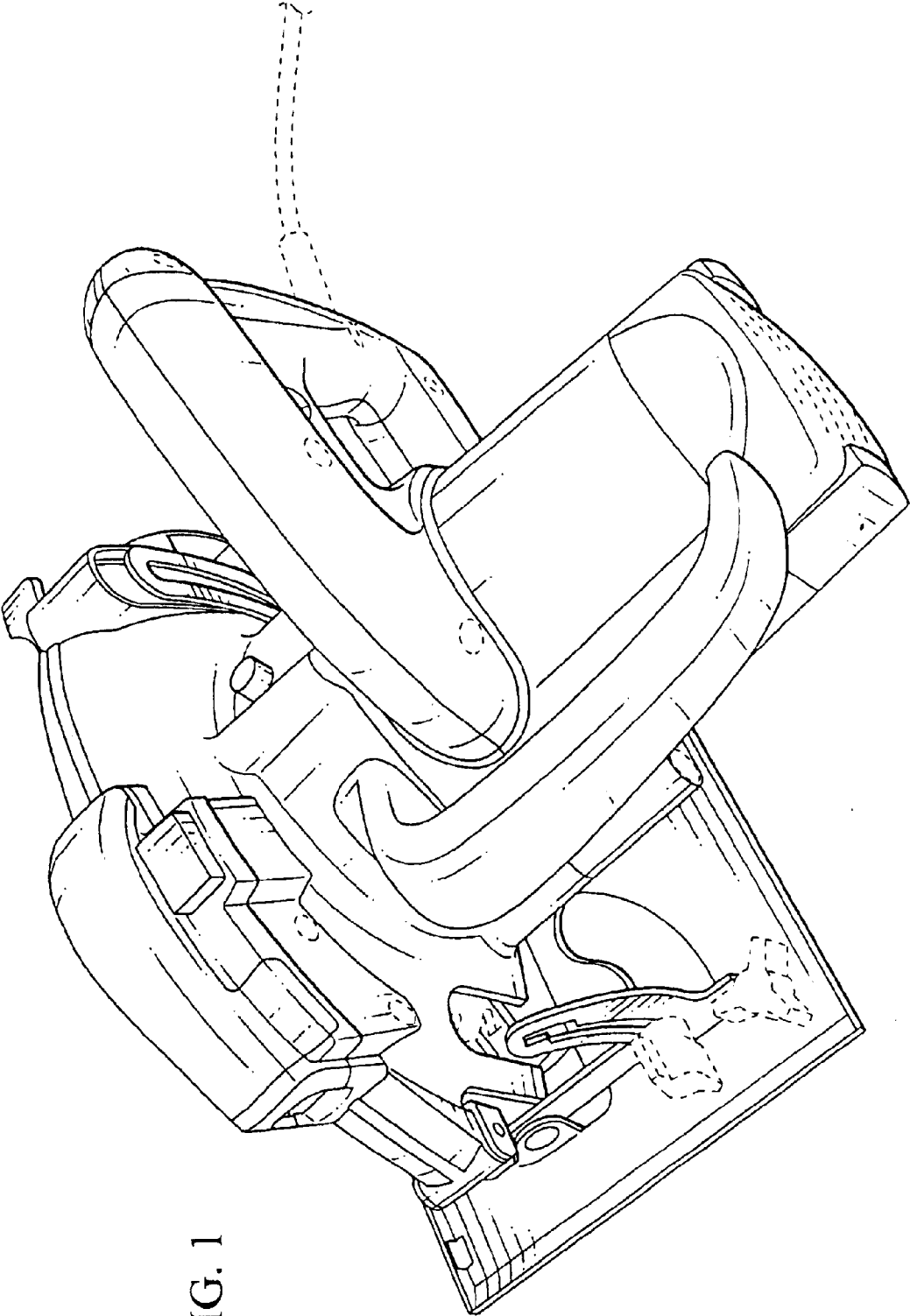


FIG. 1

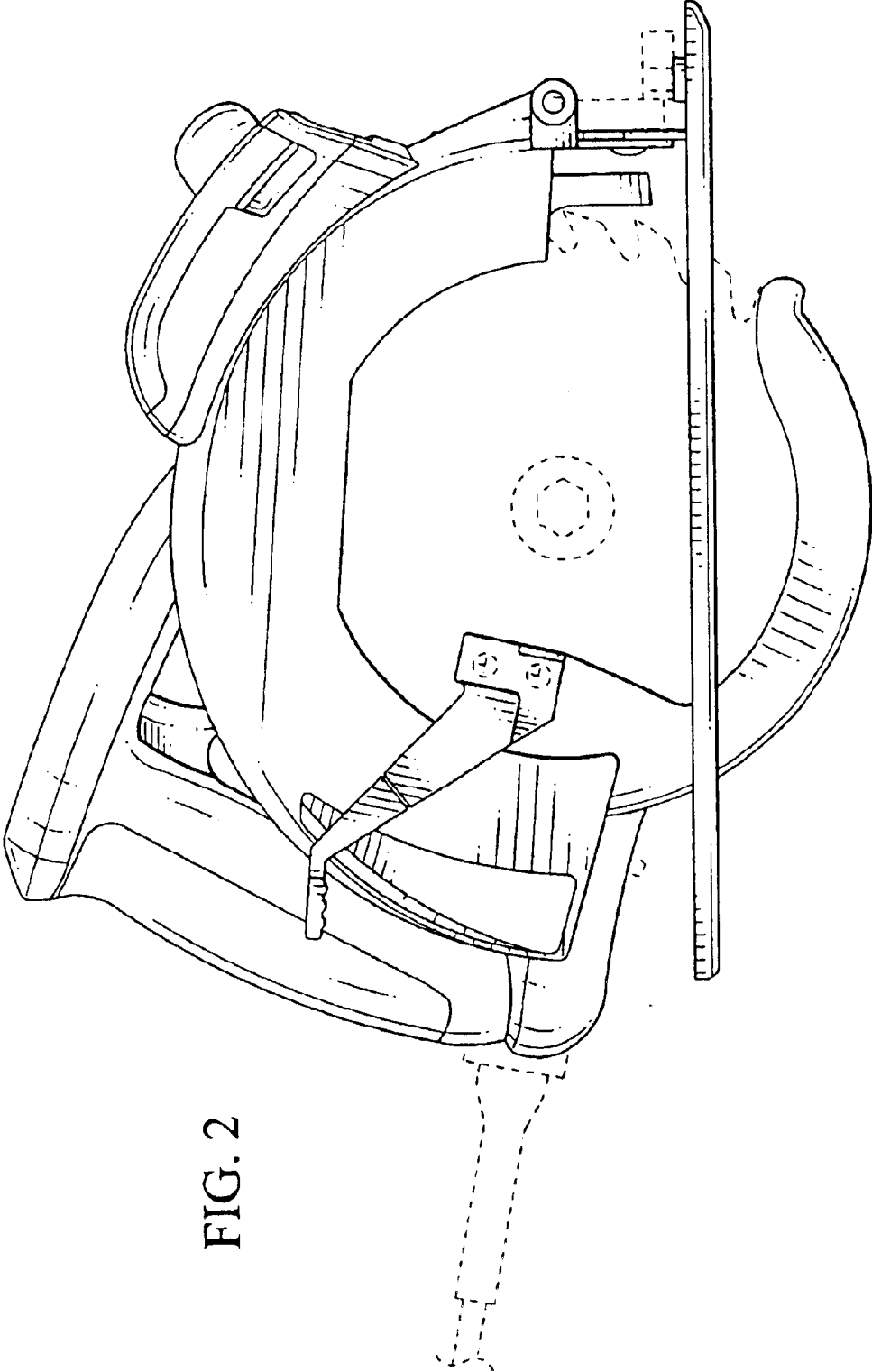
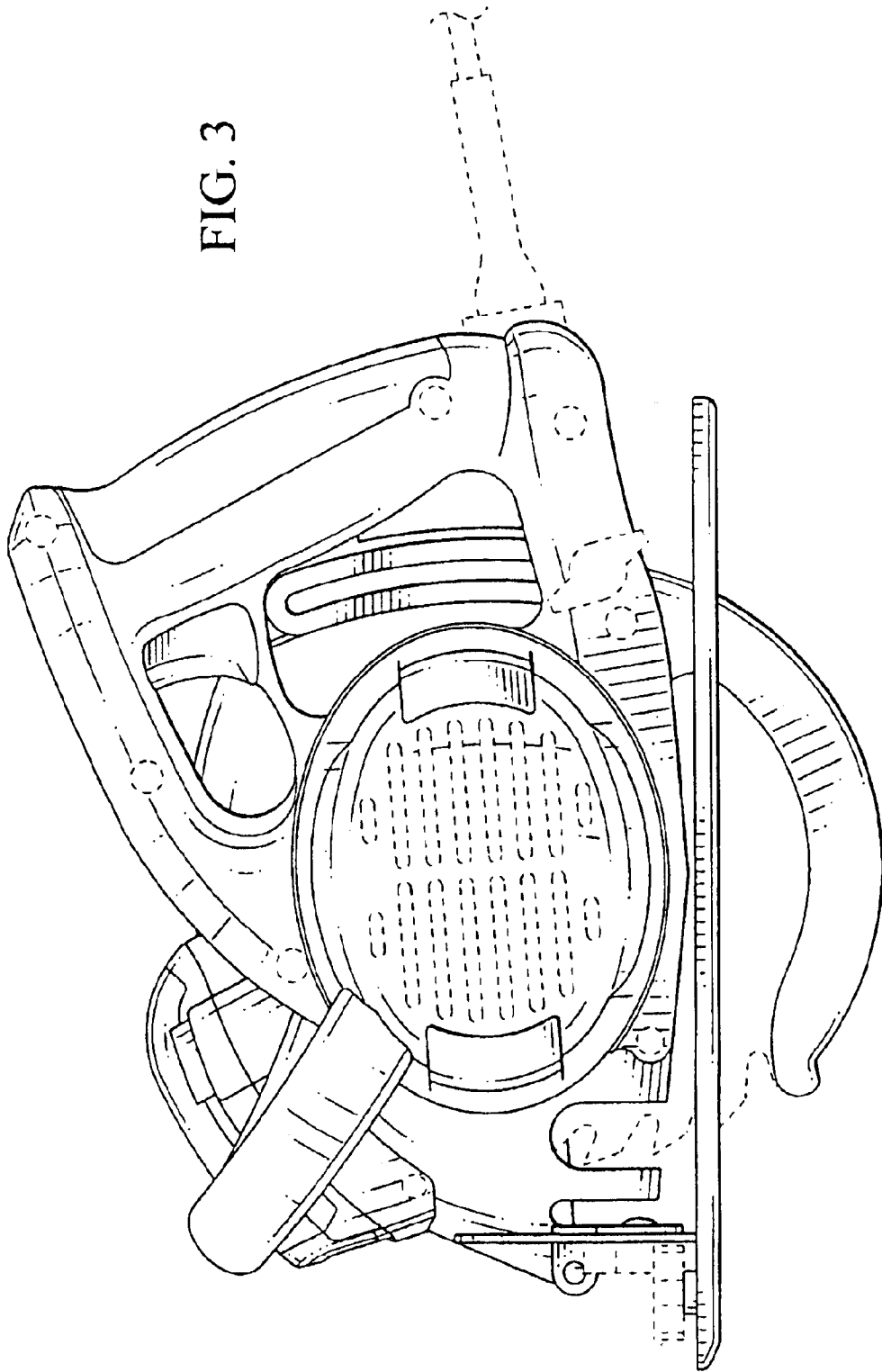


FIG. 2

FIG. 3



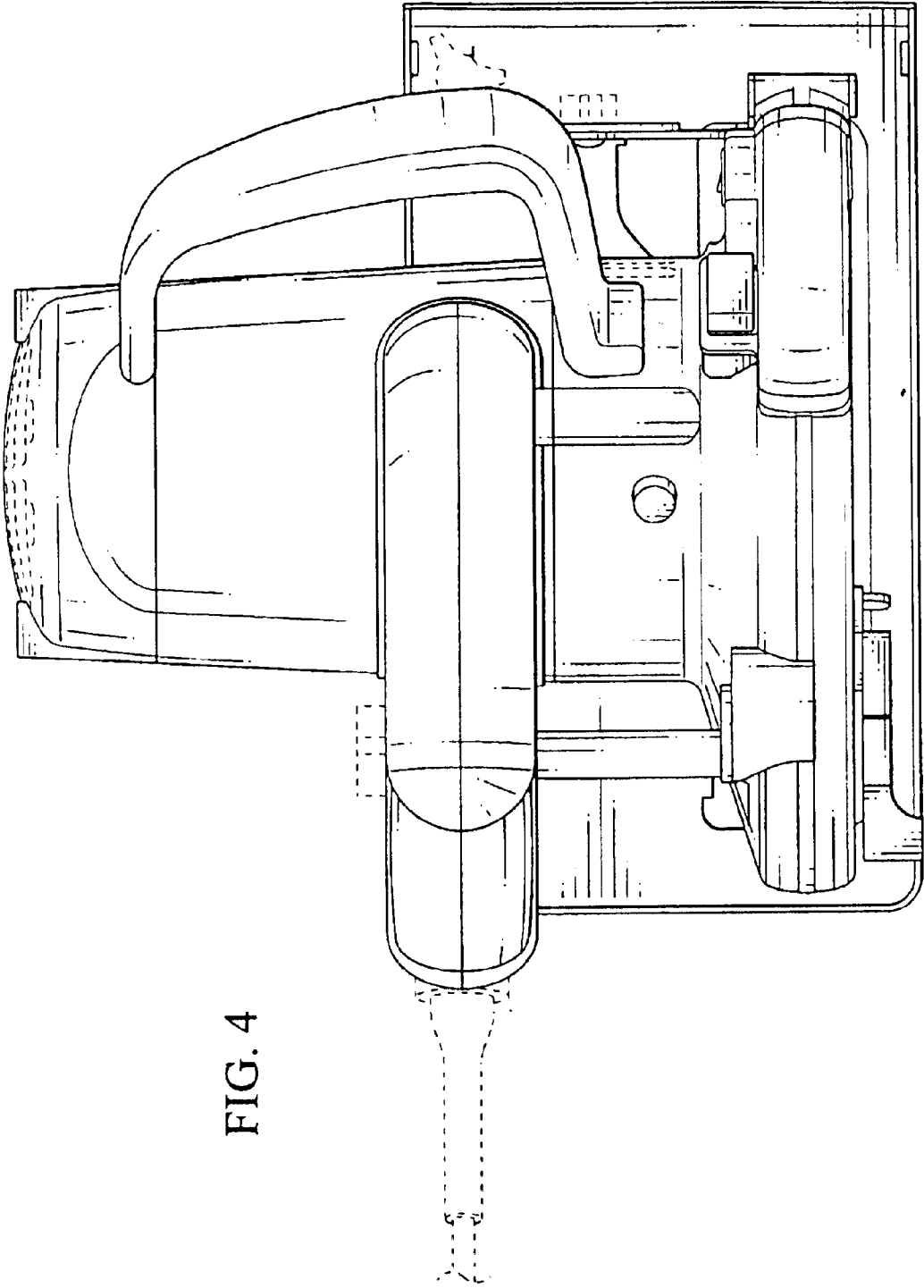


FIG. 4

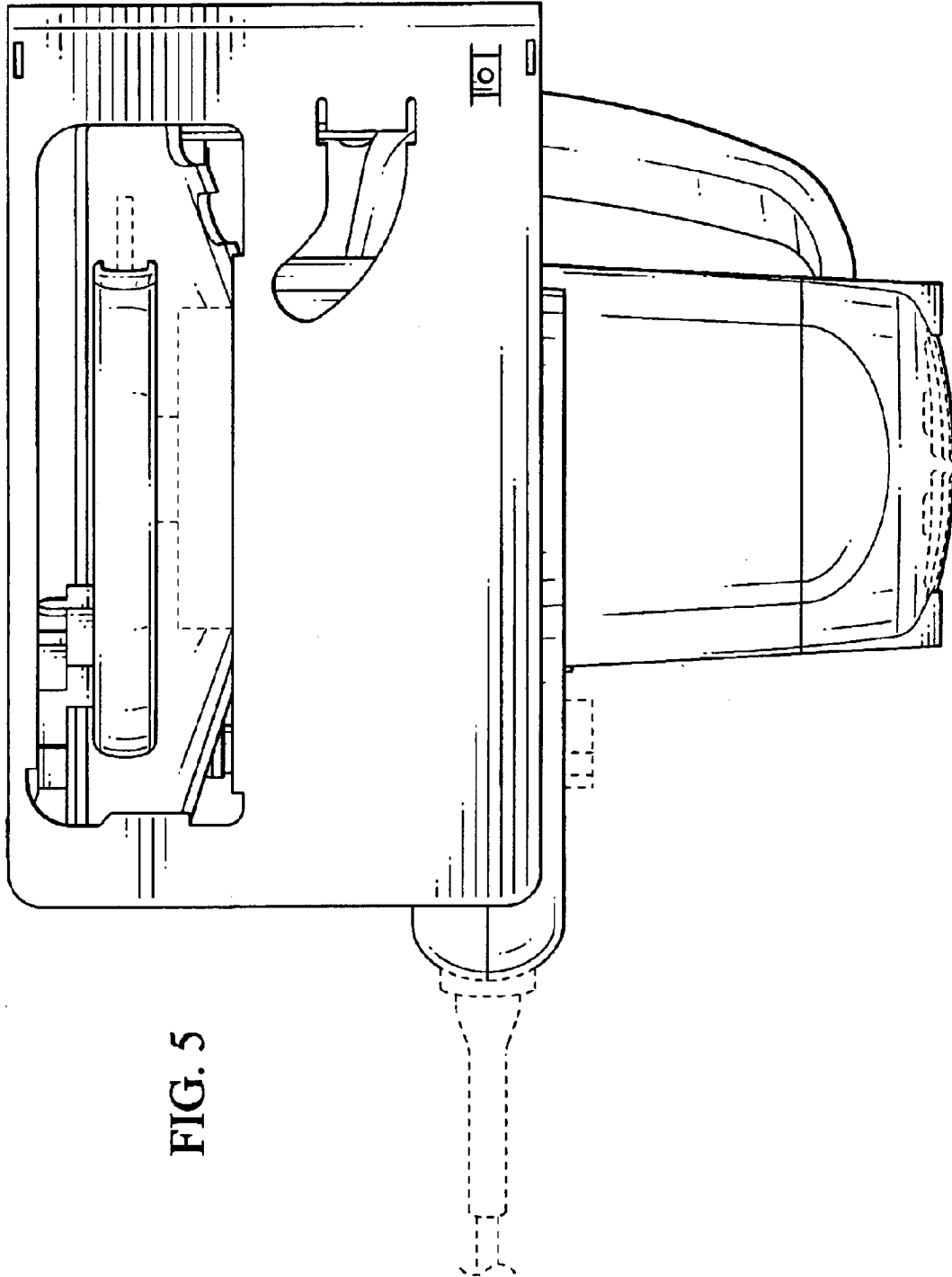


FIG. 5

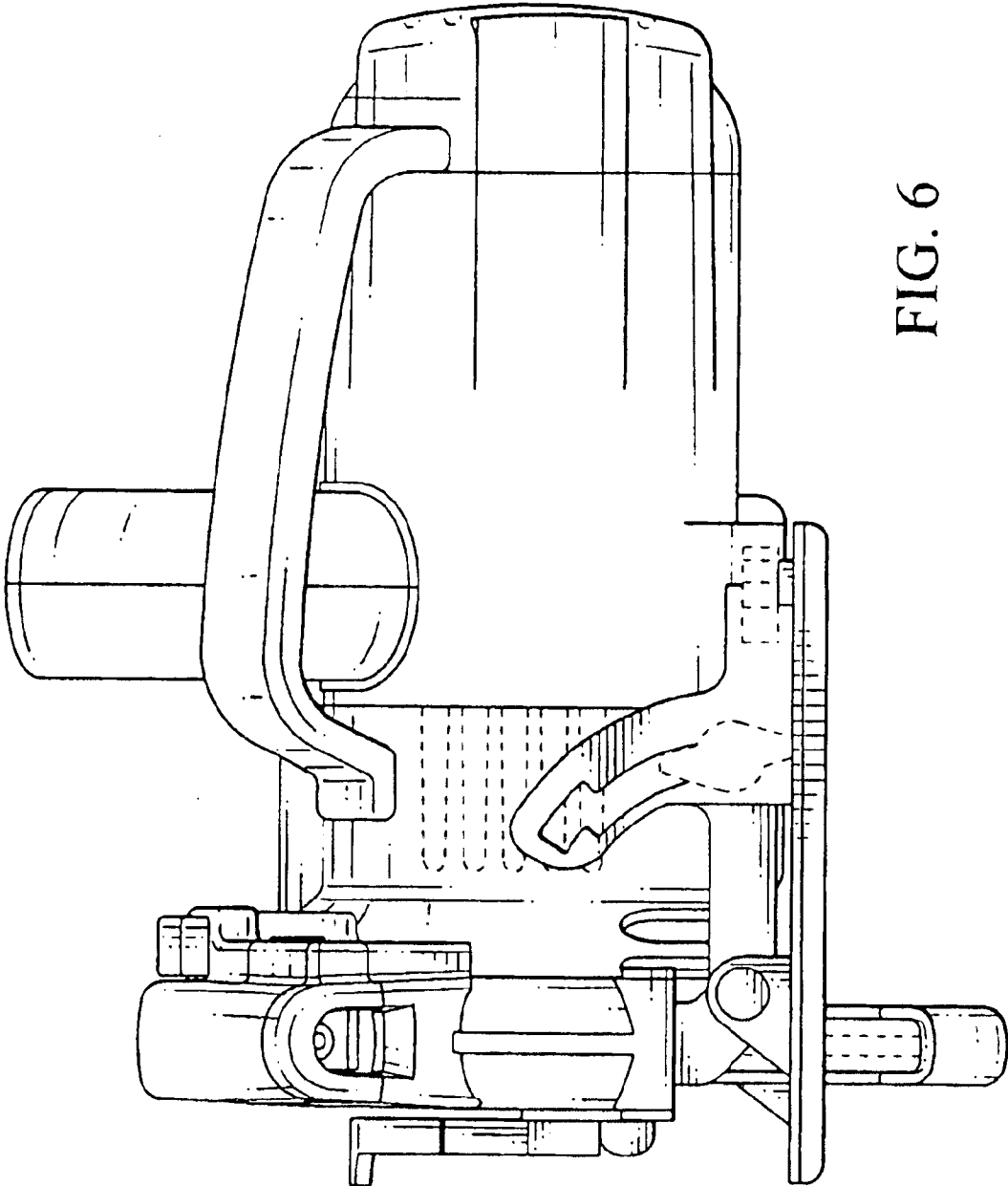


FIG. 6

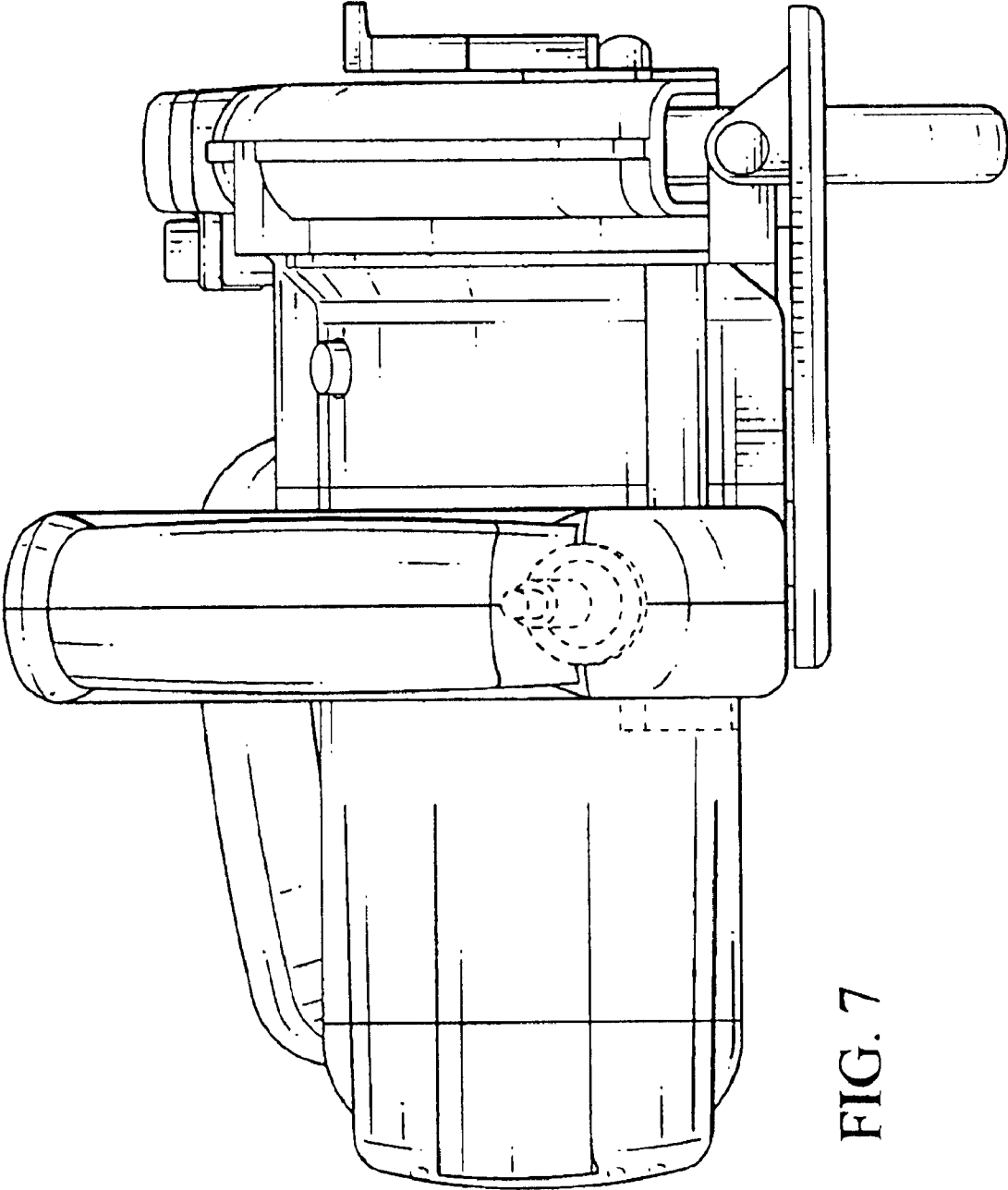


FIG. 7