

(19) World Intellectual Property Organization  
International Bureau



(43) International Publication Date  
18 May 2007 (18.05.2007)

PCT

(10) International Publication Number  
WO 2007/055998 A3

- (51) International Patent Classification:  
H02M 1/10 (2006.01)
- (21) International Application Number:  
PCT/US2006/042613
- (22) International Filing Date: 31 October 2006 (31.10.2006)
- (25) Filing Language: English
- (26) Publication Language: English
- (30) Priority Data:  
11/269,440 8 November 2005 (08.11.2005) US
- (71) Applicant (for all designated States except US): EVEREADY BATTERY COMPANY, INC. [US/US]; 533 Maryville University Drive, St. Louis, MO 63141 (US).

AT, AU, AZ, BA, BB, BG, BR, BW, BY, BZ, CA, CH, CN, CO, CR, CU, CZ, DE, DK, DM, DZ, EC, EE, EG, ES, FI, GB, GD, GE, GH, GM, GT, HN, HR, HU, ID, IL, IN, IS, JP, KE, KG, KM, KN, KP, KR, KZ, LA, LC, LK, LR, LS, LT, LU, LV, LY, MA, MD, MG, MK, MN, MW, MX, MY, MZ, NA, NG, NI, NO, NZ, OM, PG, PH, PL, PT, RO, RS, RU, SC, SD, SE, SG, SK, SL, SM, SV, SY, TJ, TM, TN, TR, TT, TZ, UA, UG, US, UZ, VC, VN, ZA, ZM, ZW.

(84) Designated States (unless otherwise indicated, for every kind of regional protection available): ARIPO (BW, GH, GM, KE, LS, MW, MZ, NA, SD, SL, SZ, TZ, UG, ZM, ZW), Eurasian (AM, AZ, BY, KG, KZ, MD, RU, TJ, TM), European (AT, BE, BG, CH, CY, CZ, DE, DK, EE, ES, FI, FR, GB, GR, HU, IE, IS, IT, LT, LU, LV, MC, NL, PL, PT, RO, SE, SI, SK, TR), OAPI (BF, BJ, CF, CG, CI, CM, GA, GN, GQ, GW, ML, MR, NE, SN, TD, TG).

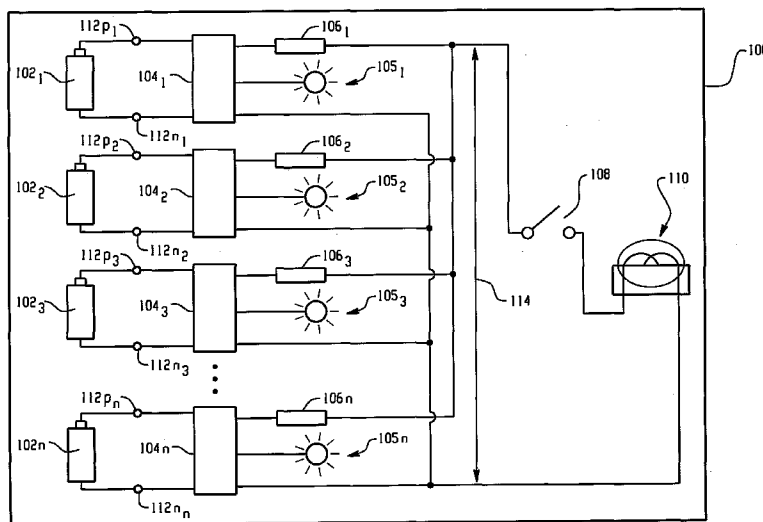
Published:  
— with international search report  
— before the expiration of the time limit for amending the claims and to be republished in the event of receipt of amendments

(88) Date of publication of the international search report:  
21 December 2007

For two-letter codes and other abbreviations, refer to the "Guidance Notes on Codes and Abbreviations" appearing at the beginning of each regular issue of the PCT Gazette.

- (72) Inventor; and
- (75) Inventor/Applicant (for US only): HOFFMAN, Peter, F. [US/US]; 33120 Heartwood Avenue, Avon, OH 44011 (US).
- (74) Agent: ADAMS, Gregory, J.; Eveready Battery Company, Inc., 25225 Detroit Road, Westlake, OH 44145 (US).
- (81) Designated States (unless otherwise indicated, for every kind of national protection available): AE, AG, AL, AM,

(54) Title: ENHANCED PORTABLE BATTERY POWERED ELECTRICAL APPLIANCE



(57) Abstract: A portable battery powered appliance such as a flashlight accepts at least first and second batteries (102<sub>1</sub>, 102<sub>2</sub>). The appliance also includes an electrical load (110) such as a light source. A first circuit (104<sub>1</sub>) such as a DC to DC converter receives power from the first battery (102<sub>1</sub>) and supplies power to the load (110). A second circuit (104<sub>2</sub>) such as a DC to DC converter receives power from the second battery (102<sub>2</sub>) and supplies electrical power to the load (110). In one embodiment, the appliance accepts batteries (102) having multiple physical sizes.

WO 2007/055998 A3

## INTERNATIONAL SEARCH REPORT

International application No

PCT/US2006/042613

<b>A. CLASSIFICATION OF SUBJECT MATTER</b> INV. H02M1/10		
According to International Patent Classification (IPC) or to both national classification and IPC		
<b>B. FIELDS SEARCHED</b>		
Minimum documentation searched (classification system followed by classification symbols) H02M		
Documentation searched other than minimum documentation to the extent that such documents are included in the fields searched		
Electronic data base consulted during the international search (name of data base and, where practical, search terms used) EPO-Internal		
<b>C. DOCUMENTS CONSIDERED TO BE RELEVANT</b>		
Category*	Citation of document, with indication, where appropriate, of the relevant passages	Relevant to claim No.
X	JP 02 018536 A (CANON INC.) 22 January 1990 (1990-01-22)	1-5, 7, 8, 11-20, 22-24, 27-29
Y	abstract figure 1	6, 9, 10, 21, 25, 26
X	US 5 583 753 A (TOMIO TAKAYAMA) 10 December 1996 (1996-12-10)	1, 3-5, 7-9, 11, 15-20, 22-24
Y	abstract figures 2-8, 14-18 column 1, line 57 - column 2, line 14 ----- -/--	12, 13
<input checked="" type="checkbox"/> Further documents are listed in the continuation of Box C. <input checked="" type="checkbox"/> See patent family annex.		
* Special categories of cited documents : *A* document defining the general state of the art which is not considered to be of particular relevance *E* earlier document but published on or after the international filing date *L* document which may throw doubts on priority claim(s) or which is cited to establish the publication date of another citation or other special reason (as specified) *O* document referring to an oral disclosure, use, exhibition or other means *P* document published prior to the international filing date but later than the priority date claimed *T* later document published after the international filing date or priority date and not in conflict with the application but cited to understand the principle or theory underlying the invention *X* document of particular relevance; the claimed invention cannot be considered novel or cannot be considered to involve an inventive step when the document is taken alone *Y* document of particular relevance; the claimed invention cannot be considered to involve an inventive step when the document is combined with one or more other such documents, such combination being obvious to a person skilled in the art. *&* document member of the same patent family		
Date of the actual completion of the international search  22 October 2007		Date of mailing of the international search report  05/11/2007
Name and mailing address of the ISA/ European Patent Office, P.B. 5818 Patentlaan 2 NL - 2280 HV Rijswijk Tel. (+31-70) 340-2040, Tx. 31 651 epo nl, Fax: (+31-70) 340-3016		Authorized officer  Lund, Michael

## INTERNATIONAL SEARCH REPORT

International application No  
PCT/US2006/042613

C(Continuation). DOCUMENTS CONSIDERED TO BE RELEVANT		
Category*	Citation of document, with indication, where appropriate, of the relevant passages	Relevant to claim No.
A	US 5 373 195 A (RIK W.A.A. DE DONCKER ET AL.) 13 December 1994 (1994-12-13) figures 4-6 column 5, line 15 - line 64 -----	1
A	EP 1 463 190 A (LUCENT TECHNOLOGIES INC.) 29 September 2004 (2004-09-29) paragraph [0020] figure 2 -----	1
Y	US 6 616 296 B1 (FRANCOIS ROUX ET AL.) 9 September 2003 (2003-09-09) abstract figure 5 column 1, line 5 - line 11 column 3, line 34 - line 35 -----	6,21
A	US 4 876 632 A (RALPH F. OSTERHOUT ET AL.) 24 October 1989 (1989-10-24) abstract figure 1 column 1, line 26 - line 36 -----	6,21
Y	WO 03/038980 A (MOBILITY ELECTRONICS INC.) 8 May 2003 (2003-05-08) abstract page 4, line 3 - line 14 figure 1 -----	9,10,25
Y	US 3 873 846 A (MINORU MORIO ET AL.) 25 March 1975 (1975-03-25) abstract figures 1-4 column 1, line 23 - line 34 -----	12,13,26

**INTERNATIONAL SEARCH REPORT**

Information on patent family members

International application No PCT/US2006/042613
---

Patent document cited in search report		Publication date	Patent family member(s)	Publication date
JP 02018536	A	22-01-1990	NONE	
US 5583753	A	10-12-1996	NONE	
US 5373195	A	13-12-1994	BR 9305202 A CA 2110011 A1 CH 687946 A5 IT 1274348 B JP 3910220 B2 JP 6276609 A MX 9308198 A1	28-06-1994 24-06-1994 27-03-1997 17-07-1997 25-04-2007 30-09-1994 31-01-1995
EP 1463190	A	29-09-2004	BR 0400318 A CN 1538806 A JP 2004295892 A KR 20040084672 A MX PA04002691 A US 6774507 B1	24-05-2005 20-10-2004 21-10-2004 06-10-2004 26-08-2005 10-08-2004
US 6616296	B1	09-09-2003	AU 3050200 A CA 2358483 A1 EP 1141621 A1 FR 2788328 A1 WO 0042350 A1	01-08-2000 20-07-2000 10-10-2001 13-07-2000 20-07-2000
US 4876632	A	24-10-1989	NONE	
WO 03038980	A	08-05-2003	AT 318461 T CA 2466162 A1 CN 1596501 A DE 60209371 T2 EP 1440503 A1 ES 2259103 T3 JP 2005508129 T KR 20050042045 A	15-03-2006 08-05-2003 16-03-2005 05-10-2006 28-07-2004 16-09-2006 24-03-2005 04-05-2005
US 3873846	A	25-03-1975	CA 981747 A1 DE 2345073 A1 FR 2199226 A1 GB 1440240 A IT 993171 B NL 7312398 A	13-01-1976 14-03-1974 05-04-1974 23-06-1976 30-09-1975 11-03-1974