

(19) World Intellectual Property Organization
International Bureau



(43) International Publication Date
18 June 2009 (18.06.2009)

PCT

(10) International Publication Number
WO 2009/076297 A3

- (51) International Patent Classification:
A61F 2/36 (2006.01)
- (21) International Application Number:
PCT/US2008/085898
- (22) International Filing Date:
8 December 2008 (08.12.2008)
- (25) Filing Language: English
- (26) Publication Language: English
- (30) Priority Data:
61/005,990 10 December 2007 (10.12.2007) US
61/007,033 10 December 2007 (10.12.2007) US
- (71) Applicant (for all designated States except US): MAKO SURGICAL CORP. [US/US]; 2555 Davie Road, Fort Lauderdale, FL 33317 (US).
- (72) Inventor; and
- (75) Inventor/Applicant (for US only): QUAID, Arthur, E. [US/US]; 502 SW 6th Avenue, Fort Lauderdale, FL 33315 (US).
- (74) Agent: RAWLINS, Andrew, E.; Foley & Lardner LLP, 3000 K St. NW, Suite 500, Washington, DC 20007 (US).
- (81) Designated States (unless otherwise indicated, for every kind of national protection available): AE, AG, AL, AM,

AO, AT, AU, AZ, BA, BB, BG, BH, BR, BW, BY, BZ, CA, CH, CN, CO, CR, CU, CZ, DE, DK, DM, DO, DZ, EC, EE, EG, ES, FI, GB, GD, GE, GH, GM, GT, HN, HR, HU, ID, IL, IN, IS, JP, KE, KG, KM, KN, KP, KR, KZ, LA, LC, LK, LR, LS, LT, LU, LY, MA, MD, ME, MG, MK, MN, MW, MX, MY, MZ, NA, NG, NI, NO, NZ, OM, PG, PH, PL, PT, RO, RS, RU, SC, SD, SE, SG, SK, SL, SM, ST, SV, SY, TJ, TM, TN, TR, TT, TZ, UA, UG, US, UZ, VC, VN, ZA, ZM, ZW.

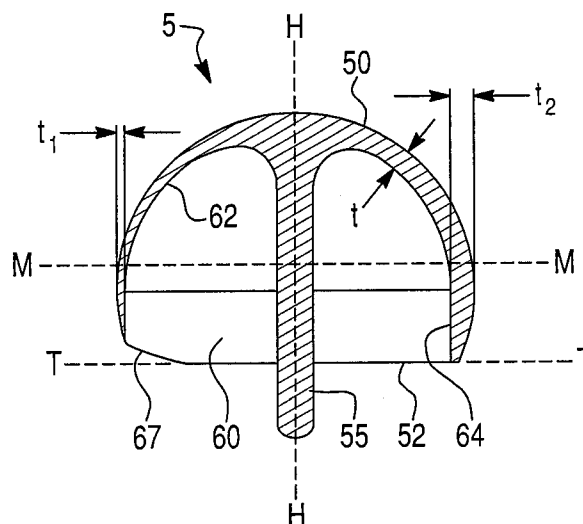
(84) Designated States (unless otherwise indicated, for every kind of regional protection available): ARIPO (BW, GH, GM, KE, LS, MW, MZ, NA, SD, SL, SZ, TZ, UG, ZM, ZW), Eurasian (AM, AZ, BY, KG, KZ, MD, RU, TJ, TM), European (AT, BE, BG, CH, CY, CZ, DE, DK, EE, ES, FI, FR, GB, GR, HR, HU, IE, IS, IT, LT, LU, LV, MC, MT, NL, NO, PL, PT, RO, SE, SI, SK, TR), OAPI (BF, BJ, CF, CG, CI, CM, GA, GN, GQ, GW, ML, MR, NE, SN, TD, TG).

Published:
— with international search report
— before the expiration of the time limit for amending the claims and to be republished in the event of receipt of amendments

(88) Date of publication of the international search report:
30 July 2009

(54) Title: A PROSTHETIC DEVICE AND SYSTEM FOR PREPARING A BONE TO RECEIVE A PROSTHETIC DEVICE

Fig. 4E



(57) Abstract: A substantially cup-shaped prosthetic device for a joint is provided. The prosthetic device includes an outer surface configured to operatively engage at least one of a first bone of the joint and a component and an inner surface configured to connect to a second bone of the joint. The inner surface is rotationally asymmetric to minimize intrusion on a vascular region of the second bone.



WO 2009/076297 A3

INTERNATIONAL SEARCH REPORT

International application No
PCT/US2008/085898

A. CLASSIFICATION OF SUBJECT MATTER
INV. A61F2/36

According to International Patent Classification (IPC) or to both national classification and IPC

B. FIELDS SEARCHED

Minimum documentation searched (classification system followed by classification symbols)
A61F

Documentation searched other than minimum documentation to the extent that such documents are included in the fields searched

Electronic data base consulted during the international search (name of data base and, where practical, search terms used)

EPO-Internal, WPI Data

C. DOCUMENTS CONSIDERED TO BE RELEVANT

Category*	Citation of document, with indication, where appropriate, of the relevant passages	Relevant to claim No.
X	US 2003/163202 A1 (LAKIN RYAN C [US]) 28 August 2003 (2003-08-28) paragraph [0037]; figures 4-6	1-11
X	US 2005/256585 A1 (PARK MYUNG-SIK [KR] ET AL) 17 November 2005 (2005-11-17) paragraphs [0027] - [0030]; figures 1,2	1-5, 11
X	DE 101 30 366 A1 (COPF PETER [DE]; HEIN WERNER [DE]) 21 November 2002 (2002-11-21) paragraph [0032]; figure 4	1
X	US 4 005 495 A (LOCKE HELMUT ET AL) 1 February 1977 (1977-02-01) figures 1-3	1, 11
	----- -/--	

Further documents are listed in the continuation of Box C.

See patent family annex.

* Special categories of cited documents :

- *A* document defining the general state of the art which is not considered to be of particular relevance
- *E* earlier document but published on or after the international filing date
- *L* document which may throw doubts on priority claim(s) or which is cited to establish the publication date of another citation or other special reason (as specified)
- *O* document referring to an oral disclosure, use, exhibition or other means
- *P* document published prior to the international filing date but later than the priority date claimed

- *T* later document published after the international filing date or priority date and not in conflict with the application but cited to understand the principle or theory underlying the invention
- *X* document of particular relevance; the claimed invention cannot be considered novel or cannot be considered to involve an inventive step when the document is taken alone
- *Y* document of particular relevance; the claimed invention cannot be considered to involve an inventive step when the document is combined with one or more other such documents, such combination being obvious to a person skilled in the art.
- *&* document member of the same patent family

Date of the actual completion of the international search

4 March 2009

Date of mailing of the international search report

18/06/2009

Name and mailing address of the ISA/

European Patent Office, P.B. 5818 Patentlaan 2
NL - 2280 HV Rijswijk
Tel. (+31-70) 340-2040,
Fax: (+31-70) 340-3016

Authorized officer

Cuiper, Ralf

INTERNATIONAL SEARCH REPORT

International application No
PCT/US2008/085898

C(Continuation). DOCUMENTS CONSIDERED TO BE RELEVANT		
Category*	Citation of document, with indication, where appropriate, of the relevant passages	Relevant to claim No.
X	GB 718 935 A (HENRI GEORGES VAN STEENBRUGGHE) 24 November 1954 (1954-11-24) figures 2,3 -----	1,11

INTERNATIONAL SEARCH REPORT

International application No.
PCT/US2008/085898

Box No. II Observations where certain claims were found unsearchable (Continuation of item 2 of first sheet)

This international search report has not been established in respect of certain claims under Article 17(2)(a) for the following reasons:

1. Claims Nos.:
because they relate to subject matter not required to be searched by this Authority, namely:

2. Claims Nos.:
because they relate to parts of the international application that do not comply with the prescribed requirements to such an extent that no meaningful international search can be carried out, specifically:

3. Claims Nos.:
because they are dependent claims and are not drafted in accordance with the second and third sentences of Rule 6.4(a).

Box No. III Observations where unity of invention is lacking (Continuation of item 3 of first sheet)

This International Searching Authority found multiple inventions in this international application, as follows:

see additional sheet

1. As all required additional search fees were timely paid by the applicant, this international search report covers allsearchable claims.
2. As all searchable claims could be searched without effort justifying an additional fees, this Authority did not invite payment of additional fees.
3. As only some of the required additional search fees were timely paid by the applicant, this international search report covers only those claims for which fees were paid, specifically claims Nos.:
4. No required additional search fees were timely paid by the applicant. Consequently, this international search report is restricted to the invention first mentioned in the claims; it is covered by claims Nos.:

see annex

Remark on Protest

- The additional search fees were accompanied by the applicant's protest and, where applicable, the payment of a protest fee.
- The additional search fees were accompanied by the applicant's protest but the applicable protest fee was not paid within the time limit specified in the invitation.
- No protest accompanied the payment of additional search fees.

INTERNATIONAL SEARCH REPORT

International Application No. PCT/US2008 /085898

FURTHER INFORMATION CONTINUED FROM PCT/ISA/ 210

This International Searching Authority found multiple (groups of) inventions in this international application, as follows:

1. claims: 1-11

cup-shaped prosthetic device

2. claims: 12-17

robotic system for preparing a bone

INTERNATIONAL SEARCH REPORT

Information on patent family members

International application No PCT/US2008/085898

Patent document cited in search report		Publication date	Patent family member(s)	Publication date
US 2003163202	A1	28-08-2003	US 2006241779 A1	26-10-2006
US 2005256585	A1	17-11-2005	KR 20050109291 A	21-11-2005
DE 10130366	A1	21-11-2002	NONE	
US 4005495	A	01-02-1977	AT 346468 B	10-11-1978
			CH 602094 A5	31-07-1978
			DE 2535649 A1	24-03-1977
			FR 2320725 A1	11-03-1977
			GB 1560734 A	06-02-1980
			JP 52022396 A	19-02-1977
GB 718935	A	24-11-1954	BE 516826 A	
			FR 1063680 A	05-05-1954
			IT 498150 A	29-09-1954