



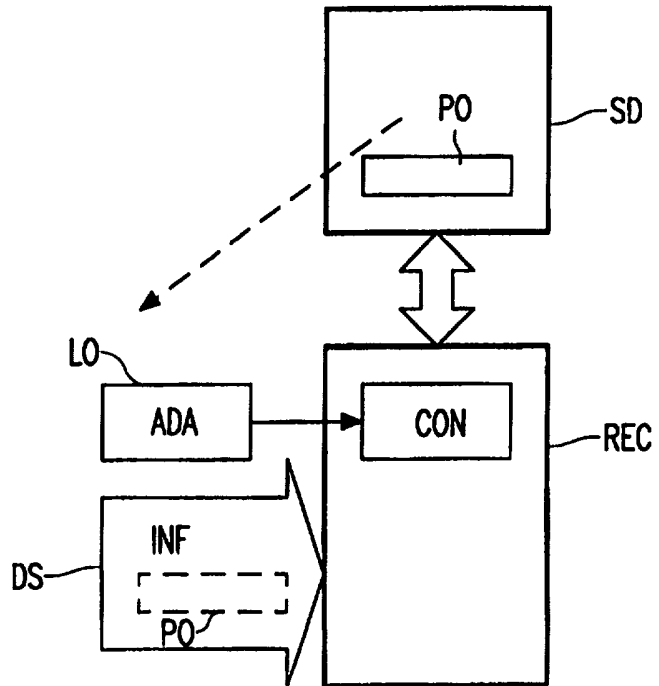
INTERNATIONAL APPLICATION PUBLISHED UNDER THE PATENT COOPERATION TREATY (PCT)

<p>(51) International Patent Classification ⁶ : H04N 7/16</p>	<p>A3</p>	<p>(11) International Publication Number: WO 97/42762 (43) International Publication Date: 13 November 1997 (13.11.97)</p>
<p>(21) International Application Number: PCT/IB97/00459 (22) International Filing Date: 30 April 1997 (30.04.97) (30) Priority Data: 96201239.9 6 May 1996 (06.05.96) EP (34) Countries for which the regional or international application was filed: NL et al. (71) Applicant: PHILIPS ELECTRONICS N.V. [NL/NL]; Groenewoudseweg 1, NL-5621 BA Eindhoven (NL). (71) Applicant (for SE only): PHILIPS NORDEN AB [SE/SE]; Kottbygatan 7, Kista, S-164 85 Stockholm (SE). (74) Agent: GROENENDAAL, Antonius, W., M.; Internationaal Octrooibureau B.V., P.O. Box 220, NL-5600 AE Eindhoven (NL).</p>		<p>(81) Designated States: CN, JP, KR, European patent (AT, BE, CH, DE, DK, ES, FI, FR, GB, GR, IE, IT, LU, MC, NL, PT, SE). Published <i>With international search report.</i> <i>Before the expiration of the time limit for amending the claims and to be republished in the event of the receipt of amendments.</i> (88) Date of publication of the international search report: 11 December 1997 (11.12.97)</p>

(54) Title: SECURITY DEVICE MANAGED ACCESS TO INFORMATION

(57) Abstract

In an information delivery system, a security device (SD) manages an access to information (INF). The security device (SD) is capable of providing a pointer (PO) which indicates a location (LO) from which additional data (ADA) may be obtained. The additional data (ADA) may be a description of the information (INF) which is offered. For example, in a pay TV system, the information (INF) may be a particular movie of which the description is "James Bond, Dr. No, action category, 12 years and older, broadcast April 19, at 20h30." In that case, the pointer (PO) may be used to inform a subscriber that his security device (SD) allows him to watch this particular movie. However, the additional data (ADA) contained in the location (LO) indicated by the pointer (PO), may also be software for various purposes such as, for example, playing games or configuring a receiver (REC) which co-operates with the security device (SD).



FOR THE PURPOSES OF INFORMATION ONLY

Codes used to identify States party to the PCT on the front pages of pamphlets publishing international applications under the PCT.

AL	Albania	ES	Spain	LS	Lesotho	SI	Slovenia
AM	Armenia	FI	Finland	LT	Lithuania	SK	Slovakia
AT	Austria	FR	France	LU	Luxembourg	SN	Senegal
AU	Australia	GA	Gabon	LV	Latvia	SZ	Swaziland
AZ	Azerbaijan	GB	United Kingdom	MC	Monaco	TD	Chad
BA	Bosnia and Herzegovina	GE	Georgia	MD	Republic of Moldova	TG	Togo
BB	Barbados	GH	Ghana	MG	Madagascar	TJ	Tajikistan
BE	Belgium	GN	Guinea	MK	The former Yugoslav Republic of Macedonia	TM	Turkmenistan
BF	Burkina Faso	GR	Greece	ML	Mali	TR	Turkey
BG	Bulgaria	HU	Hungary	MN	Mongolia	TT	Trinidad and Tobago
BJ	Benin	IE	Ireland	MR	Mauritania	UA	Ukraine
BR	Brazil	IL	Israel	MW	Malawi	UG	Uganda
BY	Belarus	IS	Iceland	MX	Mexico	US	United States of America
CA	Canada	IT	Italy	NE	Niger	UZ	Uzbekistan
CF	Central African Republic	JP	Japan	NL	Netherlands	VN	Viet Nam
CG	Congo	KE	Kenya	NO	Norway	YU	Yugoslavia
CH	Switzerland	KG	Kyrgyzstan	NZ	New Zealand	ZW	Zimbabwe
CI	Côte d'Ivoire	KP	Democratic People's Republic of Korea	PL	Poland		
CM	Cameroon	KR	Republic of Korea	PT	Portugal		
CN	China	KZ	Kazakistan	RO	Romania		
CU	Cuba	LC	Saint Lucia	RU	Russian Federation		
CZ	Czech Republic	LI	Liechtenstein	SD	Sudan		
DE	Germany	LK	Sri Lanka	SE	Sweden		
DK	Denmark	LR	Liberia	SG	Singapore		
EE	Estonia						

INTERNATIONAL SEARCH REPORT

International application No.
PCT/IB 97/00459

A. CLASSIFICATION OF SUBJECT MATTER

IPC6: H04N 7/16
According to International Patent Classification (IPC) or to both national classification and IPC

B. FIELDS SEARCHED

Minimum documentation searched (classification system followed by classification symbols)

IPC6: H04N

Documentation searched other than minimum documentation to the extent that such documents are included in the fields searched

SE,DK,FI,NO classes as above

Electronic data base consulted during the international search (name of data base and, where practicable, search terms used)

C. DOCUMENTS CONSIDERED TO BE RELEVANT

Category*	Citation of document, with indication, where appropriate, of the relevant passages	Relevant to claim No.
X	EP 0633694 A1 (DIGITAL EQUIPMENT CORPORATION), 11 January 1995 (11.01.95), abstract --	1-7
X	EP 0605115 A2 (AT&T CORP.), 6 July 1994 (06.07.94), abstract --	1-7
X	EP 0679028 A2 (THOMSON CONSUMER ELECTRONICS, INC.), 25 October 1995 (25.10.95), claim 1 --	1-7
A	US 5235415 A (BONICEL ET AL), 10 August 1993 (10.08.93), Cited in the application. -- -----	1-7

Further documents are listed in the continuation of Box C.

See patent family annex.

* Special categories of cited documents:

"A" document defining the general state of the art which is not considered to be of particular relevance

"E" earlier document but published on or after the international filing date

"L" document which may throw doubt on priority claim(s) or which is cited to establish the publication date of another citation or other special reason (as specified)

"O" document referring to an oral disclosure, use, exhibition or other means

"P" document published prior to the international filing date but later than the priority date claimed

"T" later document published after the international filing date or priority date and not in conflict with the application but cited to understand the principle or theory underlying the invention

"X" document of particular relevance: the claimed invention cannot be considered novel or cannot be considered to involve an inventive step when the document is taken alone

"Y" document of particular relevance: the claimed invention cannot be considered to involve an inventive step when the document is combined with one or more other such documents, such combination being obvious to a person skilled in the art

"&" document member of the same patent family

Date of the actual completion of the international search

Date of mailing of the international search report

30 October 1997

04.11.97

Name and mailing address of the ISA/
Swedish Patent Office
Box 5055, S-102 42 STOCKHOLM
Facsimile No. +46 8 666 02 86

Authorized officer

Rune Bengtsson
Telephone No. +46 8 782 25 00

INTERNATIONAL SEARCH REPORT

Information on patent family members

01/10/97

International application No.

PCT/IB 97/00459

Patent document cited in search report	Publication date	Patent family member(s)	Publication date
EP 0633694 A1	11/01/95	CA 2127347 A	08/01/95
		US 5414455 A	09/05/95
		US 5442390 A	15/08/95
EP 0605115 A2	06/07/94	JP 7177492 A	14/07/95
		US 5442389 A	15/08/95
EP 0679028 A2	25/10/95	BR 9501735 A	14/11/95
		CA 2146472 A	23/10/95
		CN 1111867 A	15/11/95
		JP 7297855 A	10/11/95
		SG 30346 A	01/06/96
		US 5475754 A	12/12/95
		US 5613003 A	18/03/97
		US 5521979 A	28/05/96
US 5235415 A	10/08/93	DE 69022565 D,T	15/05/96
		EP 0434585 A,B	26/06/91
		FR 2656489 A,B	28/06/91
		NO 177658 B,C	17/07/95