



US00D594271S

(12) **United States Design Patent**
Bodum

(10) **Patent No.:** **US D594,271 S**

(45) **Date of Patent:** **** Jun. 16, 2009**

(54) **FRYING PAN**

(75) Inventor: **Jørgen Bodum**, Meggen (CH)

(73) Assignee: **Pi-Design, AG**, Triengen (CH)

(**) Term: **14 Years**

(21) Appl. No.: **29/330,231**

(22) Filed: **Dec. 31, 2008**

(30) **Foreign Application Priority Data**

Jul. 11, 2008 (DK) DA 2008 00168

(51) **LOC (9) Cl.** **07-02**

(52) **U.S. Cl.** **D7/361**

(58) **Field of Classification Search** D6/450;
D7/323, 354-361, 365, 378-379, 383-384,
D7/391-396.1, 402, 542-543, 545, 560, 584-588;
99/339-340, 422, 425, 445; 219/620-621,
219/725-730; 220/573.1-574, 769, 912
See application file for complete search history.

(56) **References Cited**

U.S. PATENT DOCUMENTS

1,936,551	A	*	11/1933	Garrison	99/339
2,262,302	A	*	11/1941	Sinclair	99/425
3,457,852	A	*	7/1969	Kwoh	99/340
D297,604	S	*	9/1988	Hagberg et al.	D7/359
D458,797	S	*	6/2002	Kellermann	D7/360

D470,711	S	*	2/2003	Kloppsteck	D7/359
D492,537	S	*	7/2004	Cheng	D7/357
D492,538	S	*	7/2004	Cheng	D7/357
D511,929	S	*	11/2005	Coppi	D7/359
D536,199	S	*	2/2007	Kloppsteck	D6/450

* cited by examiner

Primary Examiner—Caron Veynar

Assistant Examiner—Ricky Pham

(74) *Attorney, Agent, or Firm*—Cowan, Liebowitz & Latman, PC

(57) **CLAIM**

The ornamental design for a frying pan, as shown and described.

DESCRIPTION

FIG. 1 is a perspective view of the frying pan showing my design thereof;

FIG. 2 is a front view thereof;

FIG. 3 is a back view thereof;

FIG. 4 is a right side view thereof;

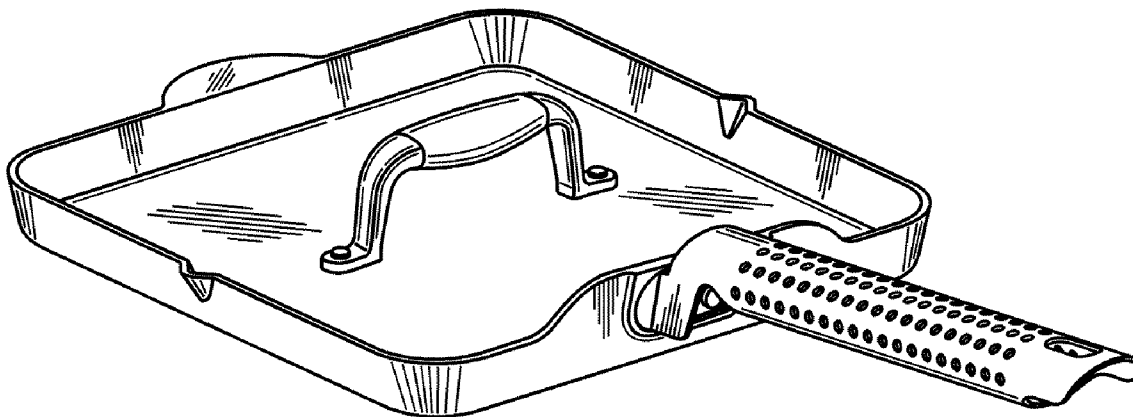
FIG. 5 is a left side view thereof;

FIG. 6 is a top view thereof;

FIG. 7 is a bottom view thereof; and,

FIG. 8 is a sectional view thereof taken along line 8—8 of FIG. 6.

1 Claim, 8 Drawing Sheets



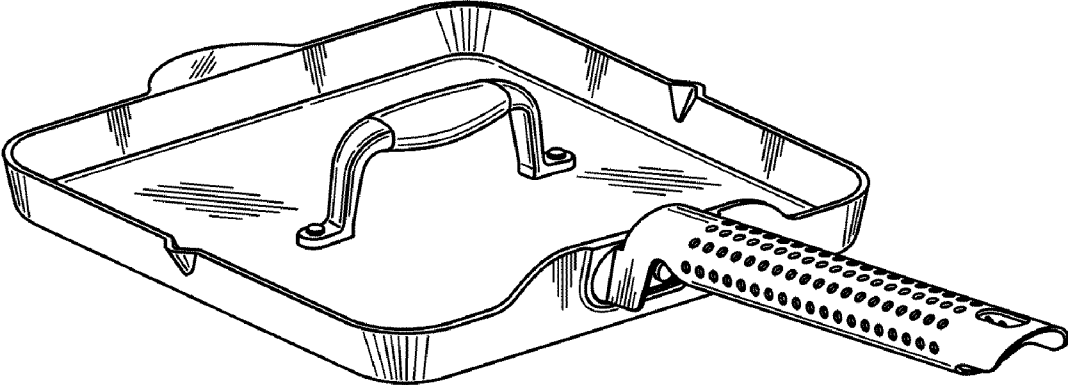


FIG. 1

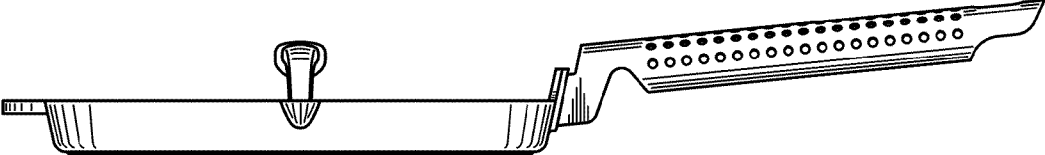


FIG. 2

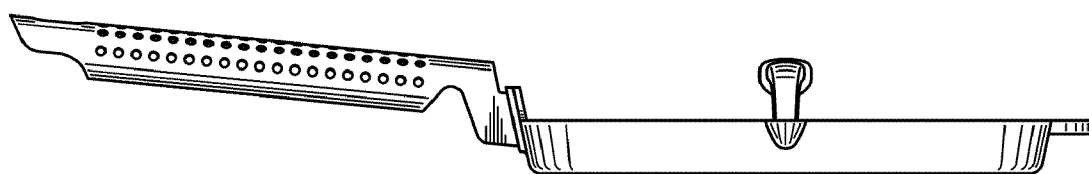


FIG. 3

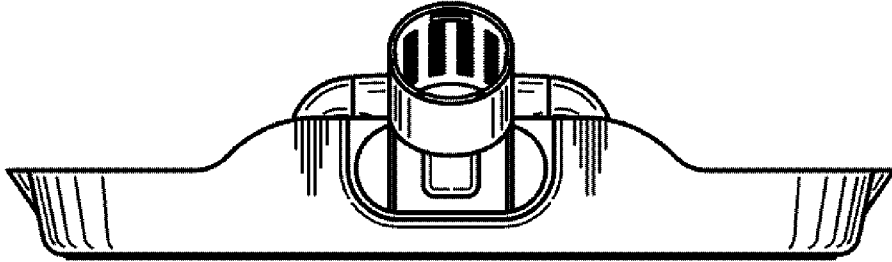


FIG. 4

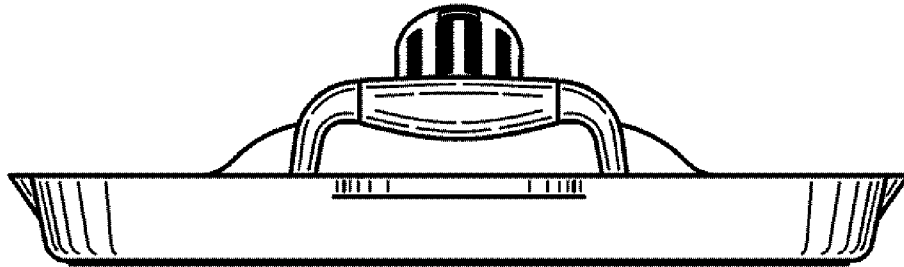


FIG. 5

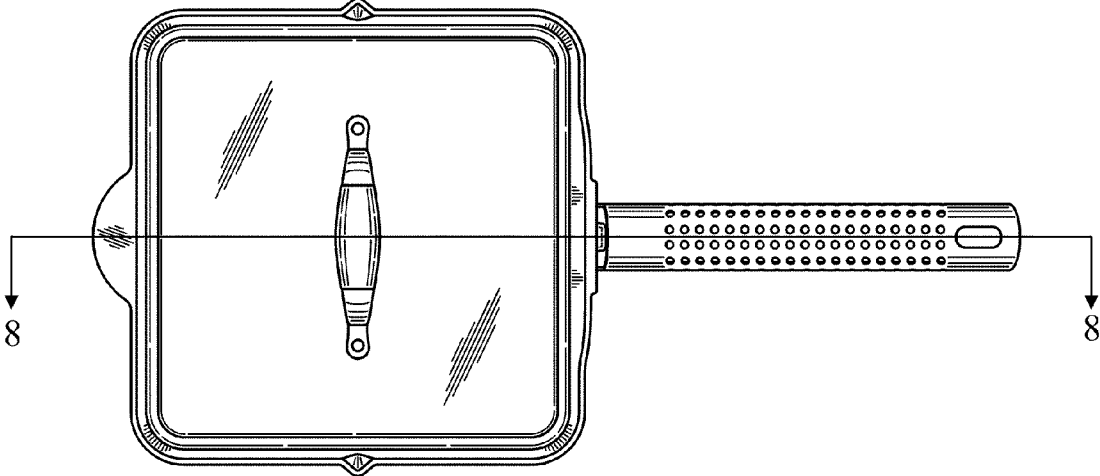


FIG. 6

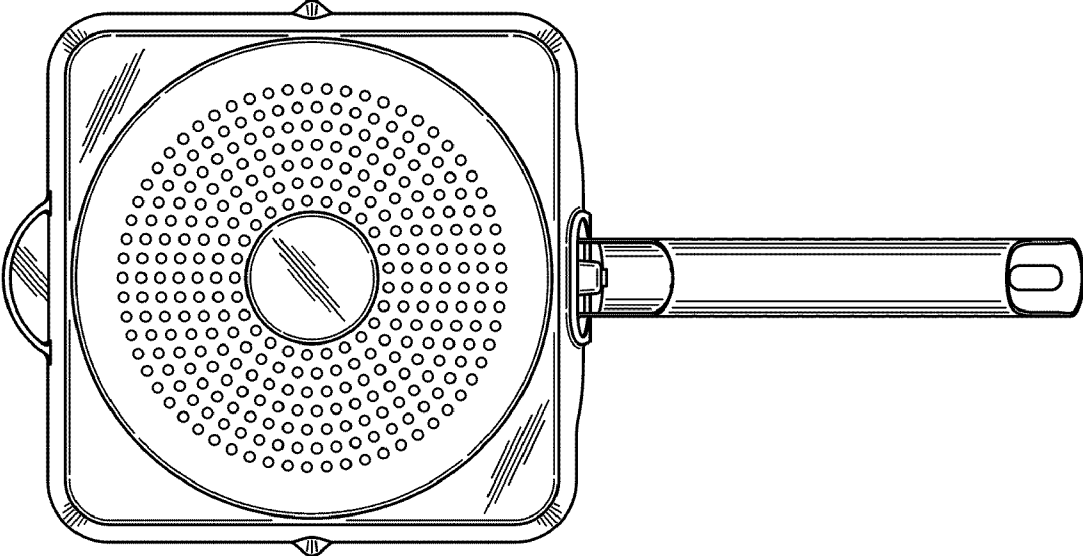


FIG. 7

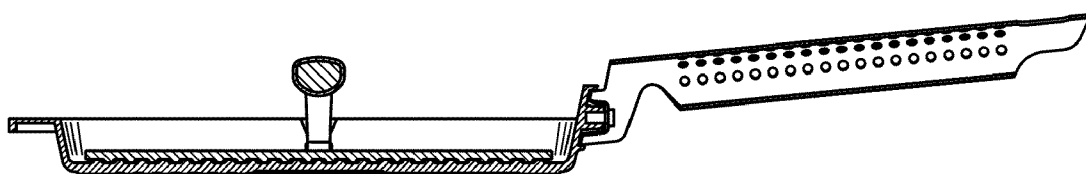


FIG. 8