



US00D825417S

(12) **United States Design Patent**  
**Zeng**

(10) **Patent No.:** **US D825,417 S**

(45) **Date of Patent:** **\*\* Aug. 14, 2018**

(54) **BRUSH GUARD FOR AUTOMOBILE**

(71) Applicant: **Sichuan Topfire Technology Co., Ltd.**,  
Chengdu, Sichuan (CN)

(72) Inventor: **Cheng Zeng**, Sichuan (CN)

(73) Assignee: **Sichuan Topfire Technology Co., Ltd.**,  
Chengdu, Sichuan (CN)

(\*\*) Term: **15 Years**

(21) Appl. No.: **29/589,845**

(22) Filed: **Jan. 5, 2017**

(51) **LOC (11) Cl.** ..... **12-16**

(52) **U.S. Cl.**  
USPC ..... **D12/172**

(58) **Field of Classification Search**  
USPC ..... D12/86, 90, 91, 92, 163, 169, 171, 196,  
D12/216

CPC ..... B60R 19/02; B60R 19/04; B62D 25/00;  
B62D 25/06; B62D 25/08

See application file for complete search history.

(56) **References Cited**

**U.S. PATENT DOCUMENTS**

D722,927 S *	2/2015	Schroeder	.....	D12/171
D726,605 S *	4/2015	Schroeder	.....	D12/171
D741,233 S *	10/2015	Glover	.....	D12/169
D744,384 S *	12/2015	Harriton	.....	D12/169
D744,386 S *	12/2015	Harriton	.....	D12/169
D744,387 S *	12/2015	Harriton	.....	D12/169
D749,995 S *	2/2016	Azadi	.....	D12/163
D760,133 S *	6/2016	Bennett	.....	D12/171
D775,013 S *	12/2016	Bennett	.....	D12/169

D775,016 S *	12/2016	Reynolds	.....	D12/171
D776,582 S *	1/2017	Bennett	.....	D12/169
D777,618 S *	1/2017	Setina	.....	D12/171
D777,619 S *	1/2017	Barajas	.....	D12/167
D781,193 S *	3/2017	McMath	.....	D12/196
D785,504 S *	5/2017	Higgs	.....	D12/91
D792,817 S *	7/2017	McMath	.....	D12/169
D792,818 S *	7/2017	McMath	.....	D12/169
D793,304 S *	8/2017	McMath	.....	D12/169
D794,519 S *	8/2017	McMath	.....	D12/169
D796,399 S *	9/2017	Steen	.....	D12/169
D800,036 S *	10/2017	Bennett	.....	D12/169
D800,226 S *	10/2017	Zeng	.....	D21/433
D801,892 S *	11/2017	Drever	.....	D12/171
2017/0088076 A1 *	3/2017	Fujimoto	.....	B60R 19/44
2017/0247014 A1 *	8/2017	Farooq	.....	B60R 19/12
2017/0349227 A1 *	12/2017	Spindler	.....	B62D 65/10

\* cited by examiner

*Primary Examiner* — Marianne N Pandozzi

*Assistant Examiner* — Suzanne E Tisdell

(57) **CLAIM**

The ornamental design for a brush guard for an automobile, as shown and described.

**DESCRIPTION**

FIG. 1 is a perspective view of a brush guard for an automobile, showing my new design.

FIG. 2 is a front view thereof.

FIG. 3 is a left view thereof.

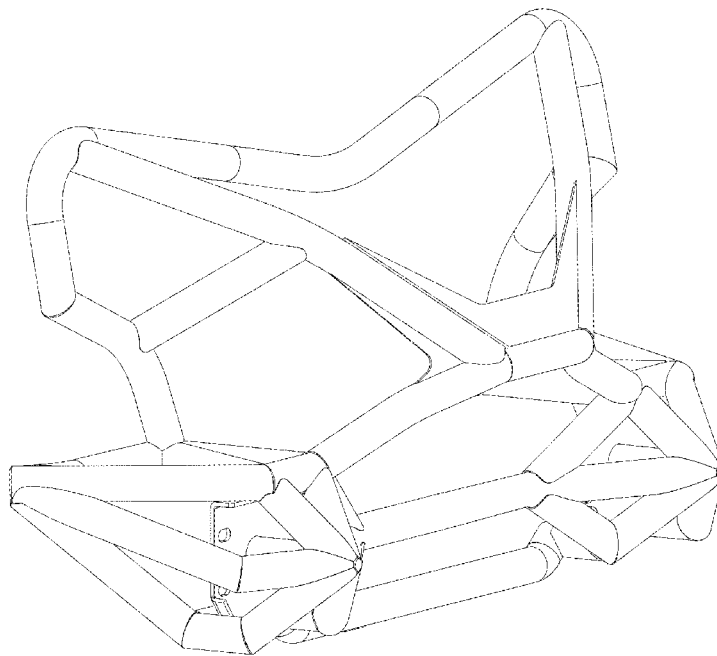
FIG. 4 is a right view thereof.

FIG. 5 is a top view thereof; and,

FIG. 6 is a bottom view thereof.

Feature shown in broken lines disclose environmental structures that form no part of the claimed design.

**1 Claim, 5 Drawing Sheets**



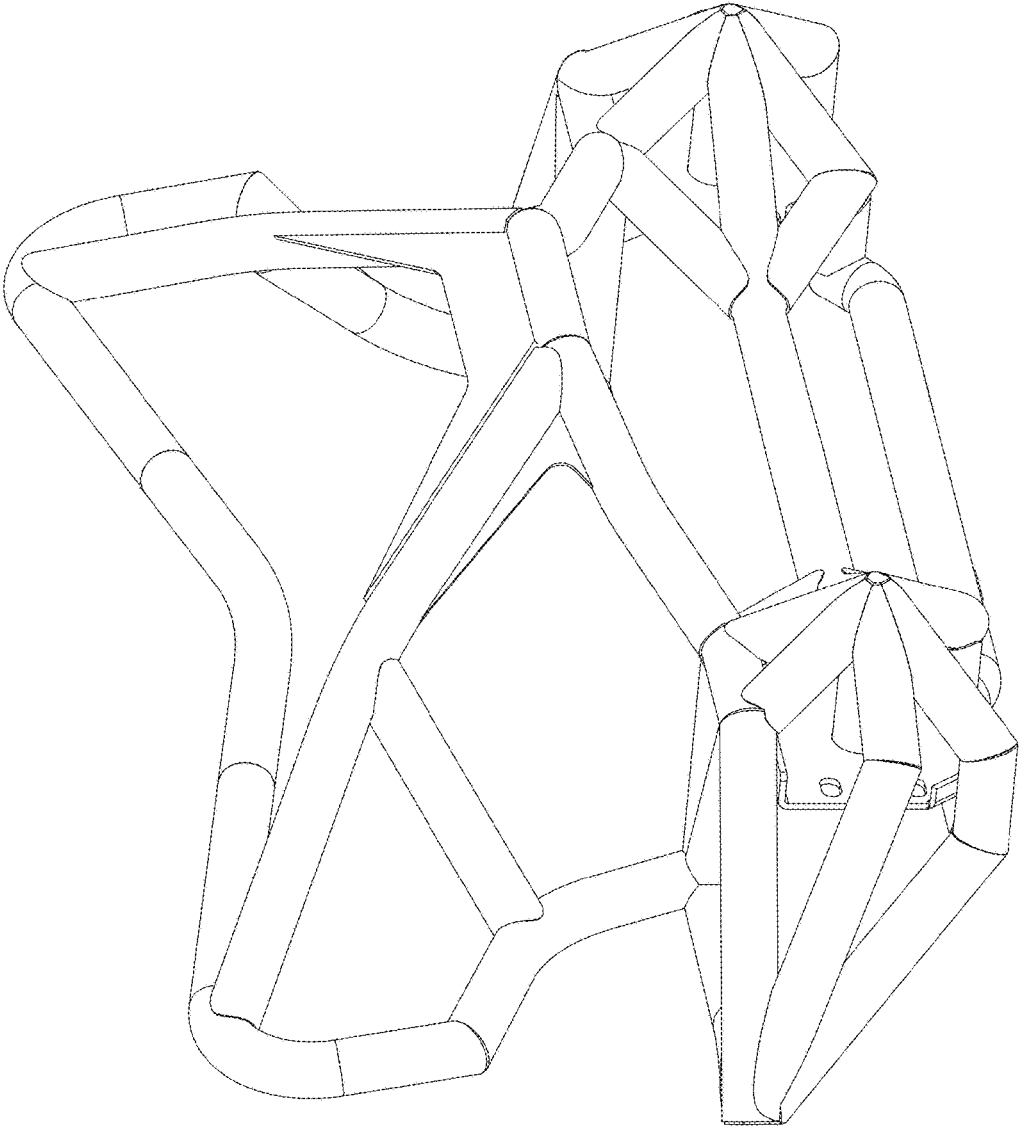


Fig. 1

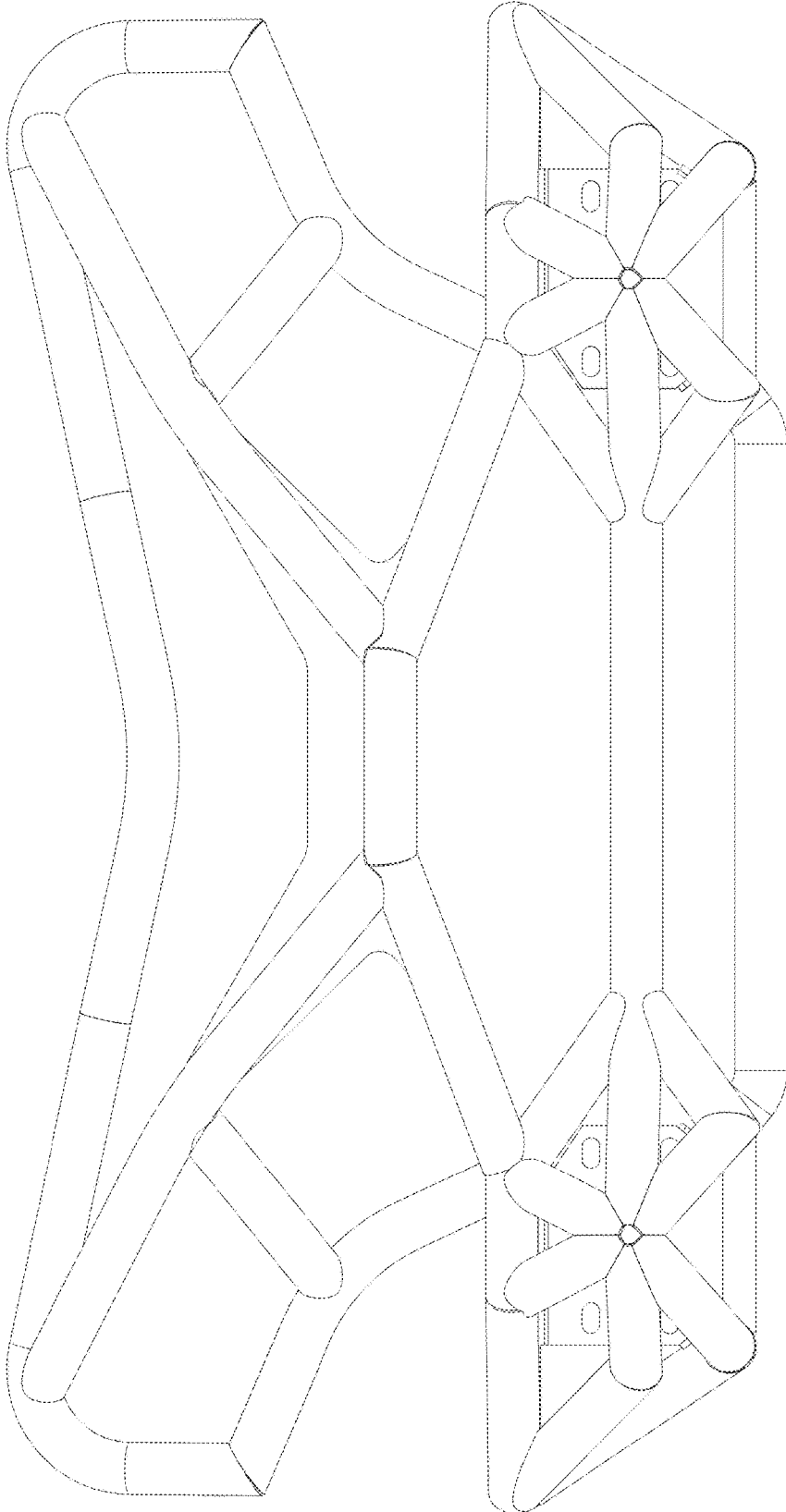


Fig. 2

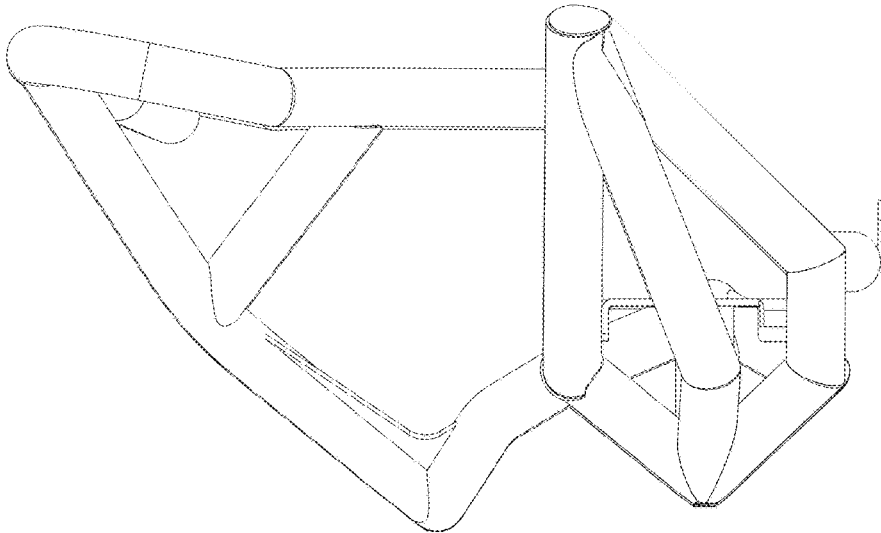


Fig. 4

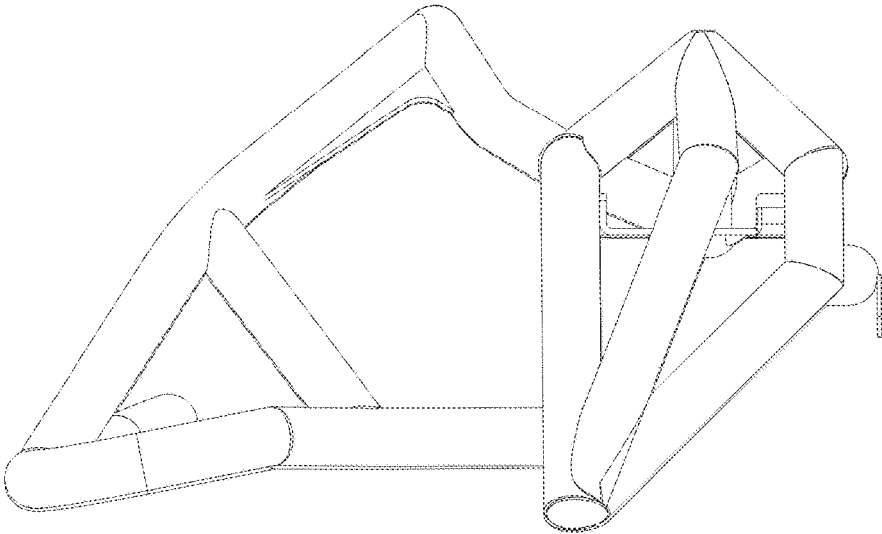


Fig. 3

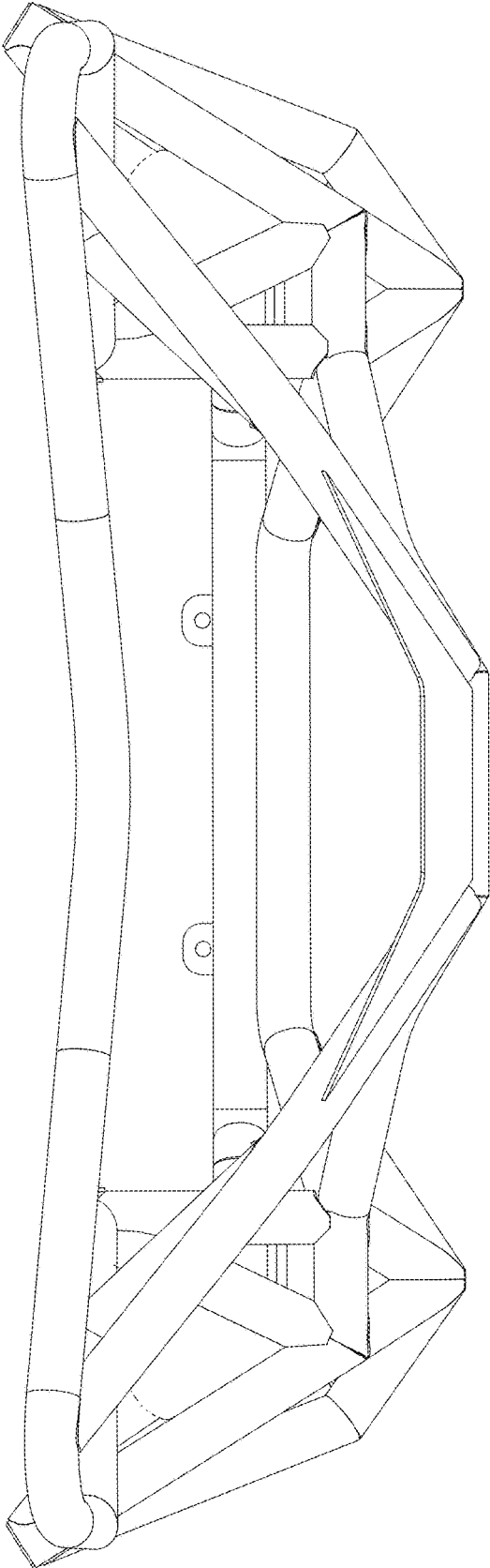


Fig. 5

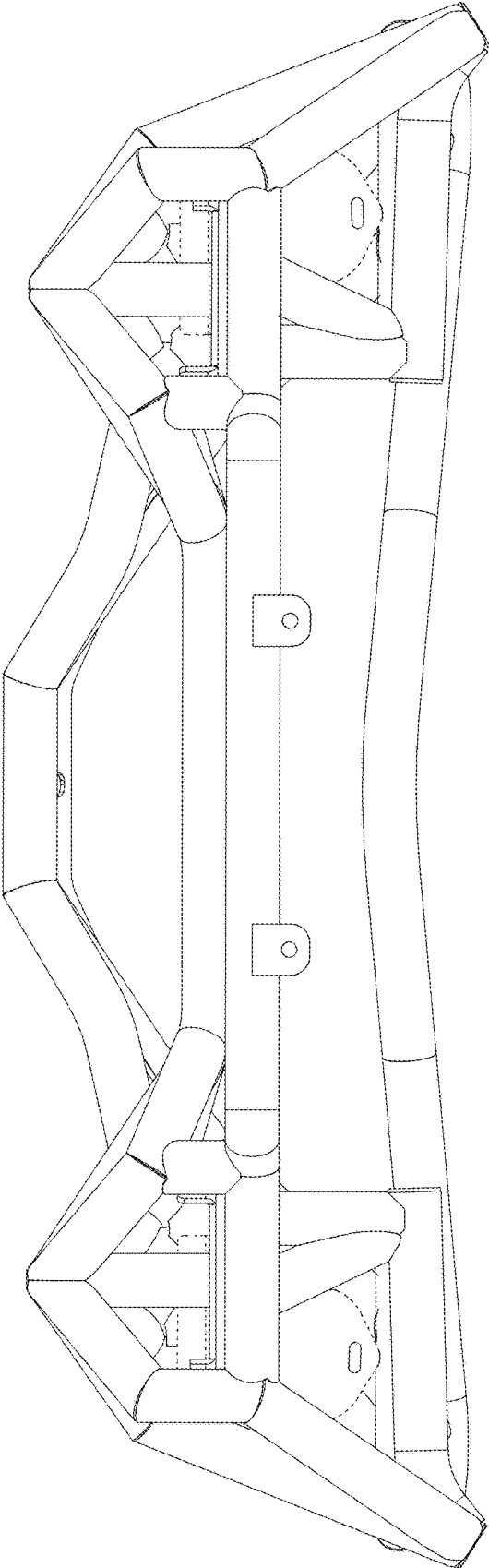


Fig. 6