



US00D440992S

(12) **United States Design Patent**
Parson et al.

(10) **Patent No.:** **US D440,992 S**

(45) **Date of Patent:** **** Apr. 24, 2001**

(54) **LAMINATOR**

(75) Inventors: **William E. Parson**, Indian Trail;
Matthew Shannon, Troutman; **David Edward Humphries**, Waxhaw, all of NC (US); **Daniel Leland Bragg**, Peachtree City, GA (US)

(73) Assignee: **D&K Laminex, Inc.**, Charlotte, NC (US)

(**) Term: **14 Years**

(21) Appl. No.: **29/125,335**

(22) Filed: **Jun. 22, 2000**

(51) **LOC (7) Cl.** **15-09**

(52) **U.S. Cl.** **D15/146**

(58) **Field of Search** D15/146, 145;
156/555, 580, 582, 583.1; 100/155 R, 160,
175

(56) **References Cited**

U.S. PATENT DOCUMENTS

- D. 267,327 * 12/1982 Shaffer D15/146
- D. 358,826 * 5/1995 Kuhns D15/146
- 6,131,636 * 10/2000 Anderson et al. 156/555

* cited by examiner

Primary Examiner—Antoine Duval Davis
(74) *Attorney, Agent, or Firm*—Wallenstein and Wagner, Ltd.

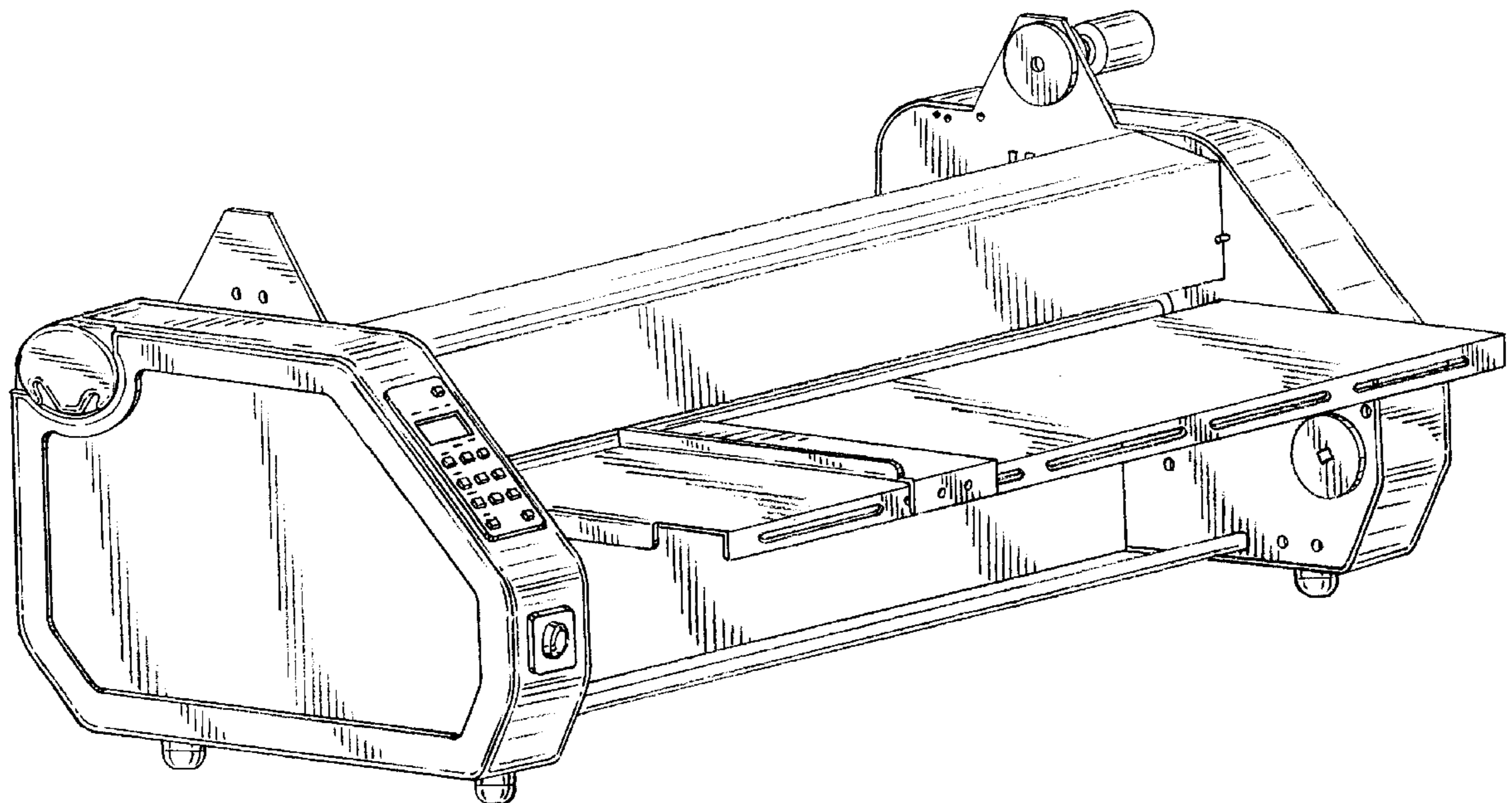
(57) **CLAIM**

The ornamental design for a laminator, as shown and described.

DESCRIPTION

FIG. 1 is a perspective view of a laminator showing our new design;
 FIG. 2 is a top plan view thereof;
 FIG. 3 is a bottom plan view thereof;
 FIG. 4 is a left side elevational view thereof;
 FIG. 5 is a right side elevational view thereof;
 FIG. 6 is a front view thereof;
 FIG. 7 is a rear view thereof;
 FIG. 8 is a perspective view of an alternative embodiment of a laminator showing our new design;
 FIG. 9 is a top plan view thereof;
 FIG. 10 is a bottom plan view thereof;
 FIG. 11 is a left side elevational view thereof;
 FIG. 12 is a right side elevational view thereof;
 FIG. 13 is a front view thereof; and,
 FIG. 14 is a rear view thereof.

1 Claim, 10 Drawing Sheets



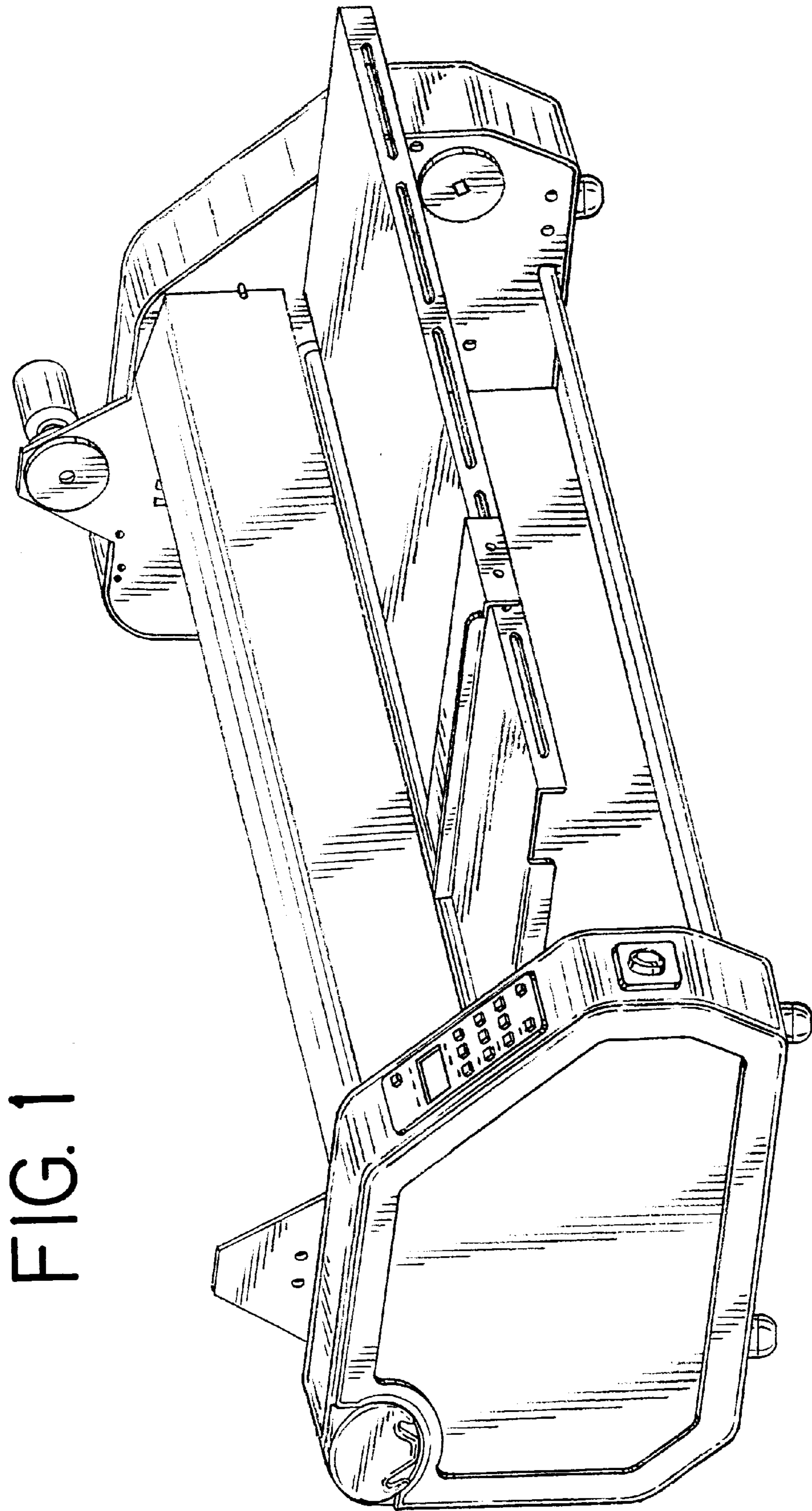


FIG. 1

FIG. 2

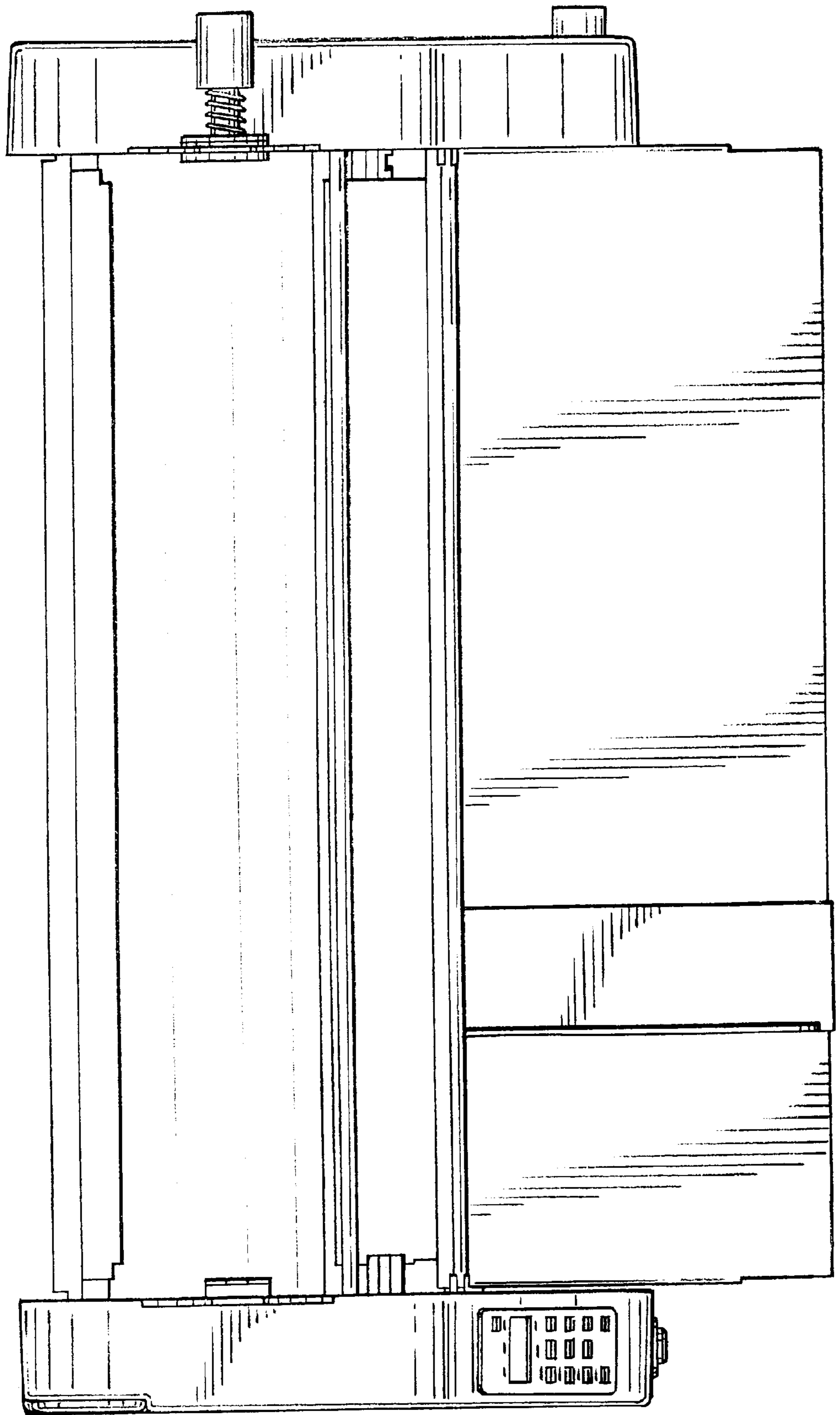


FIG. 3

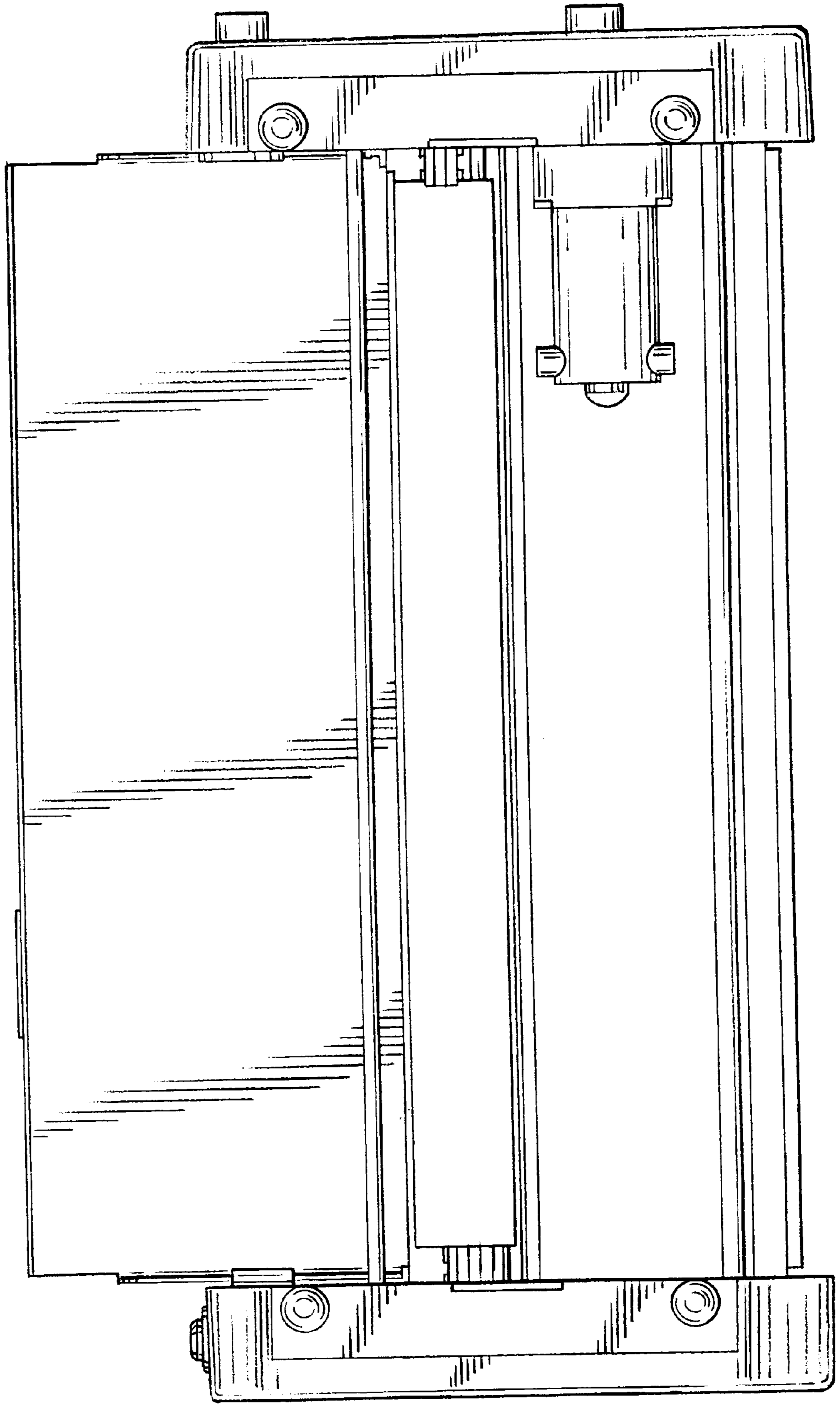


FIG. 4

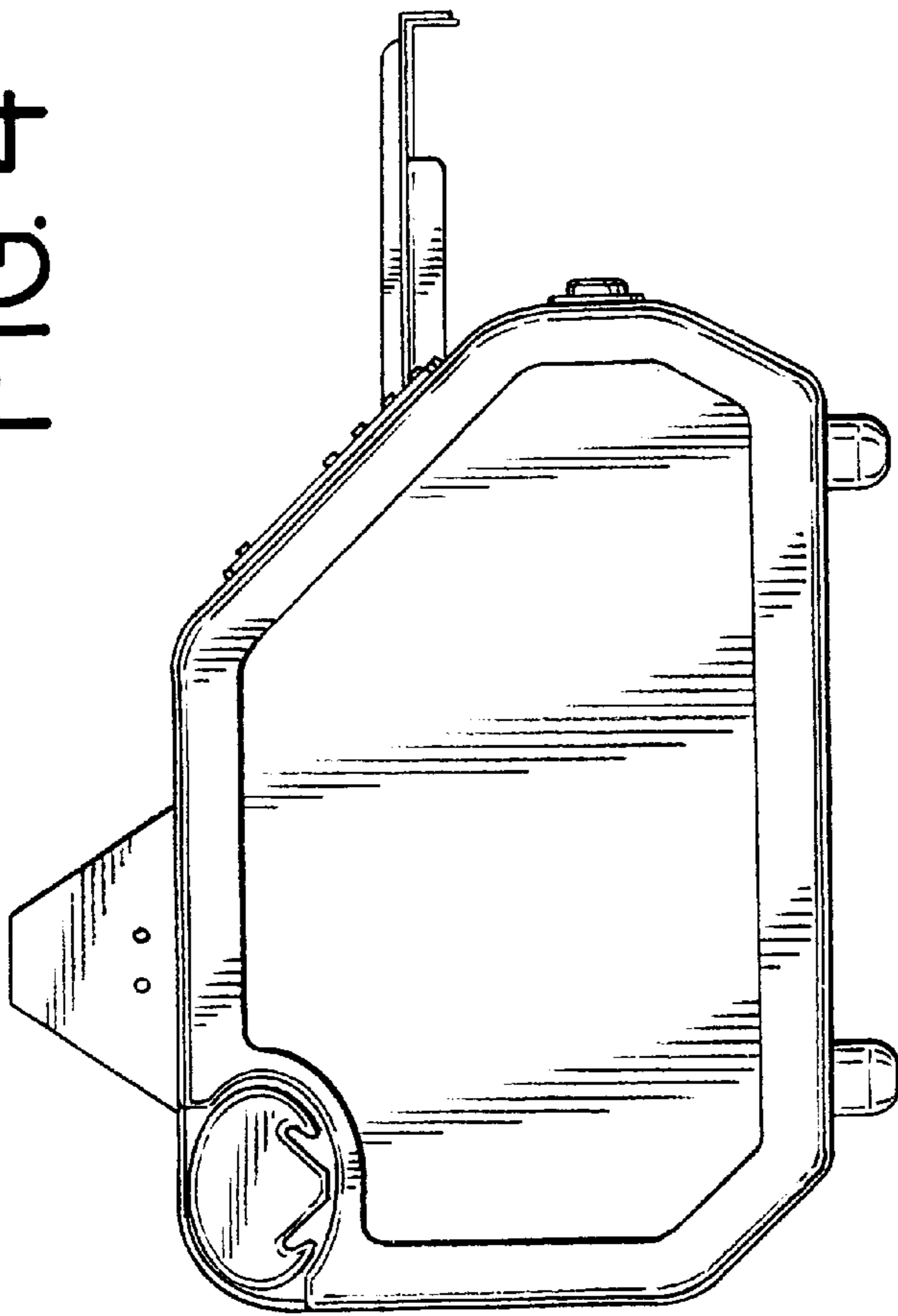
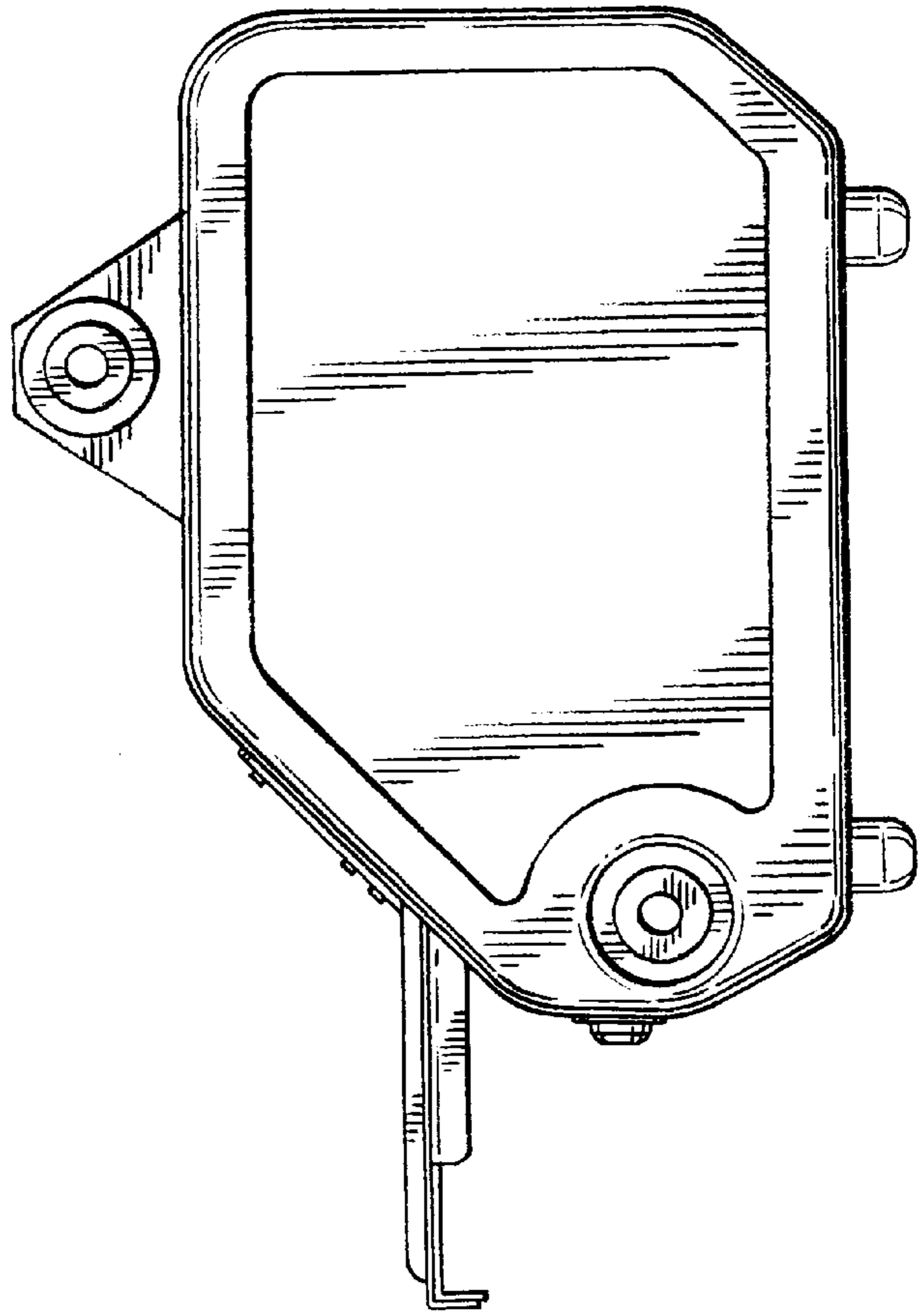


FIG. 5



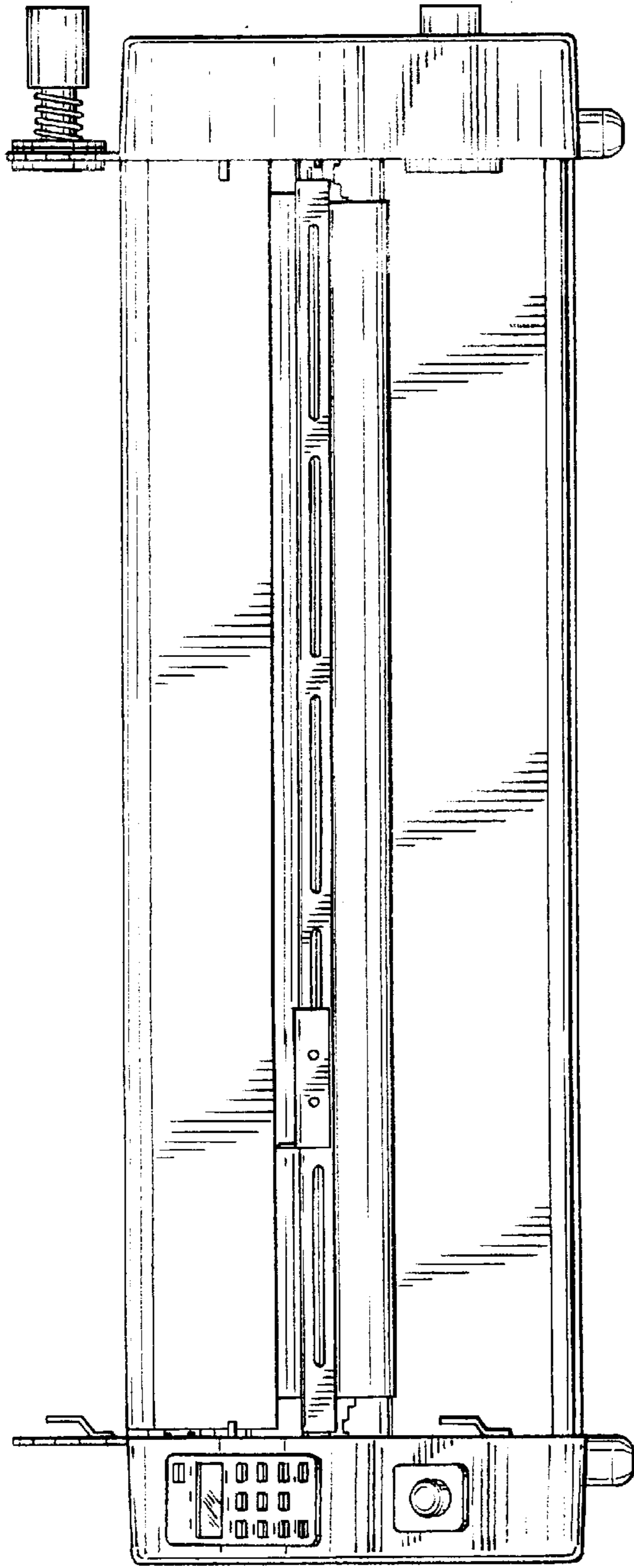


FIG. 6

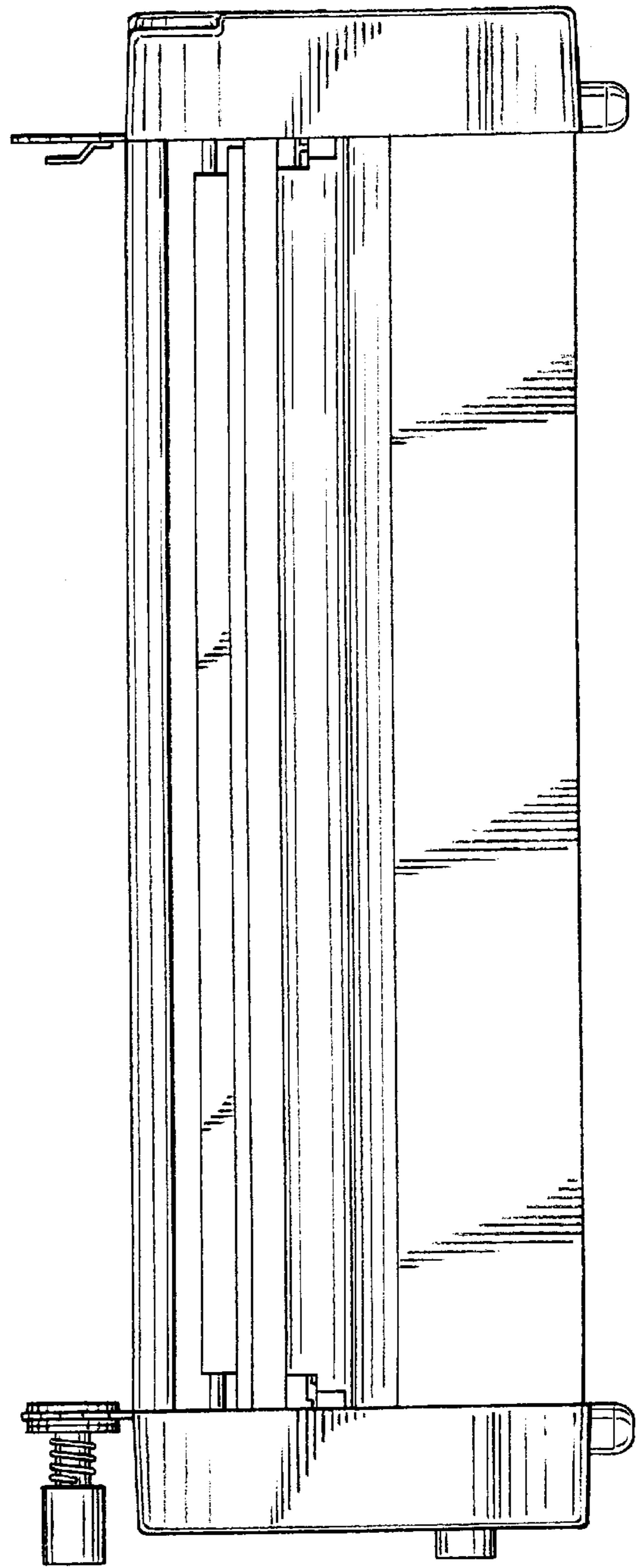


FIG. 7

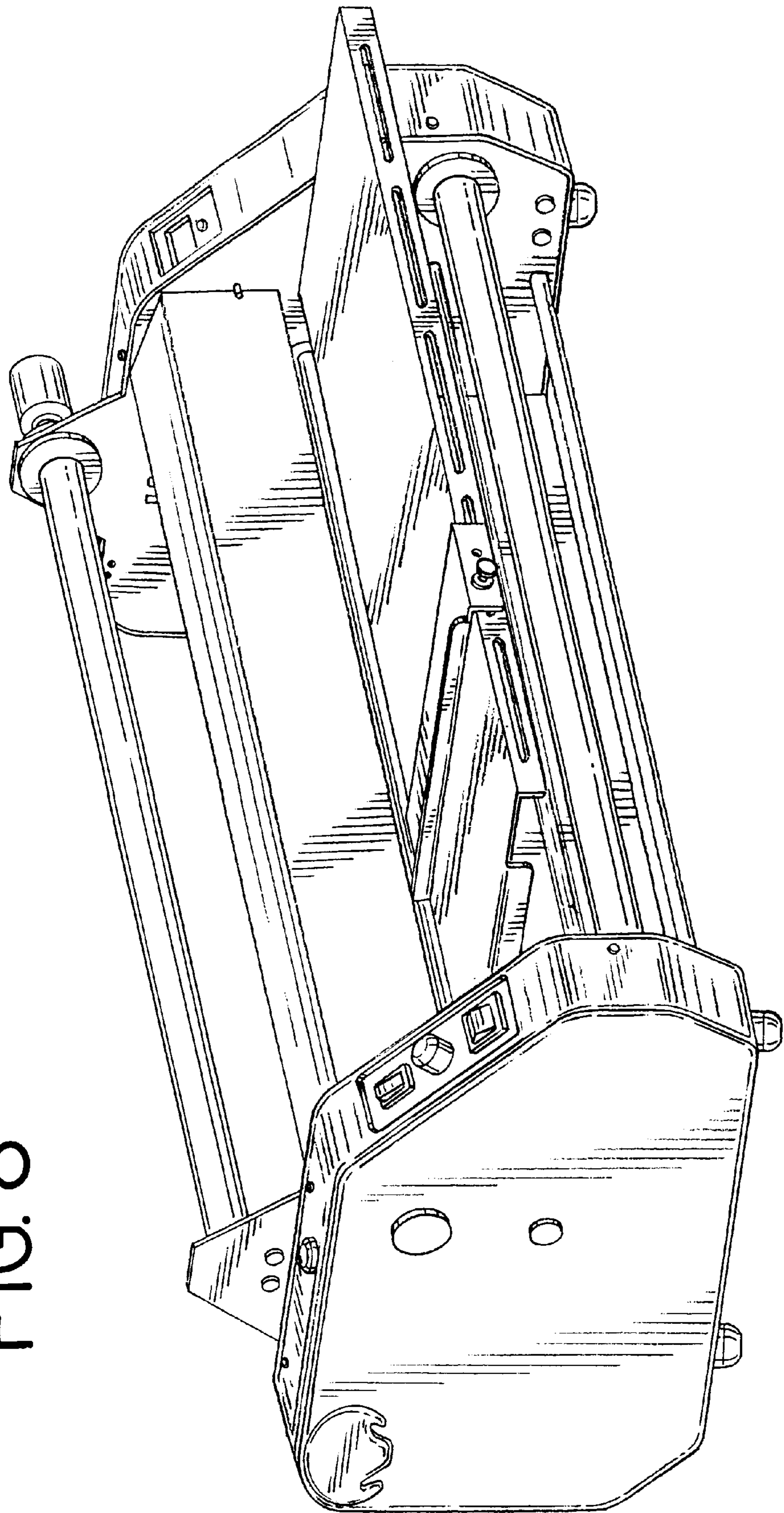


FIG. 8

FIG. 9

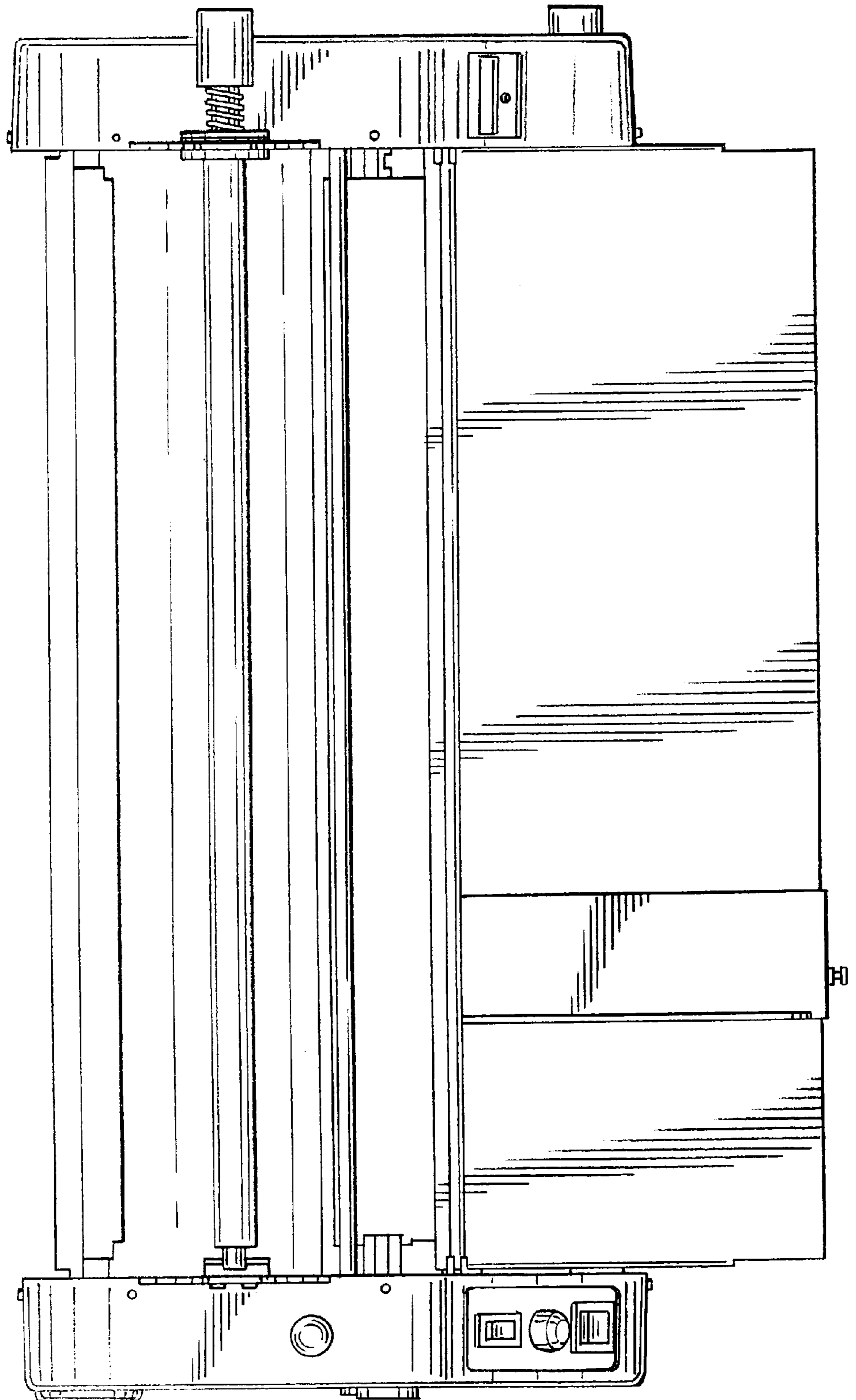


FIG. 10

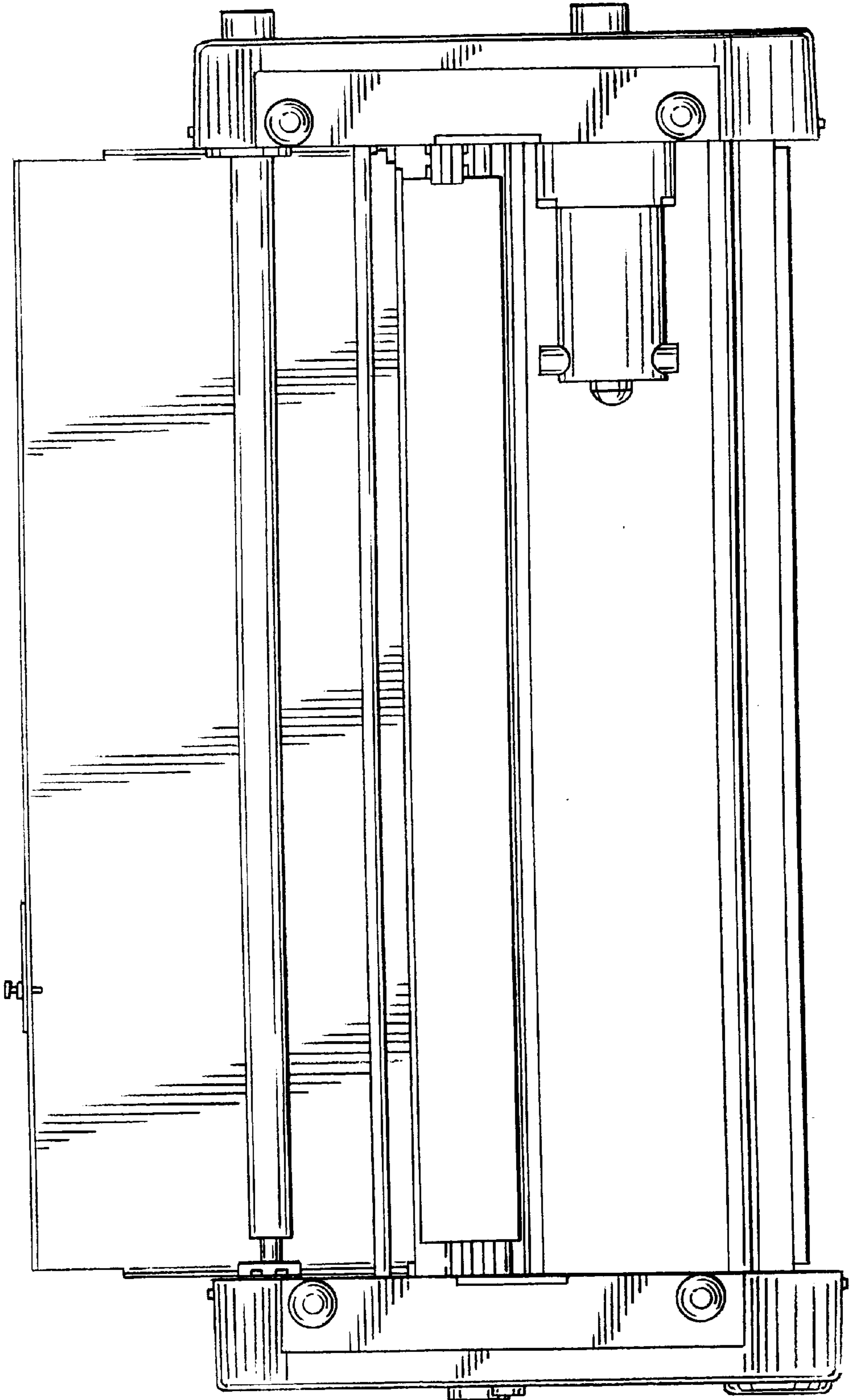


FIG. 11

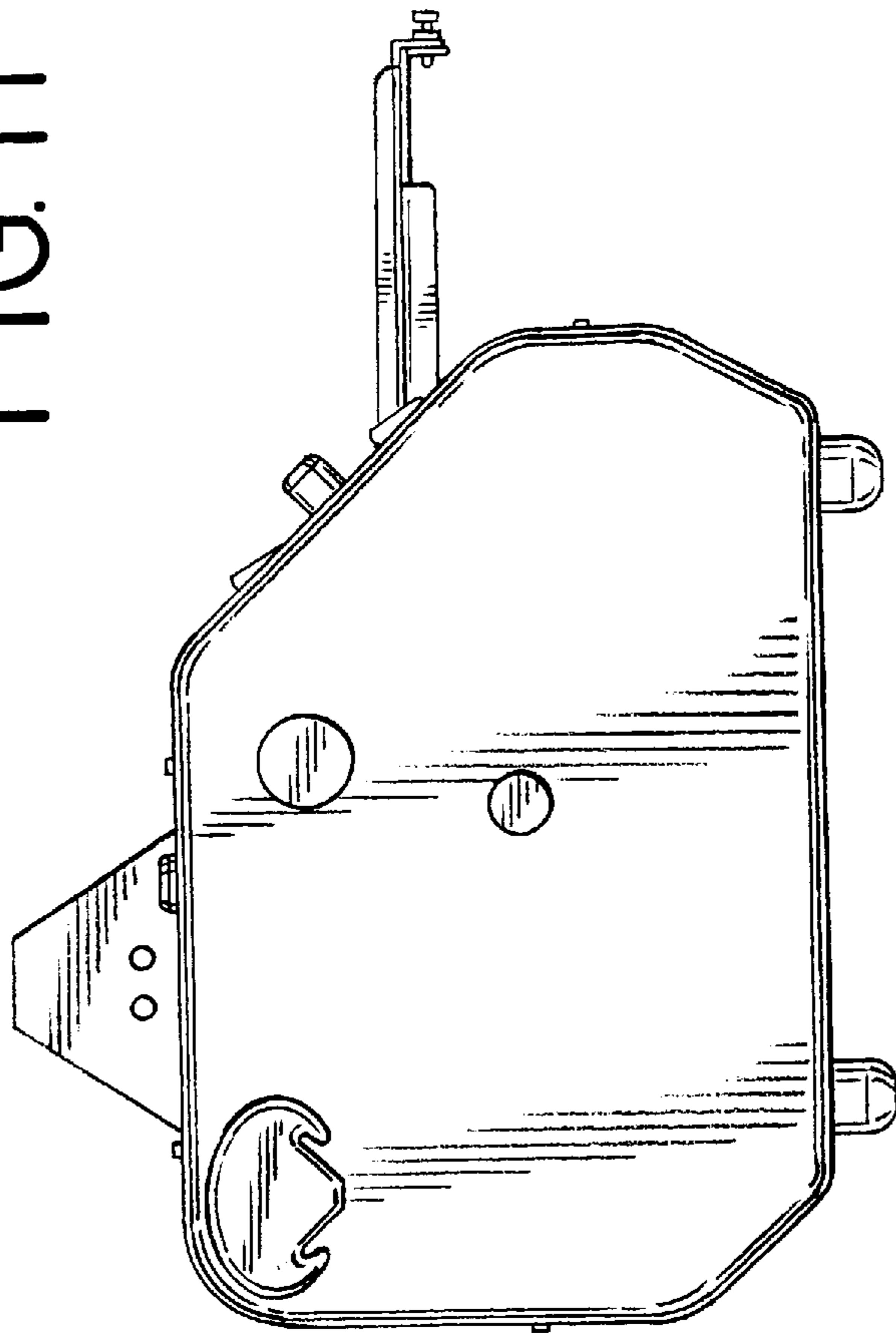
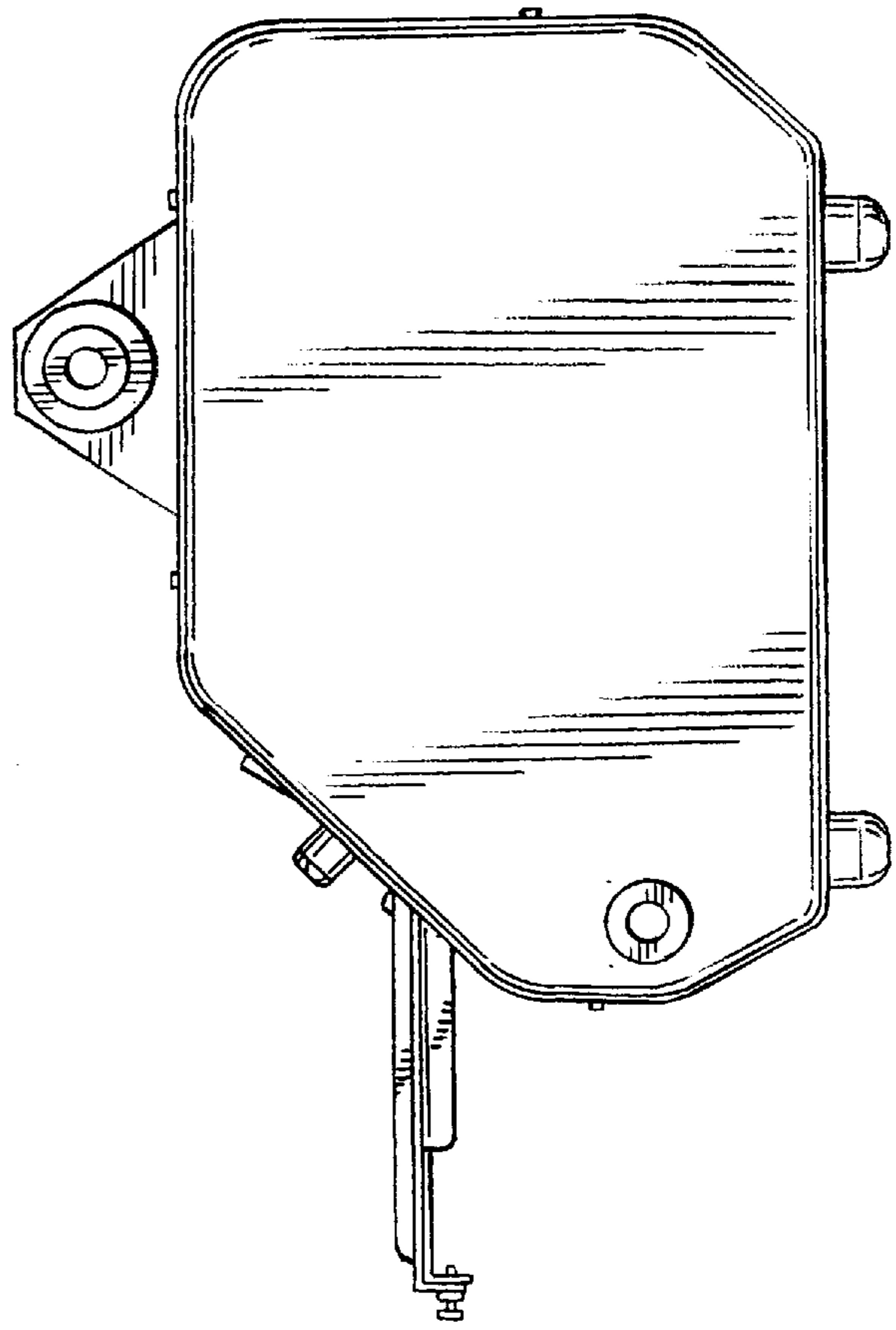


FIG. 12



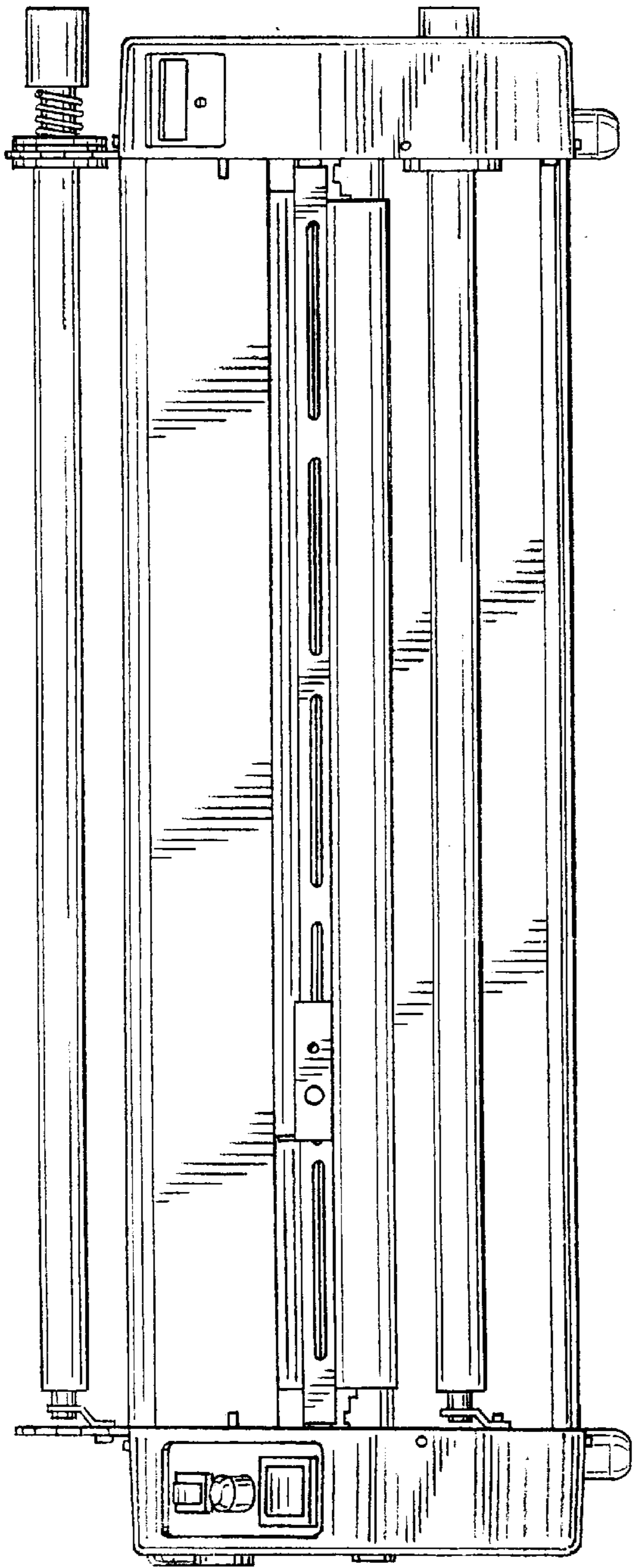


FIG. 13

FIG. 14

