



US00D725660S

(12) **United States Design Patent**
Trotsky

(10) **Patent No.:** **US D725,660 S**

(45) **Date of Patent:** **** Mar. 31, 2015**

(54) **MOBILE DEVICE GRIP**

- (71) Applicant: **Octa LLC**, Denver, CO (US)
- (72) Inventor: **Kevin Trotsky**, Denver, CO (US)
- (**) Term: **14 Years**

(21) Appl. No.: **29/448,751**

(22) Filed: **Mar. 13, 2013**

(51) **LOC (10) Cl.** **08-07**

(52) **U.S. Cl.**
USPC **D14/447**

(58) **Field of Classification Search**

USPC D14/137, 140, 140.8, 142, 204, 209.1,
 D14/217, 221, 243-256, 434, 440, 444-447,
 D14/238.1; D8/400-404, 499, 363, 373,
 D8/355; D2/861; D3/215, 218, 304, 269,
 D3/201, 294; D6/467, 300, 310, 553-574;
 D25/318; 292/342, 343; 248/188.2;
 348/373, 376; D12/415, 411, 114, 407,
 D12/223; D19/87, 90; 455/573, 575.1,
 455/575.9; D16/208, 211, 237, 204

See application file for complete search history.

(56) **References Cited**

U.S. PATENT DOCUMENTS

1,071,428	A	8/1913	Jones
4,580,751	A	4/1986	Panzer
5,087,005	A	2/1992	Holoff et al.
5,133,076	A	7/1992	Hawkins et al.
5,915,661	A	6/1999	Silverman et al.
5,979,940	A	11/1999	Araghi
6,308,923	B1	10/2001	Howard
6,646,864	B2	11/2003	Richardson
6,648,285	B1	11/2003	Woollen
6,666,420	B1	12/2003	Carnevali
6,672,558	B2	1/2004	Li
6,788,527	B2	9/2004	Doczy et al.
6,856,506	B2	2/2005	Doherty et al.
7,021,593	B1	4/2006	Fan
7,150,538	B2	12/2006	Horst

(Continued)

OTHER PUBLICATIONS

International Search Report for International (PCT) App. No. PCT/US2011/045921, mailed Jan. 19, 2012, 5 pages.

(Continued)

Primary Examiner — Susan Bennett Hattan

Assistant Examiner — Janice Hallmark

(74) *Attorney, Agent, or Firm* — Sheridan Ross P.C.

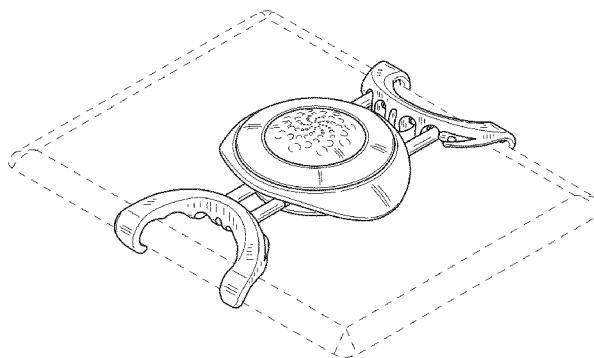
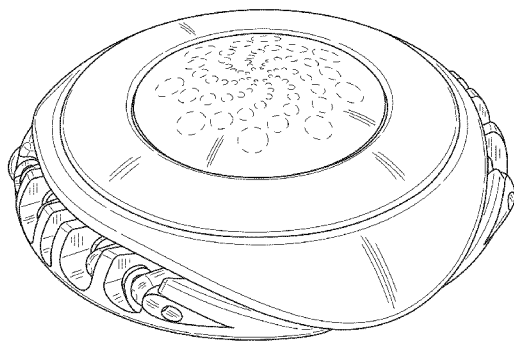
(57) **CLAIM**

The ornamental design for mobile device grip, as shown and described.

DESCRIPTION

FIG. 1 is a perspective view of a the mobile device grip showing the new design;
 FIG. 2 is a front elevation view thereof;
 FIG. 3 is a rear elevation view thereof;
 FIG. 4 is a right elevation view thereof;
 FIG. 5 is a left elevation view thereof;
 FIG. 6 is a top plan view thereof;
 FIG. 7 is a bottom plan view thereof;
 FIG. 8 is a perspective view showing the mobile device grip interconnected to a mobile device wherein the arms thereof are in a second position of use;
 FIG. 9 is a top plan view of FIG. 8;
 FIG. 10 is a front elevation view of FIG. 8;
 FIG. 11 is a perspective view showing the mobile device grip interconnected to a mobile device wherein the arms thereof are in a second position of use, and wherein the mobile device grip is interconnected to a supporting means; and,
 FIG. 12 is a perspective view showing the mobile device grip interconnected to a mobile device wherein the arms thereof are in a second position of use, and wherein the mobile device grip is interconnected to a supporting means.
 The evenly spaced dash-dash broken lines in FIGS. 8 to 12 represent unclaimed environment; all other broken lines in FIGS. 1 to 12 show portions of the mobile device grip that form no part of the claimed design.

1 Claim, 10 Drawing Sheets



(56)

References Cited

U.S. PATENT DOCUMENTS

D548,688 S * 8/2007 Fee et al. D13/107
 D554,847 S 11/2007 Schmelzer et al.
 7,312,984 B2 12/2007 Richardson et al.
 7,343,184 B2 3/2008 Rostami
 D570,836 S * 6/2008 Chen D14/253
 7,380,759 B1 6/2008 Whiteside et al.
 7,453,436 B2 11/2008 Ruiz
 D592,188 S * 5/2009 Huang D14/217
 D594,404 S * 6/2009 Kuo et al. D13/107
 7,564,679 B2 7/2009 Chen et al.
 D600,907 S 9/2009 Boyd et al.
 7,588,331 B2 9/2009 Burnstein
 7,612,997 B1 11/2009 Diebel et al.
 7,634,082 B2 12/2009 Medhin
 7,635,111 B2 12/2009 Hara et al.
 7,661,638 B2 2/2010 Yu
 7,673,914 B2 3/2010 Liao
 7,675,609 B2 3/2010 Hinchliff et al.
 7,698,836 B2 4/2010 Schmelzer et al.
 D615,078 S 5/2010 Bradley
 7,729,493 B2 6/2010 Krieger et al.
 D637,593 S * 5/2011 Zanetti D14/253
 D645,818 S * 9/2011 Guccione et al. D13/108
 8,066,241 B2 11/2011 Yu et al.
 D652,836 S * 1/2012 Voorhees D14/447
 D656,895 S * 4/2012 Fitch D13/108
 D660,306 S * 5/2012 Voorhees D14/447
 8,240,628 B2 8/2012 Huang
 8,294,014 B2 * 10/2012 Voorhees 84/453
 D673,960 S * 1/2013 Lindfield et al. D14/447
 D674,804 S * 1/2013 Cote D14/447
 8,413,943 B1 4/2013 Li
 D687,440 S * 8/2013 Shieh D14/447
 8,550,317 B2 * 10/2013 Hyseni 224/197
 8,672,374 B1 * 3/2014 Webber 294/25
 D703,657 S * 4/2014 Carnevali D14/253
 2004/0226973 A1 11/2004 Kao

2005/0101182 A1 5/2005 Nakamura et al.
 2005/0200608 A1 9/2005 Ulla et al.
 2007/0262223 A1 11/2007 Wang et al.
 2008/0217493 A1 9/2008 Bevirt
 2009/0050658 A1 2/2009 Boyd et al.
 2009/0205759 A1 8/2009 Vaccarella
 2010/0047604 A1 2/2010 Stratton-Metzger
 2010/0096517 A1 4/2010 Lampman et al.
 2010/0123062 A1 5/2010 Jones et al.
 2010/0220992 A1 9/2010 Bevirt
 2010/0221062 A1 9/2010 Bevirt
 2010/0294908 A1 11/2010 Mish et al.
 2010/0296235 A1 11/2010 Takemasa et al.
 2011/0279959 A1 11/2011 Lopez
 2012/0025684 A1 2/2012 Trotsky
 2012/0074272 A1 3/2012 Hull
 2012/0104185 A1 5/2012 Carroll
 2013/0187020 A1 7/2013 Trotsky
 2013/0206942 A1 8/2013 Trotsky

OTHER PUBLICATIONS

Written Opinion for International (PCT) App. No. PCT/US2011/045921, mailed Jan. 19, 2012, 7 pages.

International Preliminary Report on Patentability for International (PCT) Patent Application No. PCT/US2011/045921, mailed Feb. 7, 2013 9 pages.

Notice of Allowance (with English translation) for Chinese Patent Application No. 201330240914.1 dated Oct. 31, 2013, 5 pages.

Official Action (with English translation) for Korean Patent Application No. 30-2013-0029825 dated Nov. 5, 2013, 4 pages.

Official Action for U.S. Appl. No. 13/710,450 mailed Dec. 20, 2013, 8 pages.

Notice of Allowance (with English translation) for Japanese Patent Application No. 2013-013088 mailed Jan. 24, 2014, 2 pages.

Official Action for U.S. Appl. No. 13/710,450 mailed Feb. 14, 2014, 11 pages.

* cited by examiner

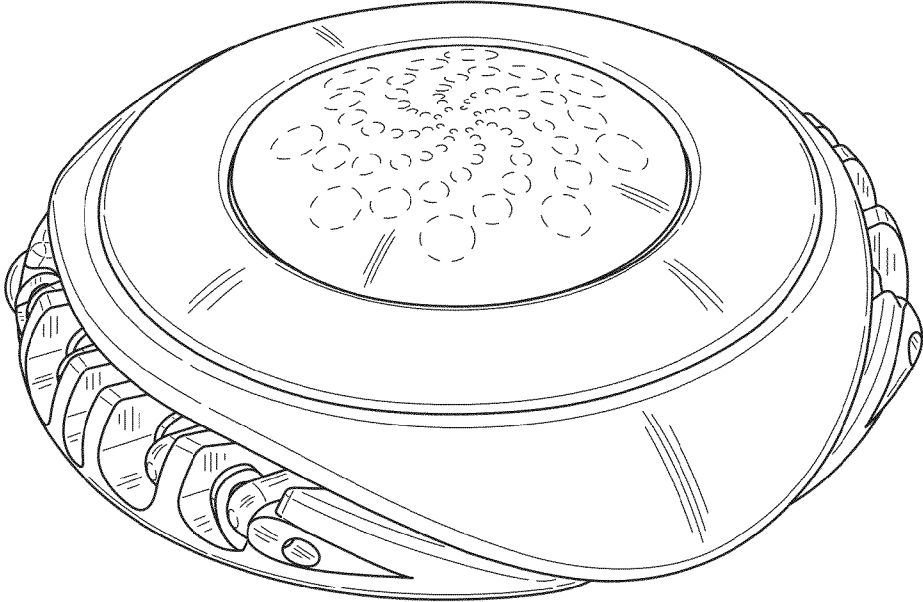


FIG.1

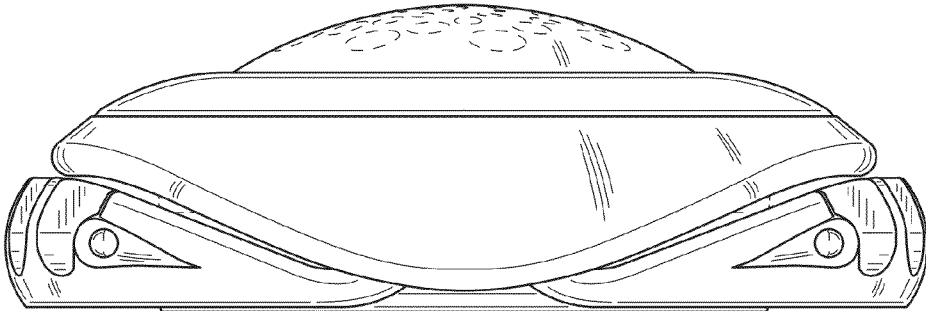


FIG. 2

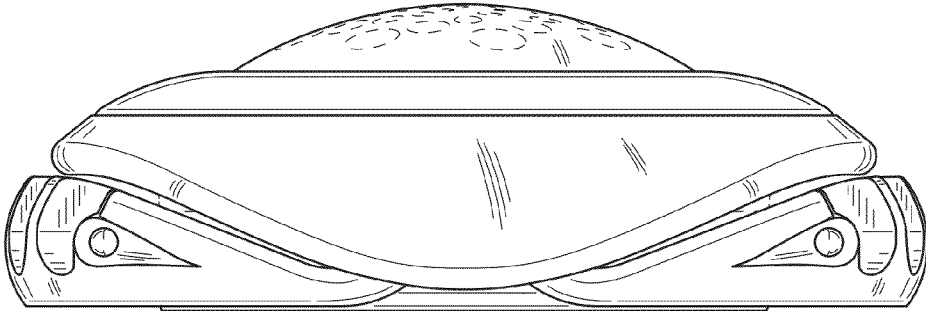


FIG. 3

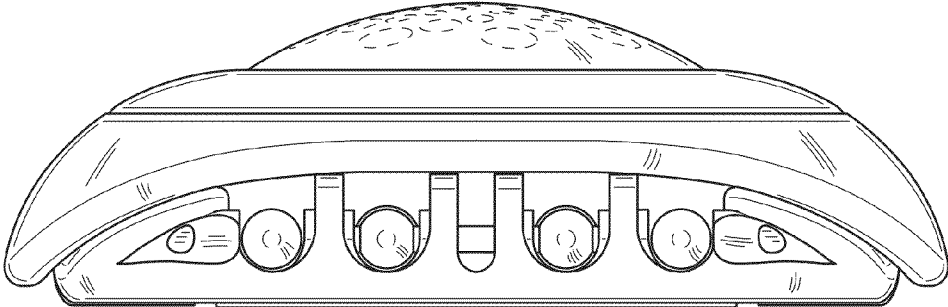


FIG.4

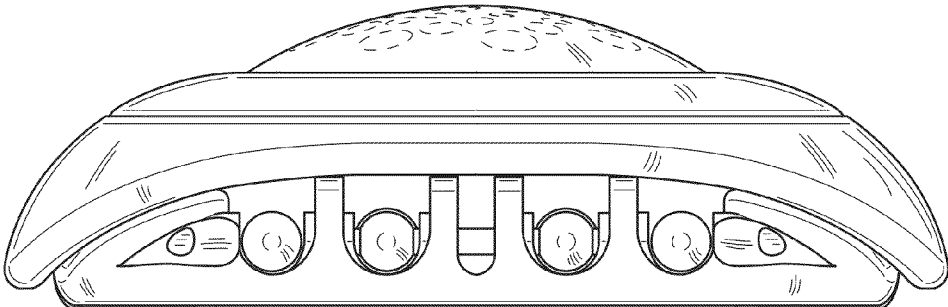


FIG.5

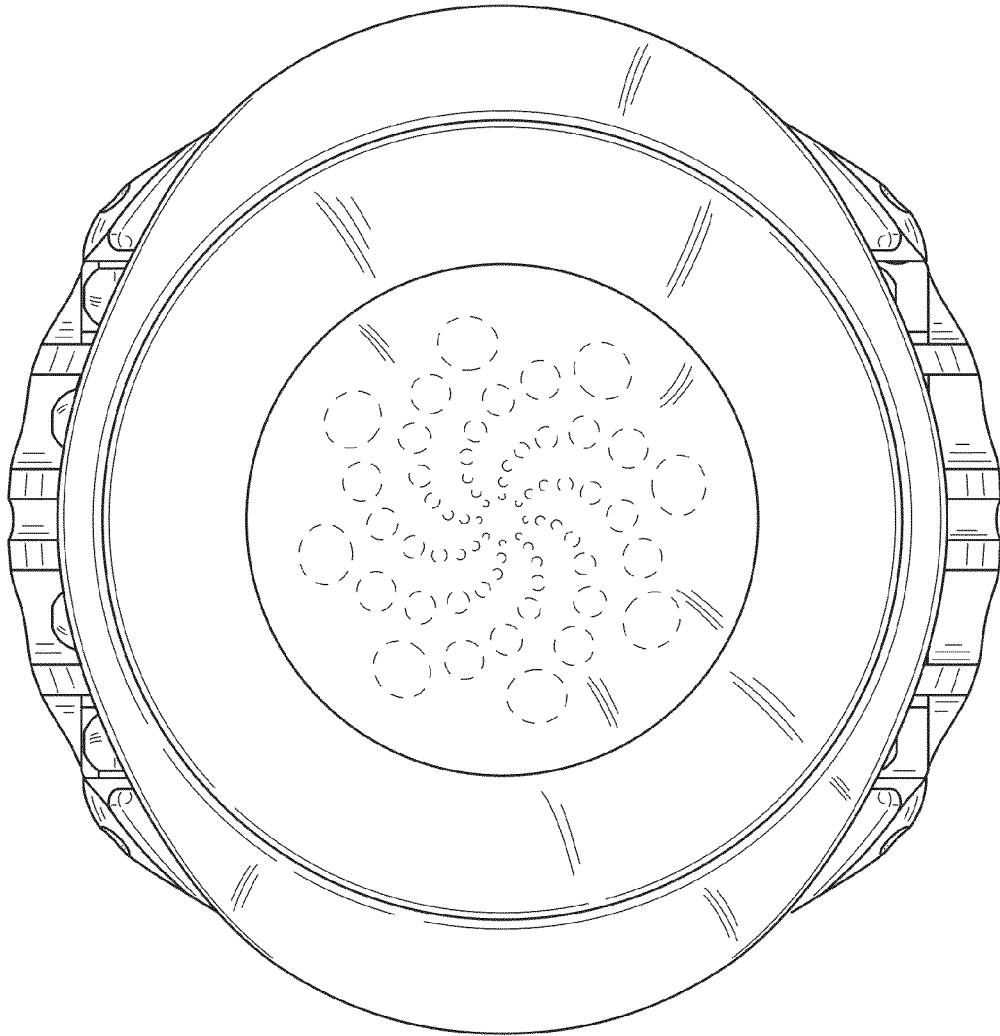


FIG.6

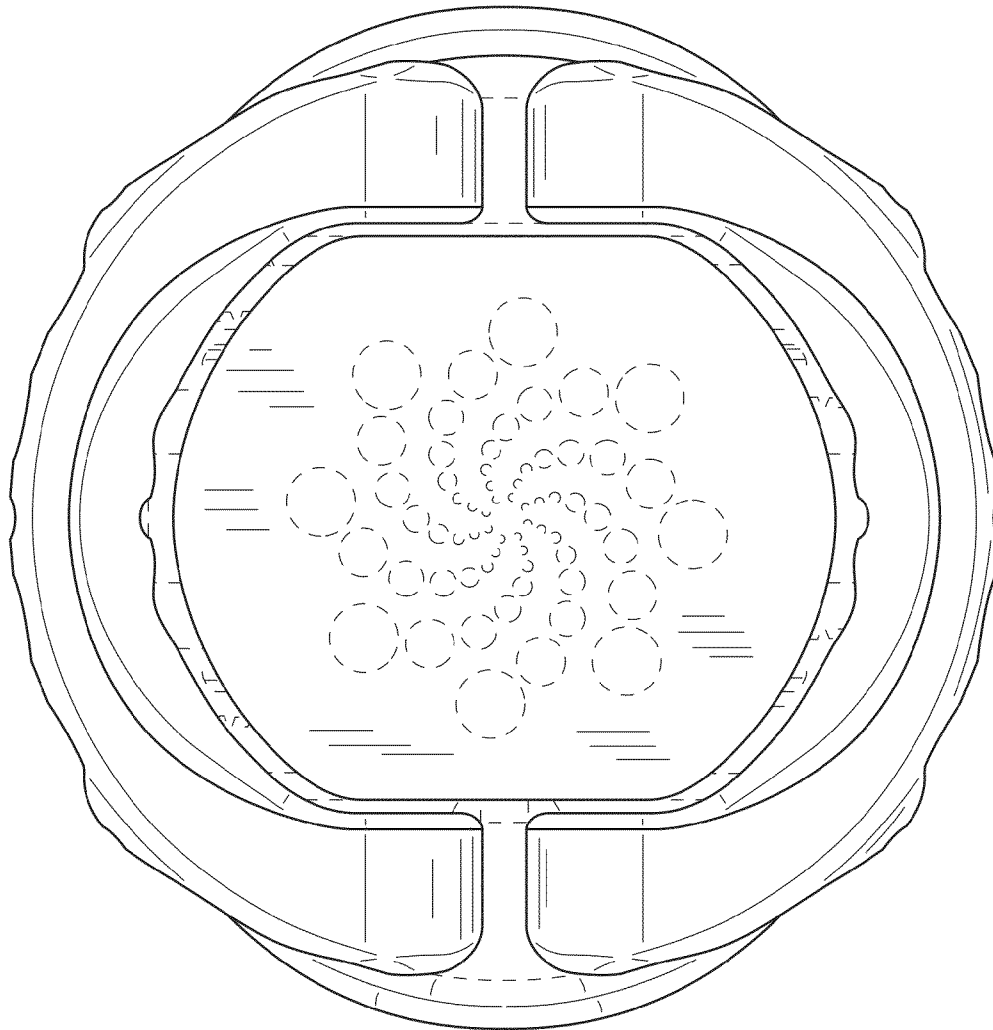


FIG.7

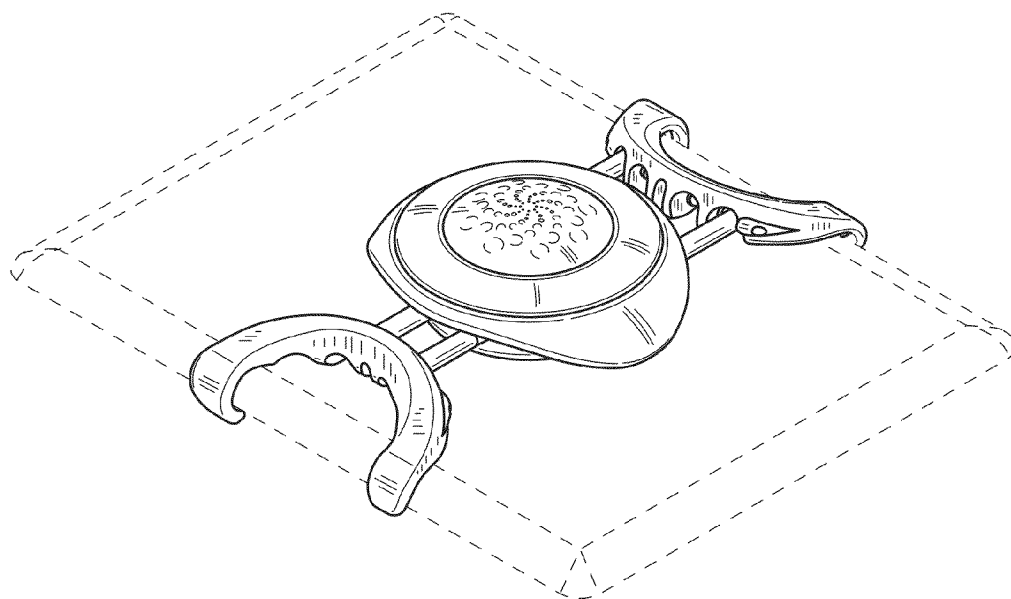


FIG.8

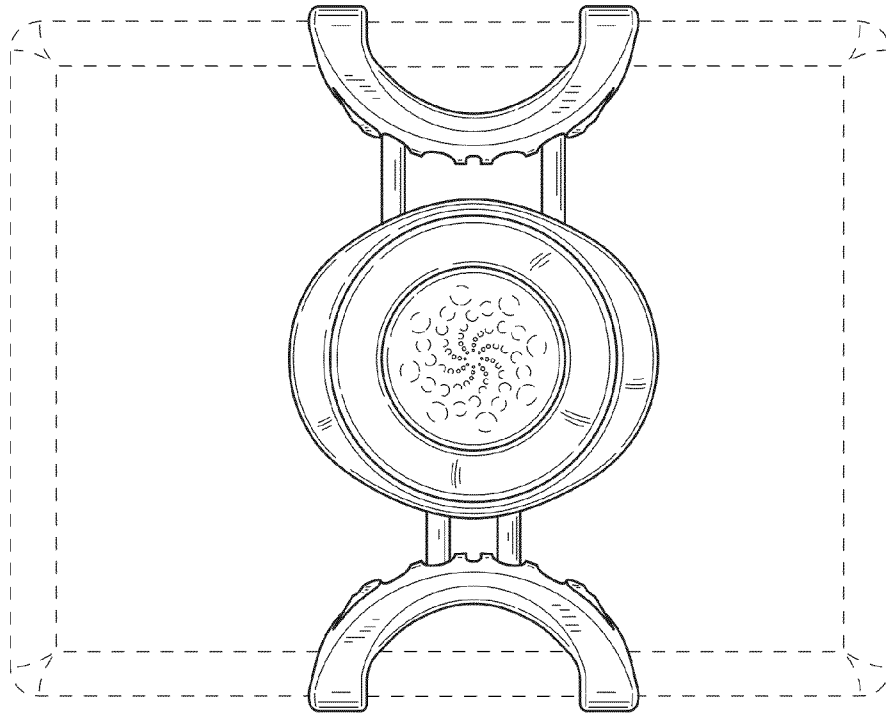


FIG.9

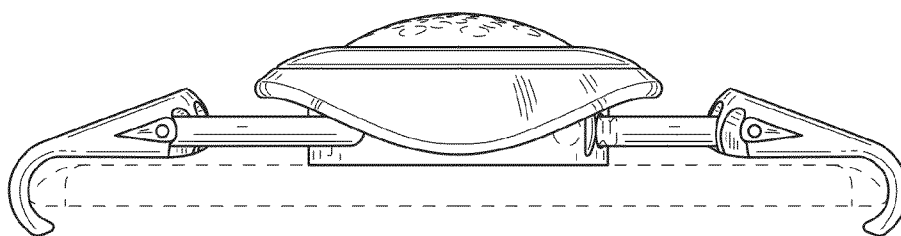


FIG.10

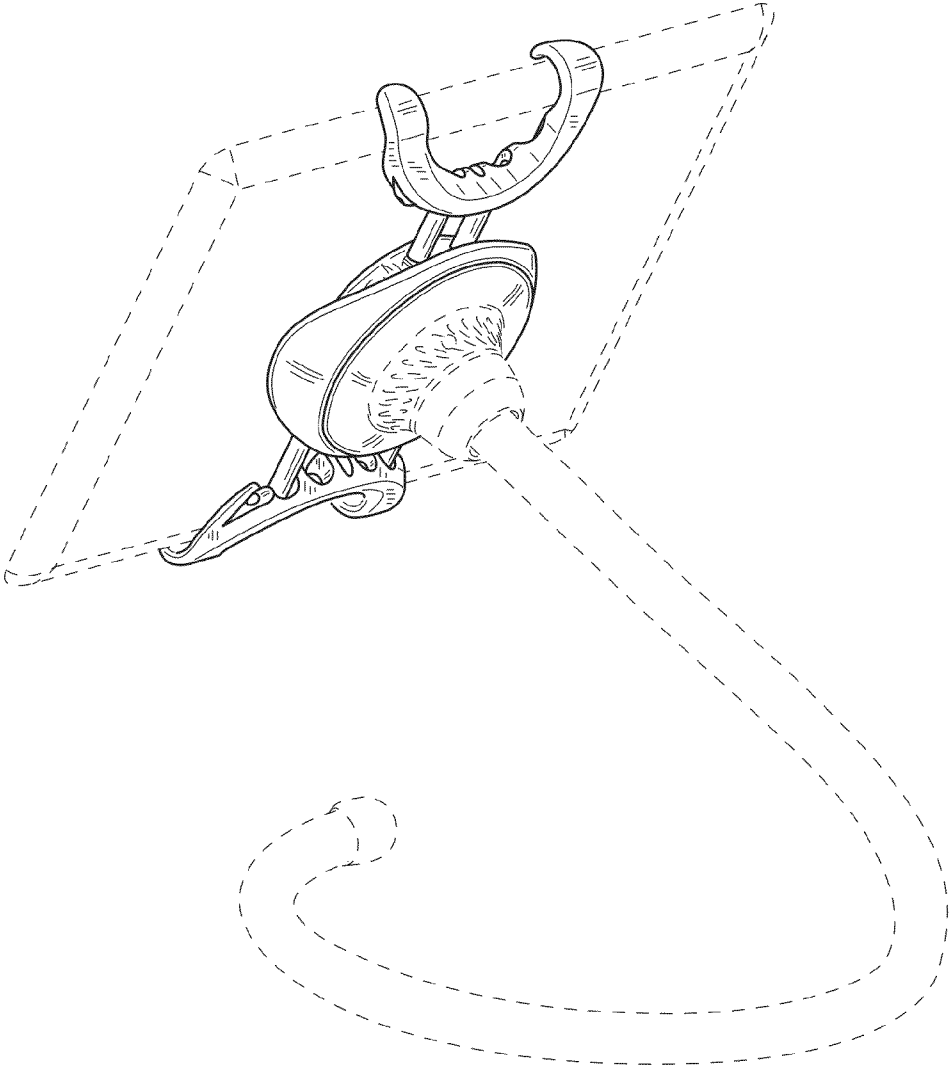


FIG.11

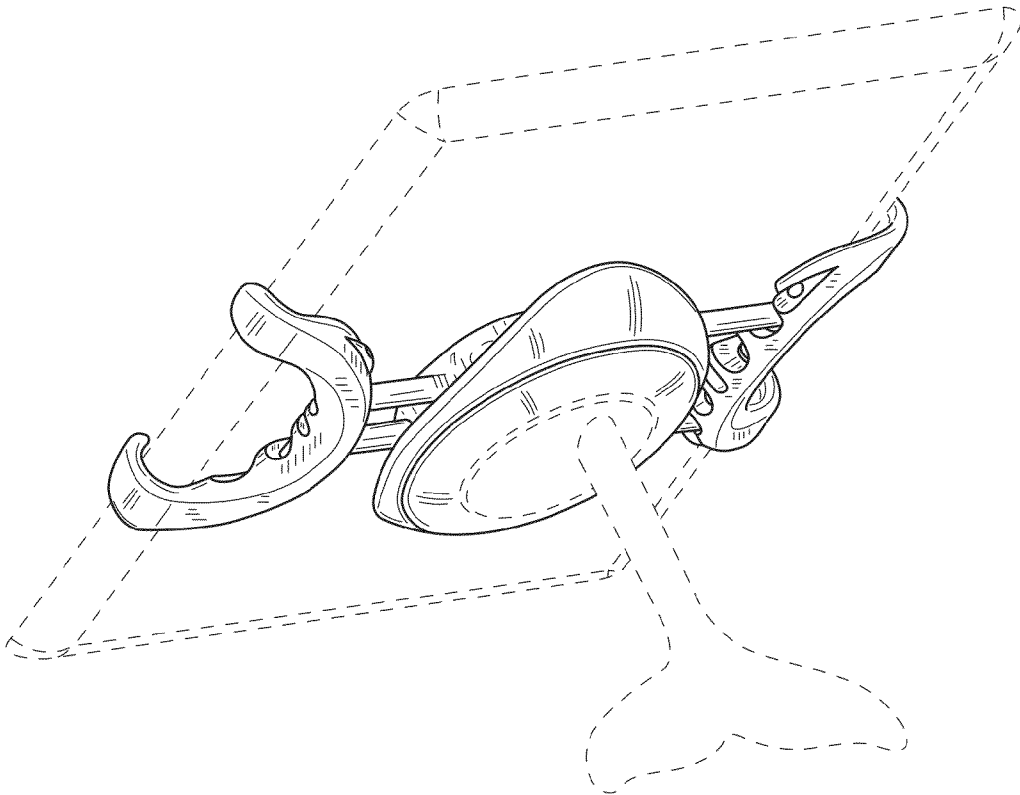


FIG.12