



US00D374946S

United States Patent [19]

[11] Patent Number: **Des. 374,946**

Meurlin

[45] Date of Patent: ****Oct. 22, 1996**

[54] **BLEND, MOISTEN AND STORAGE SYSTEM FOR TOBACCO PRODUCTS**

Primary Examiner—Louis S. Zarfes
Assistant Examiner—Monica A. Hannon

[76] Inventor: **Donald Meurlin**, 135 Forest Ave.,
Massapequa, N.Y. 11758

[57] CLAIM

[**] Term: **14 Years**

The ornamental design for a blend, moisten and storage system for tobacco products, as shown and described.

[21] Appl. No.: **21,253**

DESCRIPTION

[22] Filed: **Apr. 13, 1994**

FIG. 1 is a left front perspective view of the blend, moisten and storage system for tobacco products showing my new design;

[52] U.S. Cl. **D27/189**; 27/183

[58] Field of Search D27/184, 193,
D27/194, 195, 172, 186-191; 131/300;
D6/440, 470; D23/356; D9/423, 432; 220/339,
636; 229/127; 312/31, 31.01

FIG. 2 is a left front perspective view thereof wherein a first cover is removed and the storage drawer has been opened; FIG. 3 is a left rear perspective exploded view thereof showing both covers, the aerating tray, the reservoir tray and the base;

[56] References Cited

U.S. PATENT DOCUMENTS

D. 5,277	9/1871	Lis	D9/341
D. 171,102	12/1953	Patriarca	D12/194 X
D. 181,490	11/1957	Ostergard	D27/187 X
290,141	12/1883	Swift	312/31 X
527,291	10/1894	Robinson	312/31 X

FIG. 4 is a top plan view of the aerating tray;

FIG. 5 is a top plan view of the reservoir tray;

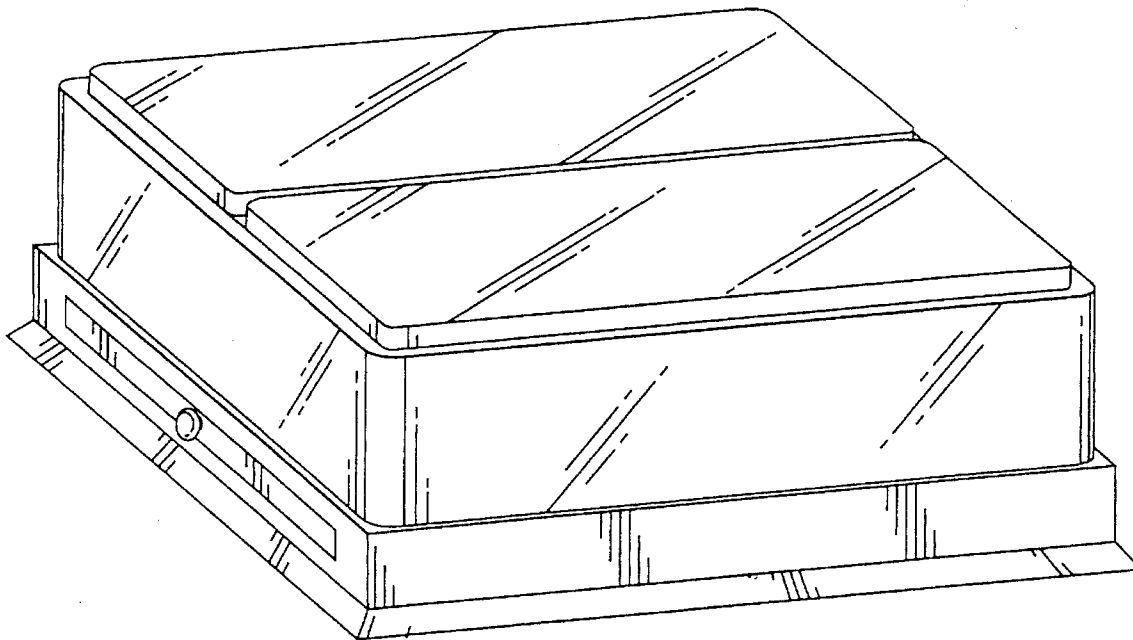
FIG. 6 is a bottom plan view of one cover;

FIG. 7 is a bottom plan view of the base;

FIG. 8 is a bottom plan view of the aerating tray; and,

FIG. 9 is a bottom plan view of the reservoir tray.

1 Claim, 5 Drawing Sheets



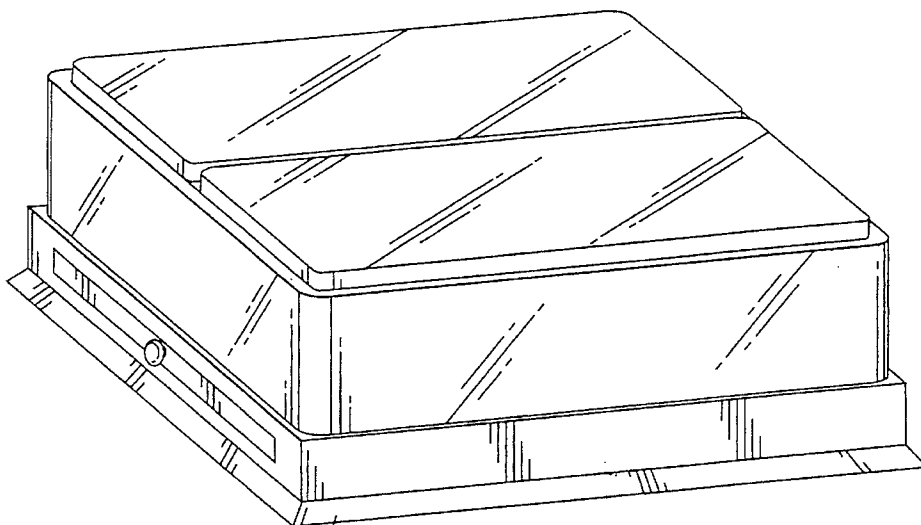


Fig. 1

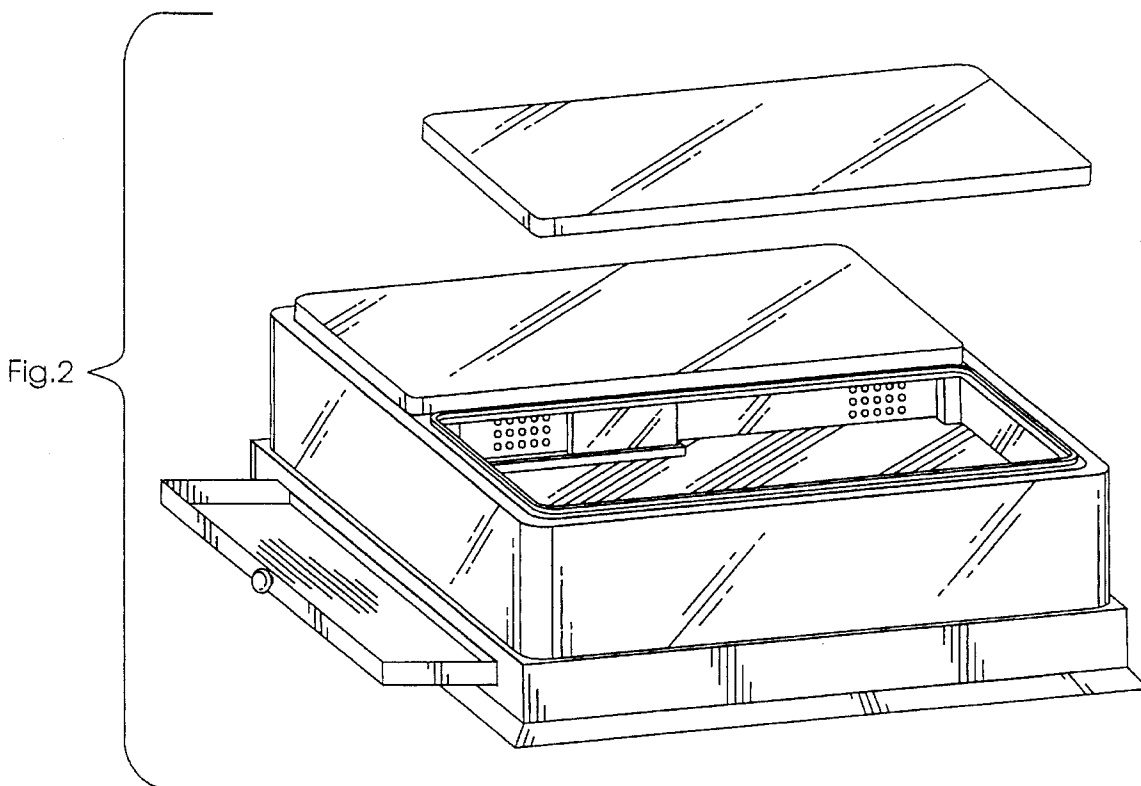
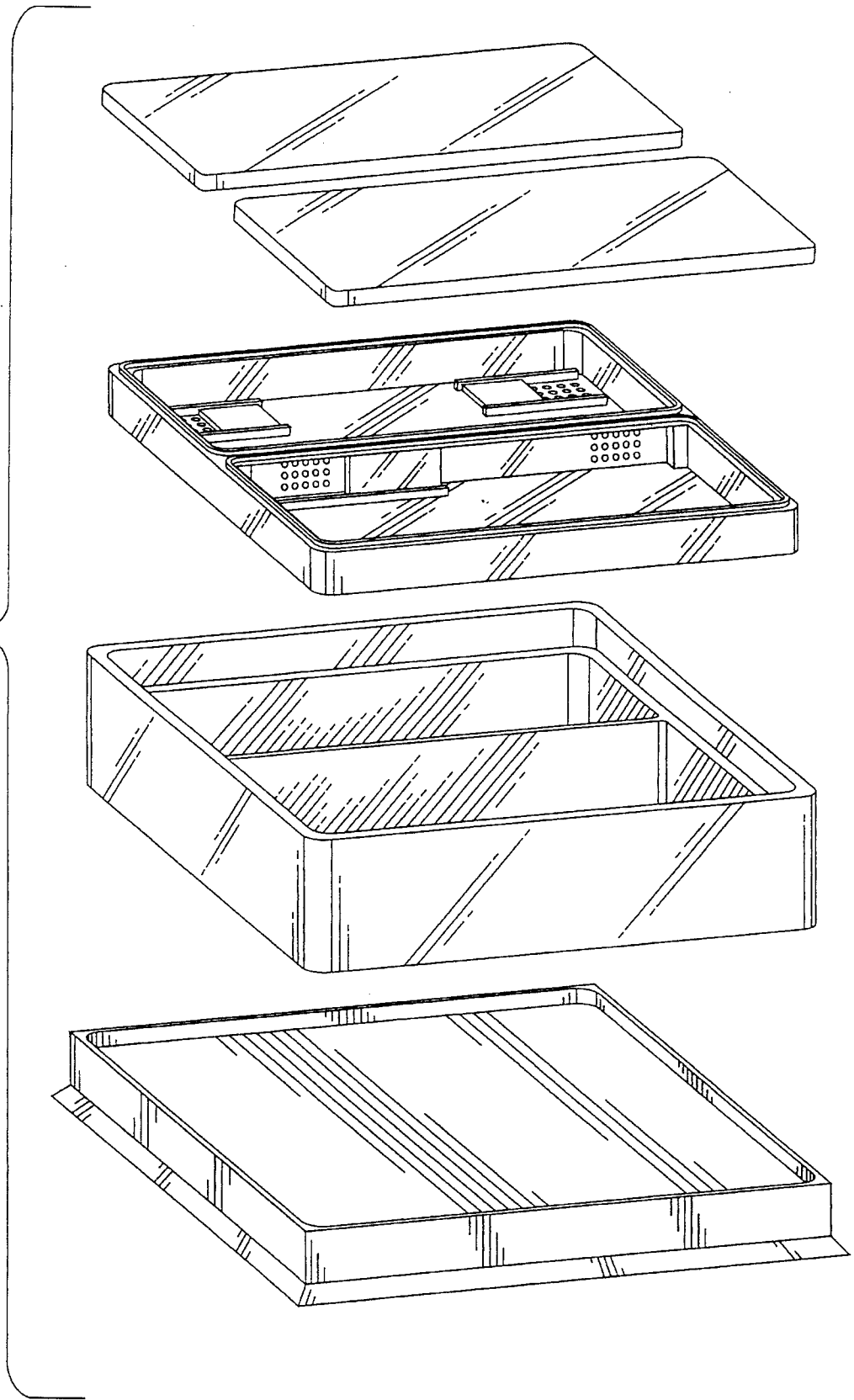


Fig. 2

Fig.3



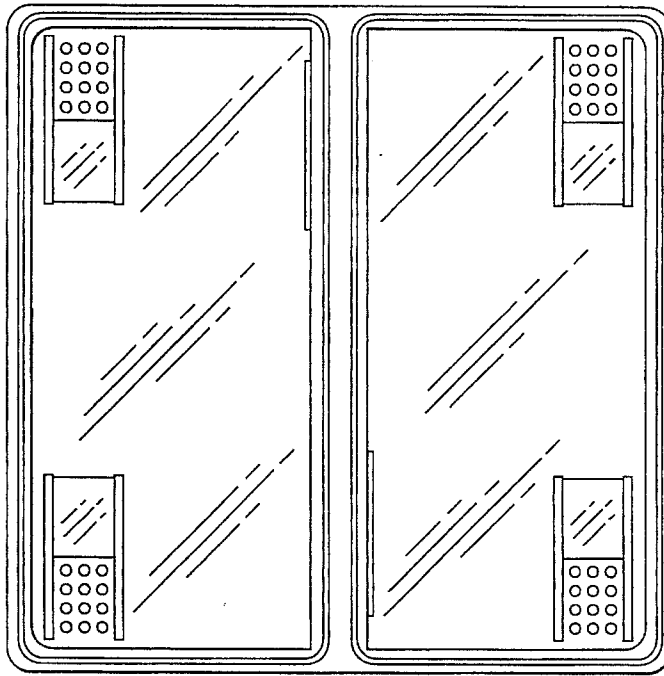


Fig.4

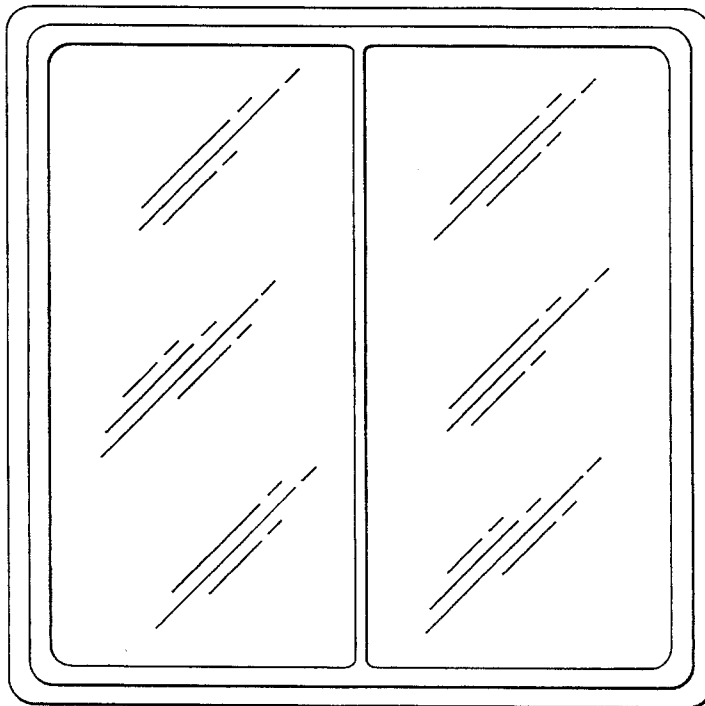


Fig.5

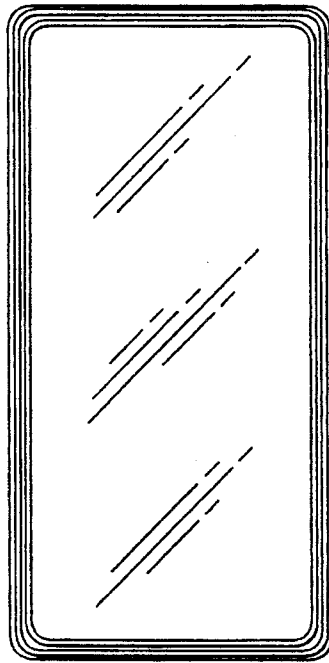


Fig.6

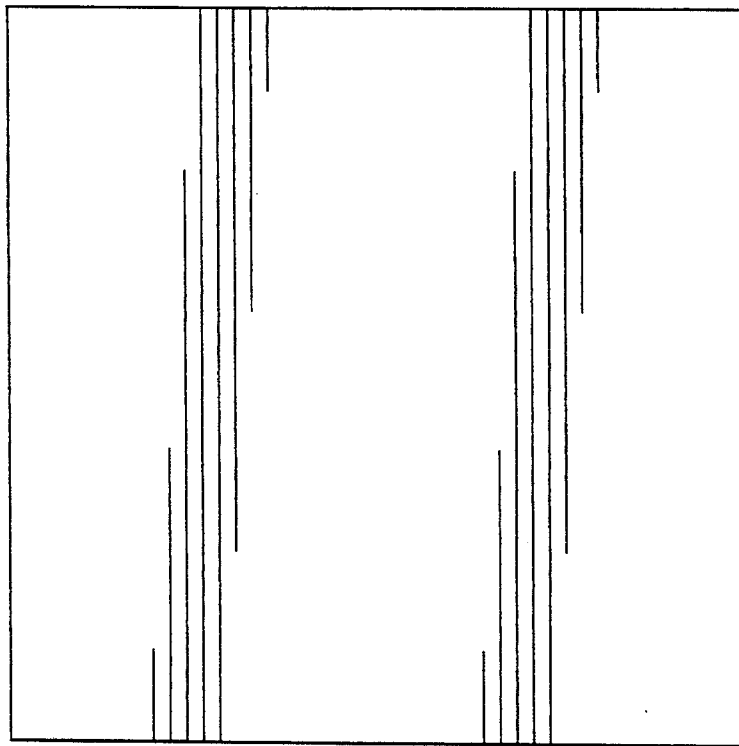


Fig.7

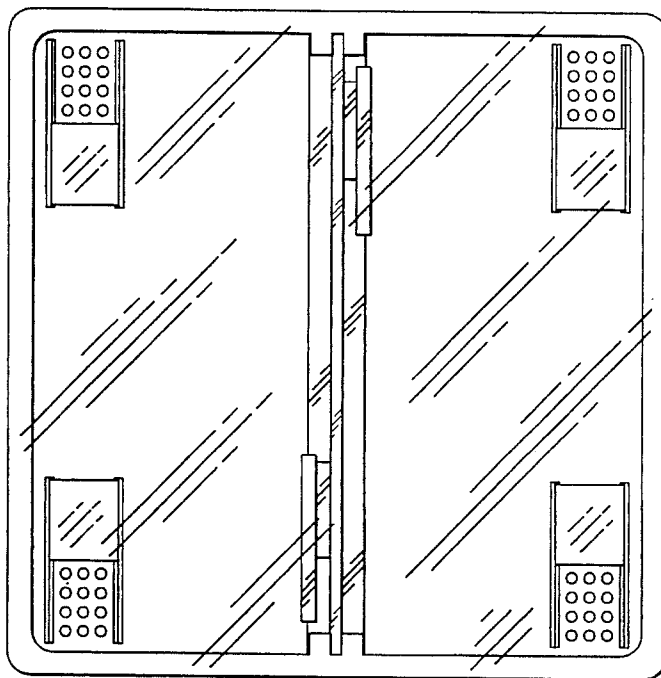


Fig.8

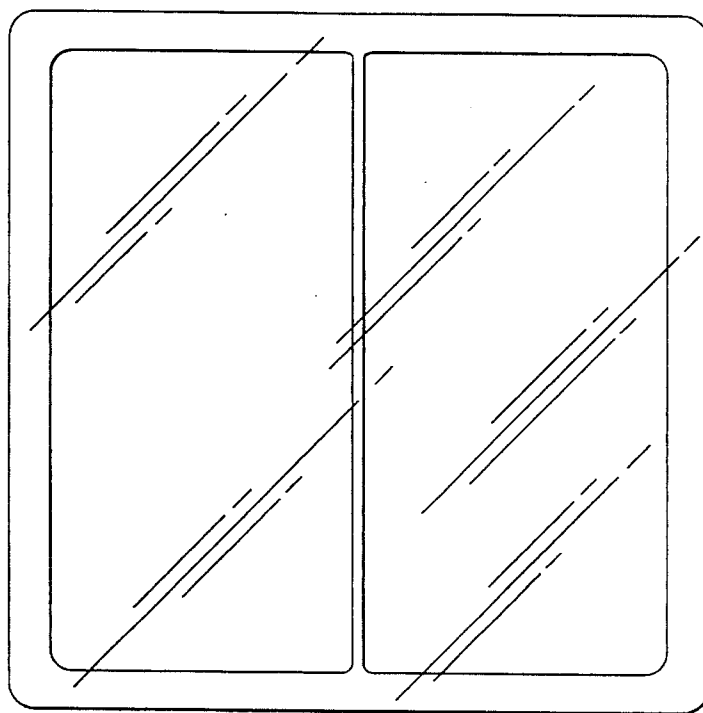


Fig.9