

[54] CHANDELIER OR THE LIKE

[75] Inventor: Vince Dicola, Louisville, Ky.

[73] Assignee: Thomas Industries Inc., Louisville, Ky.

[\*\*] Term: 14 Years

[21] Appl. No.: 69,955

[22] Filed: Jul. 6, 1987

[52] U.S. Cl. .... D26/84

[58] Field of Search ..... D26/72, 80-92;  
362/404, 405, 406, 407, 408, 147

[56] References Cited

U.S. PATENT DOCUMENTS

- D. 90,017 5/1933 Bush ..... D26/84
- D. 238,506 1/1976 Loveless ..... D26/84
- 3,622,779 11/1971 Lagin ..... 362/405

FOREIGN PATENT DOCUMENTS

- 24584 of 1912 United Kingdom ..... 362/405

OTHER PUBLICATIONS

Lightolier "Light Book", ©1981, p. 24, Chandelier #3545.

Robert Long Inc., "Hoods" Catalog, 5-1980, p. 4, Pendant Hood #8220.

"Thomas 1974", Chandeliers.

Primary Examiner—Susan J. Lucas

Attorney, Agent, or Firm—Hill, Van Santen, Steadman & Simpson

[57] CLAIM

The ornamental design for a chandelier or the like, as shown and described.

DESCRIPTION

FIG. 1 is a front elevational view of a chandelier or the like showing my new design;

FIG. 2 is a bottom plan view thereof;

FIG. 3 is a top plan view thereof; and

FIG. 4 is a left elevational view thereof; the right side being a mirror image.

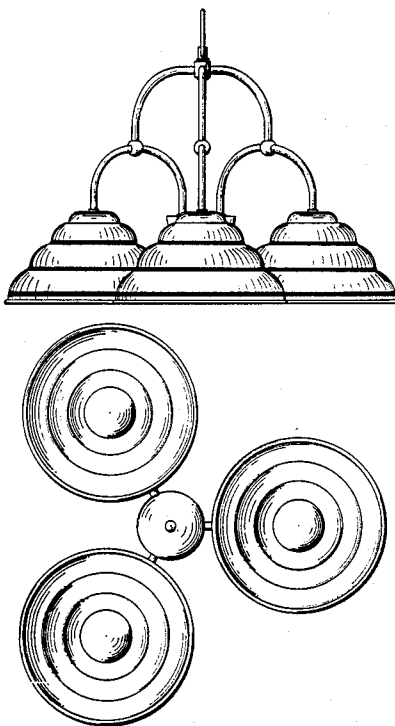


FIG. 1

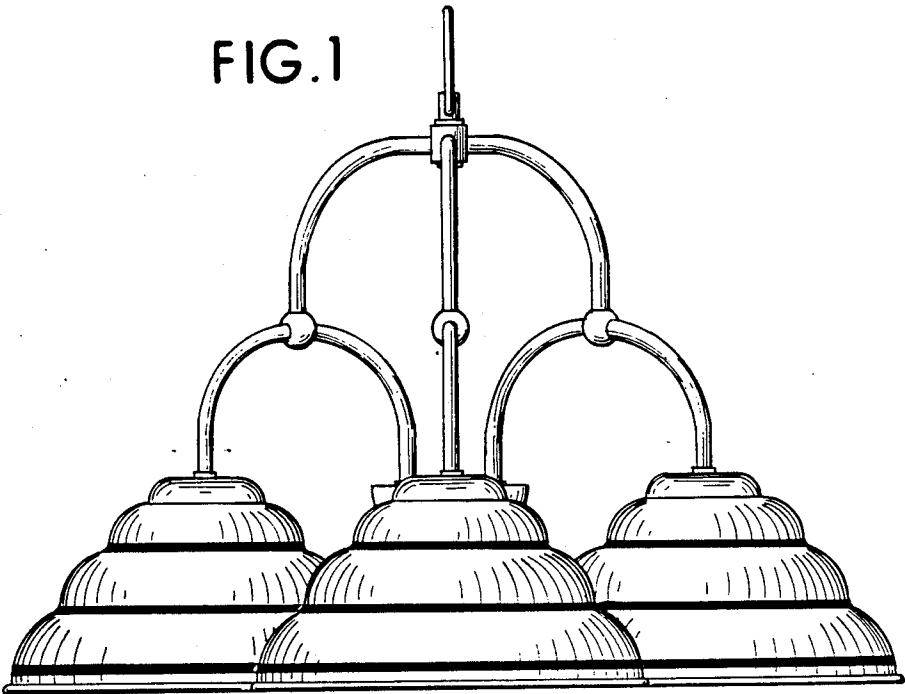
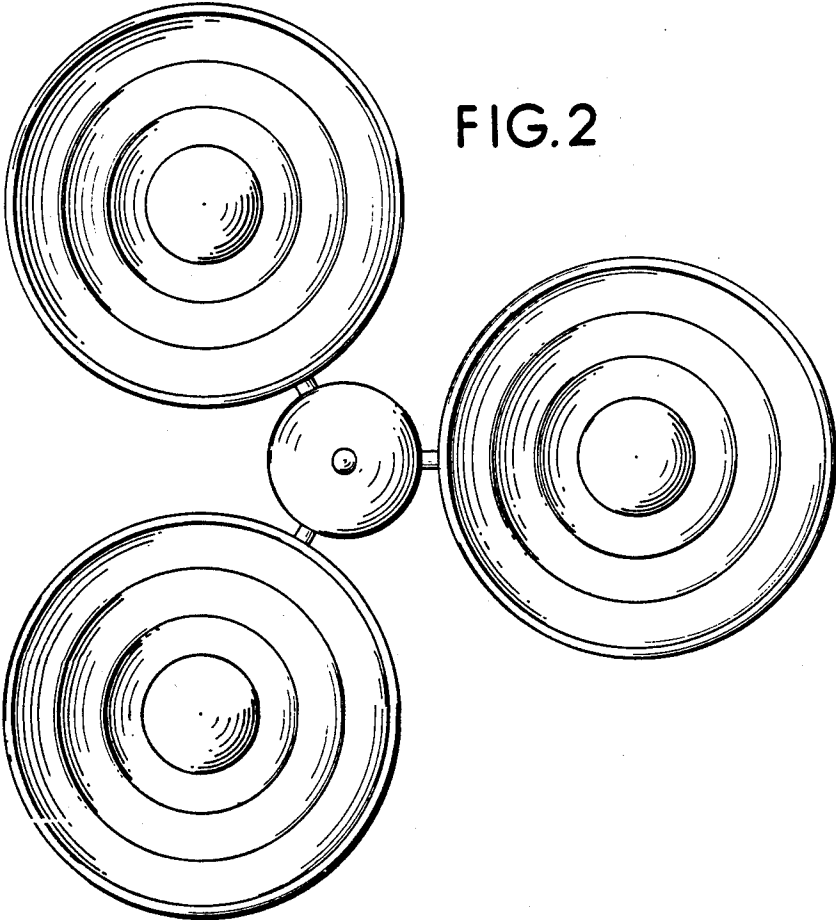


FIG. 2



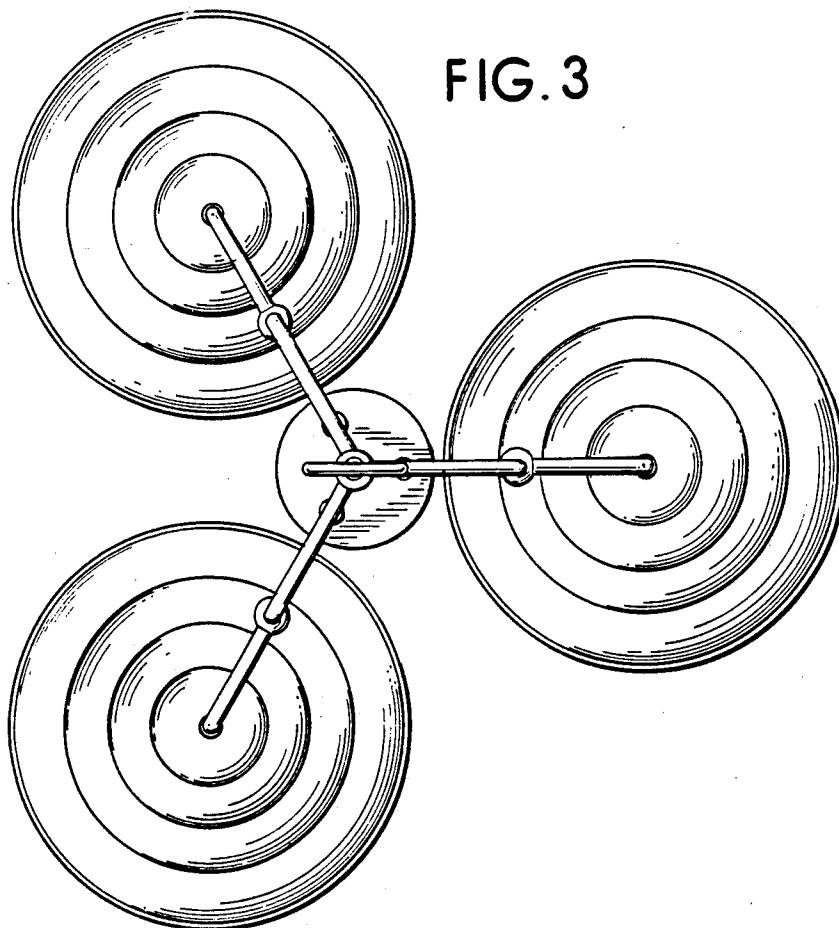


FIG. 4

