



US00D935094S

(12) **United States Design Patent**
Zhou

(10) **Patent No.:** **US D935,094 S**

(45) **Date of Patent:** **** Nov. 2, 2021**

- (54) **HAIR DRYER**
- (71) Applicant: **Yungang Zhou**, Hubei (CN)
- (72) Inventor: **Yungang Zhou**, Hubei (CN)
- (73) Assignee: **Dongguan KangRoad Electrical Technology Co., Ltd.**, Guangdong (CN)
- (**) Term: **15 Years**
- (21) Appl. No.: **29/740,672**
- (22) Filed: **Jul. 6, 2020**

D280,338 S *	8/1985	Skarsten	D28/13
D299,874 S *	2/1989	Yamagami	D28/13
4,903,416 A *	2/1990	Levin	A45D 1/02 126/401
D341,302 S *	11/1993	Ware	D8/29.1
5,839,204 A *	11/1998	Cinque	A45D 20/10 34/97
D537,565 S *	2/2007	Shin	D28/13
D537,566 S *	2/2007	Kondo	D28/13
D635,835 S *	4/2011	Post	D8/14.1
D859,738 S *	9/2019	Huang	D28/13
D861,246 S *	9/2019	Hsu	D28/13
D901,768 S *	11/2020	Ceva	D28/13

* cited by examiner

Primary Examiner — Zenia I Bennett

- (30) **Foreign Application Priority Data**
Apr. 26, 2020 (CN) 202030178304.3
- (51) **LOC (13) CL.** **28-03**
- (52) **U.S. CL.**
USPC **D28/13**
- (58) **Field of Classification Search**
USPC D28/12-19; D8/29.1
CPC A45D 20/00; A45D 20/08; A45D 20/10;
A45D 20/12; A45D 20/122; A45D
20/124; A45D 2020/128
See application file for complete search history.

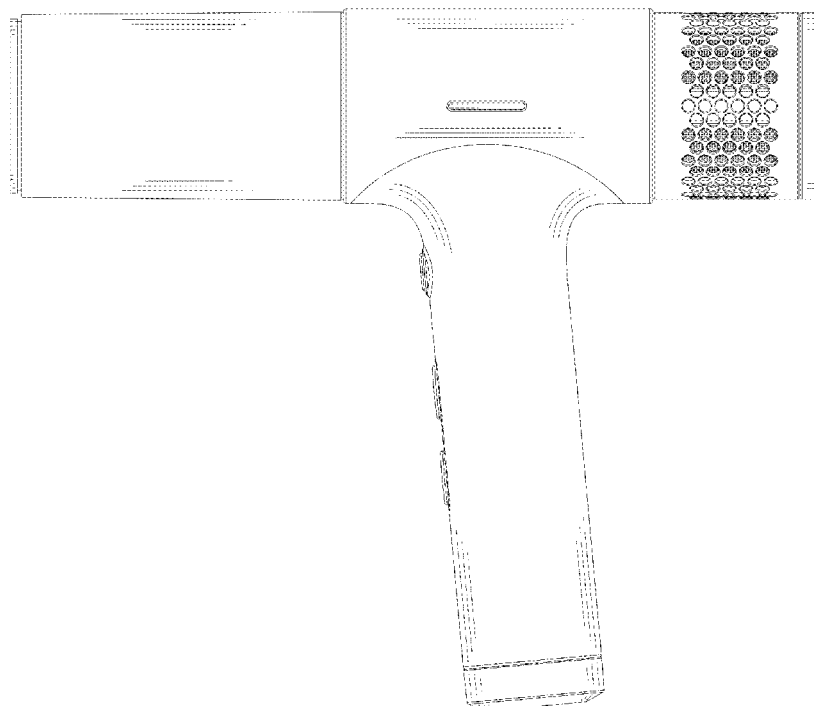
(57) **CLAIM**
The ornamental design for a hair dryer, as shown and described.

DESCRIPTION

FIG. 1 is a perspective view of a hair dryer showing my new design;
 FIG. 2 is a front elevational view thereof;
 FIG. 3 is a rear elevational view thereof;
 FIG. 4 is a left side elevational view thereof;
 FIG. 5 is a right side elevational view thereof;
 FIG. 6 is a top plan view thereof;
 FIG. 7 is a bottom plan view thereof;
 FIG. 8 is a rear, right side perspective view thereof; and,
 FIG. 9 is an enlarged view in FIG. 6.
 The broken lines in the drawings depict portions of the hair dryer that form no part of the claimed design.

- (56) **References Cited**
U.S. PATENT DOCUMENTS
D248,048 S * 5/1978 Cousins D28/13
4,132,360 A * 1/1979 Lee, Jr. A45D 20/124
239/383
D257,492 S * 11/1980 Cousins D28/13

1 Claim, 9 Drawing Sheets



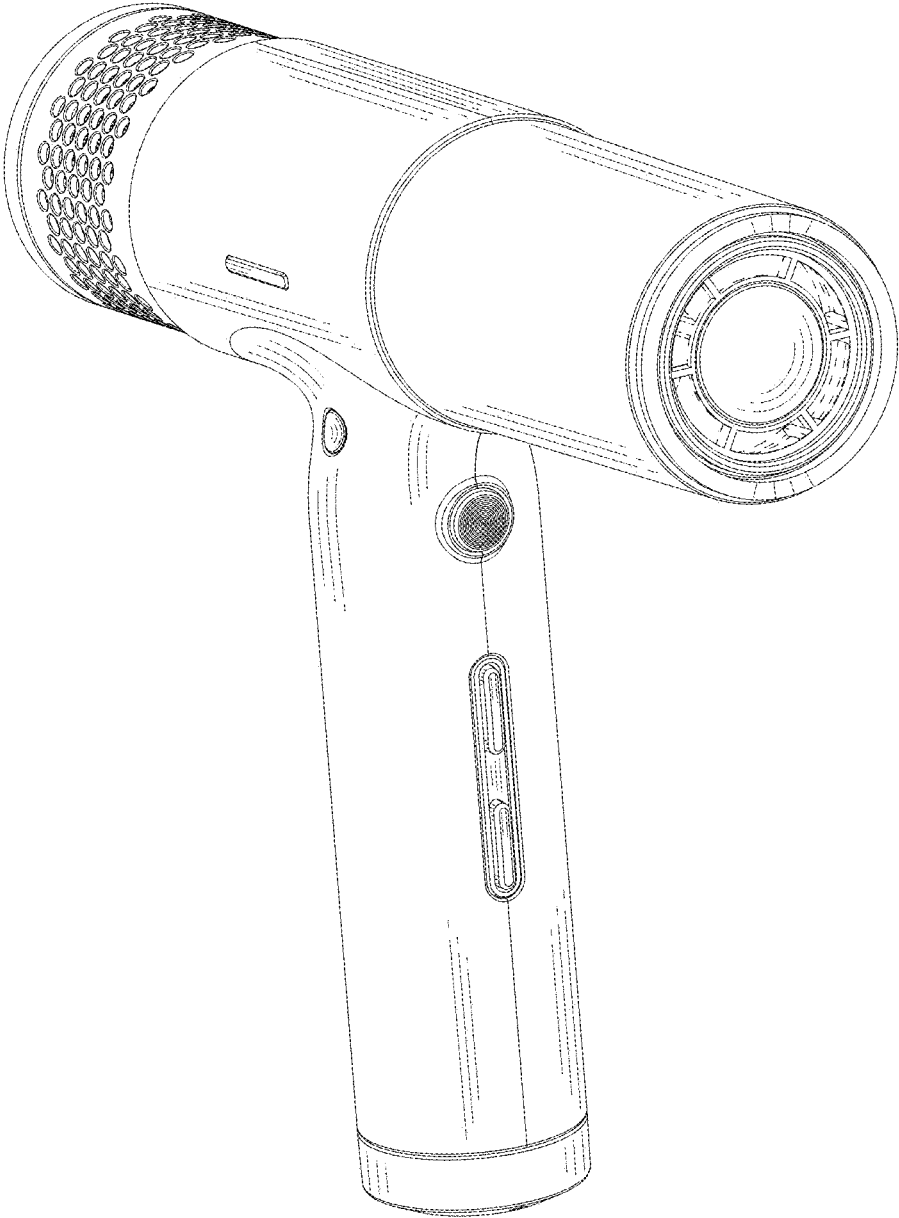


FIG. 1

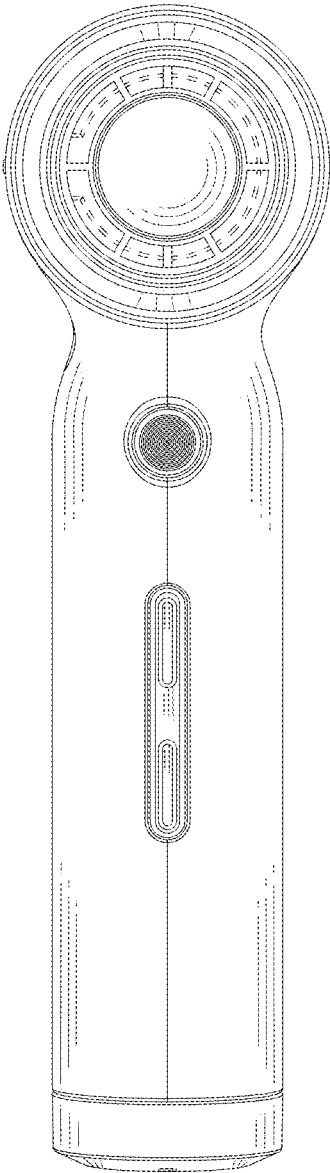


FIG. 2

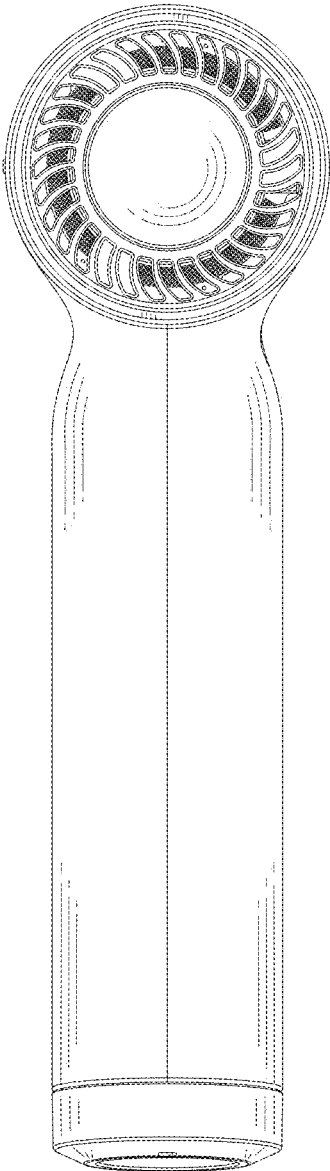


FIG. 3

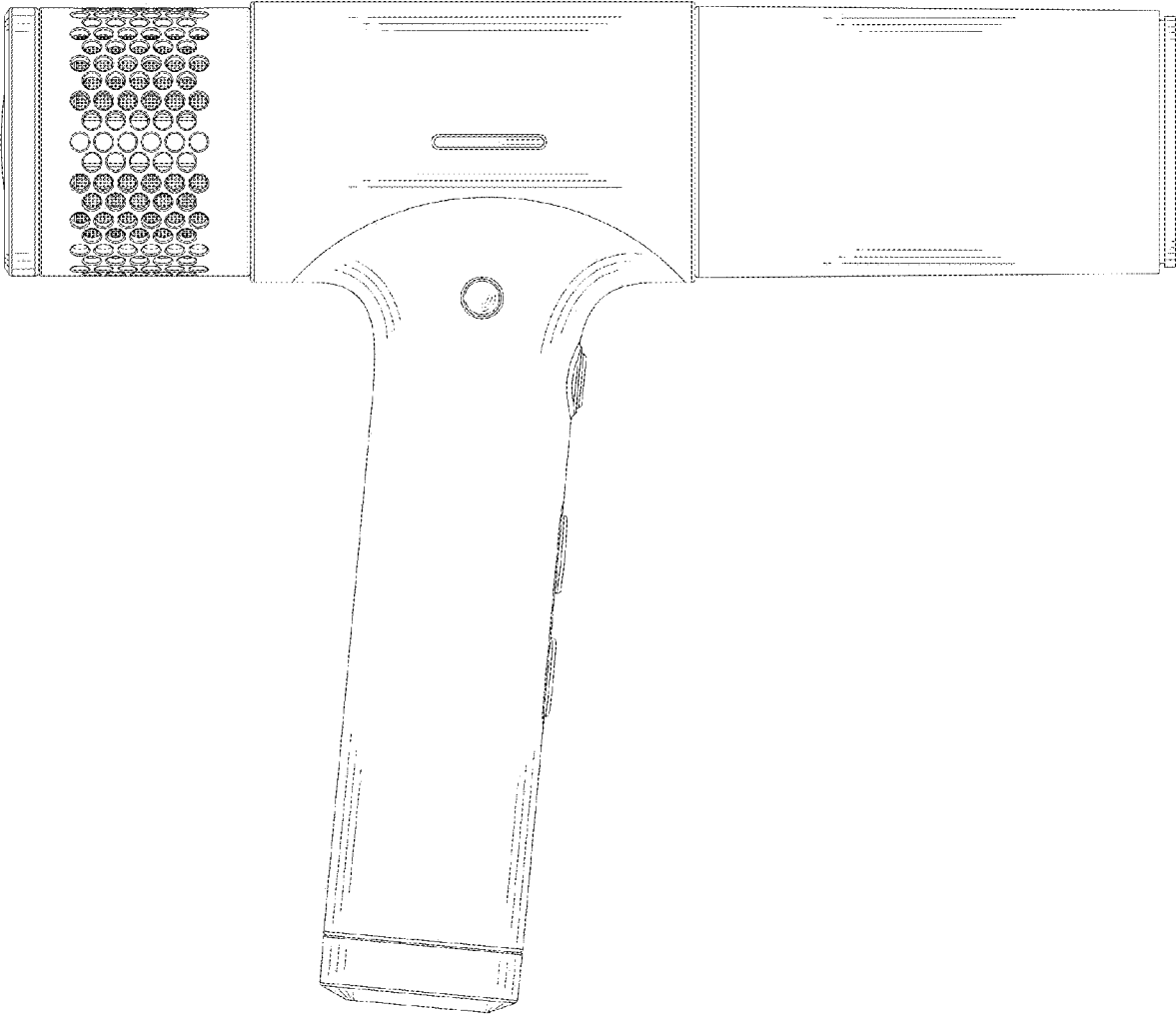


FIG. 4

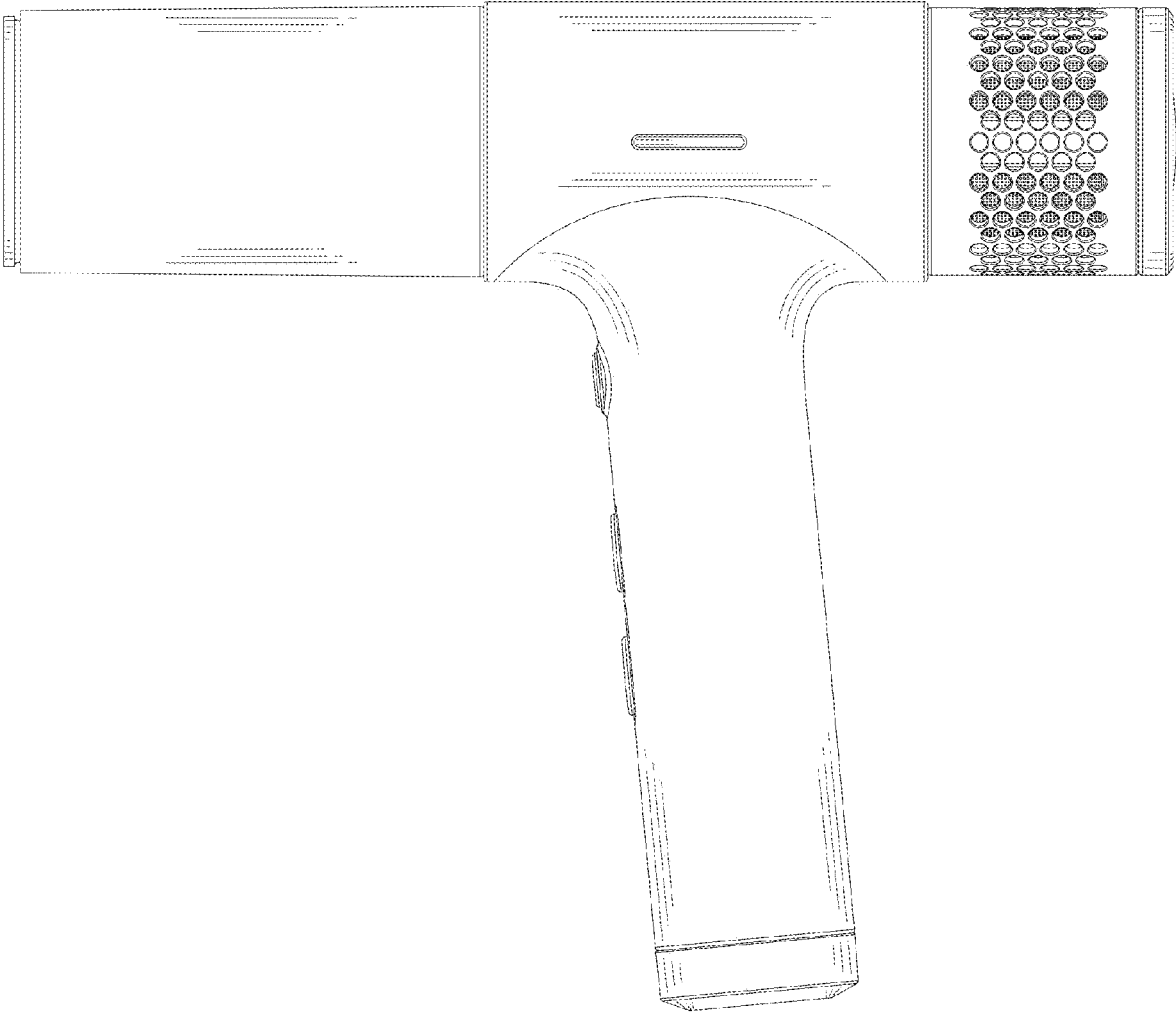


FIG. 5

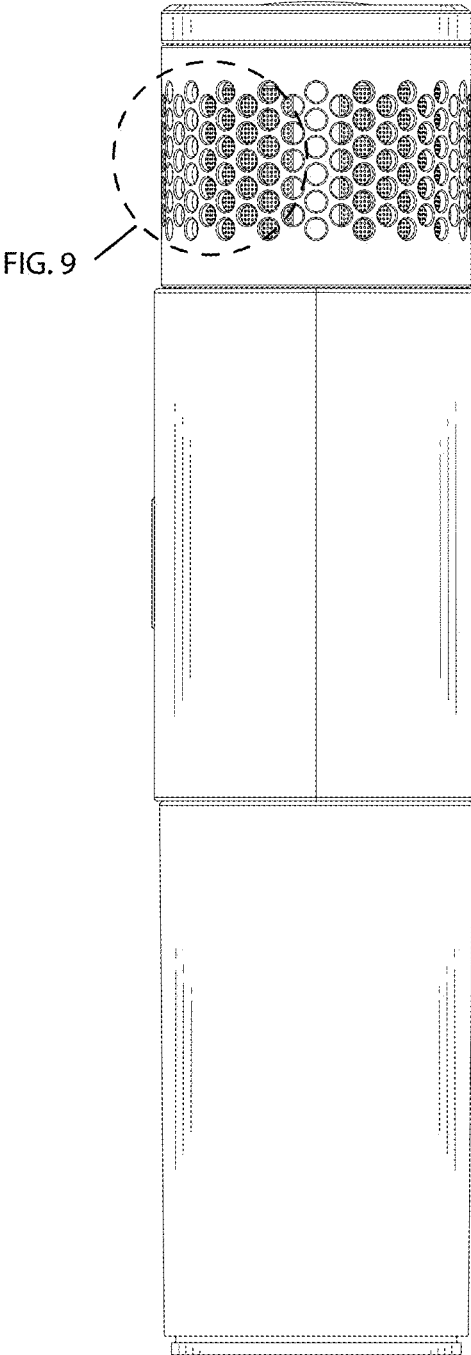


FIG. 6

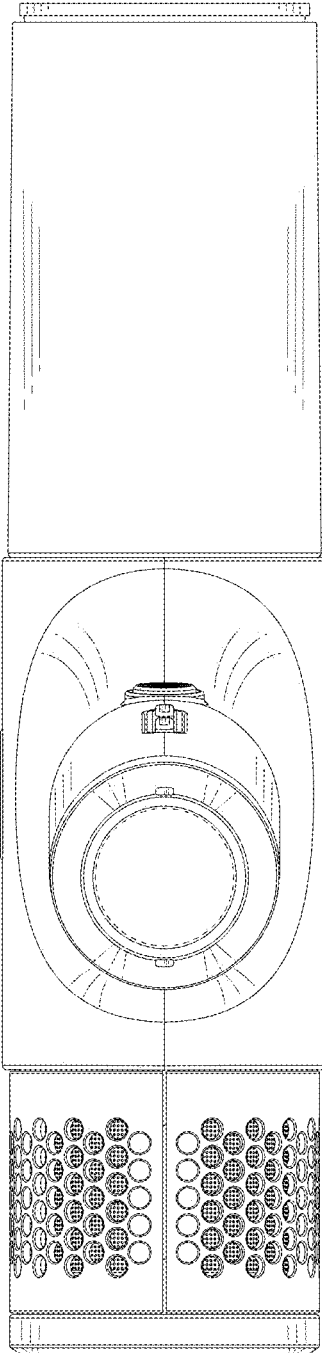


FIG. 7

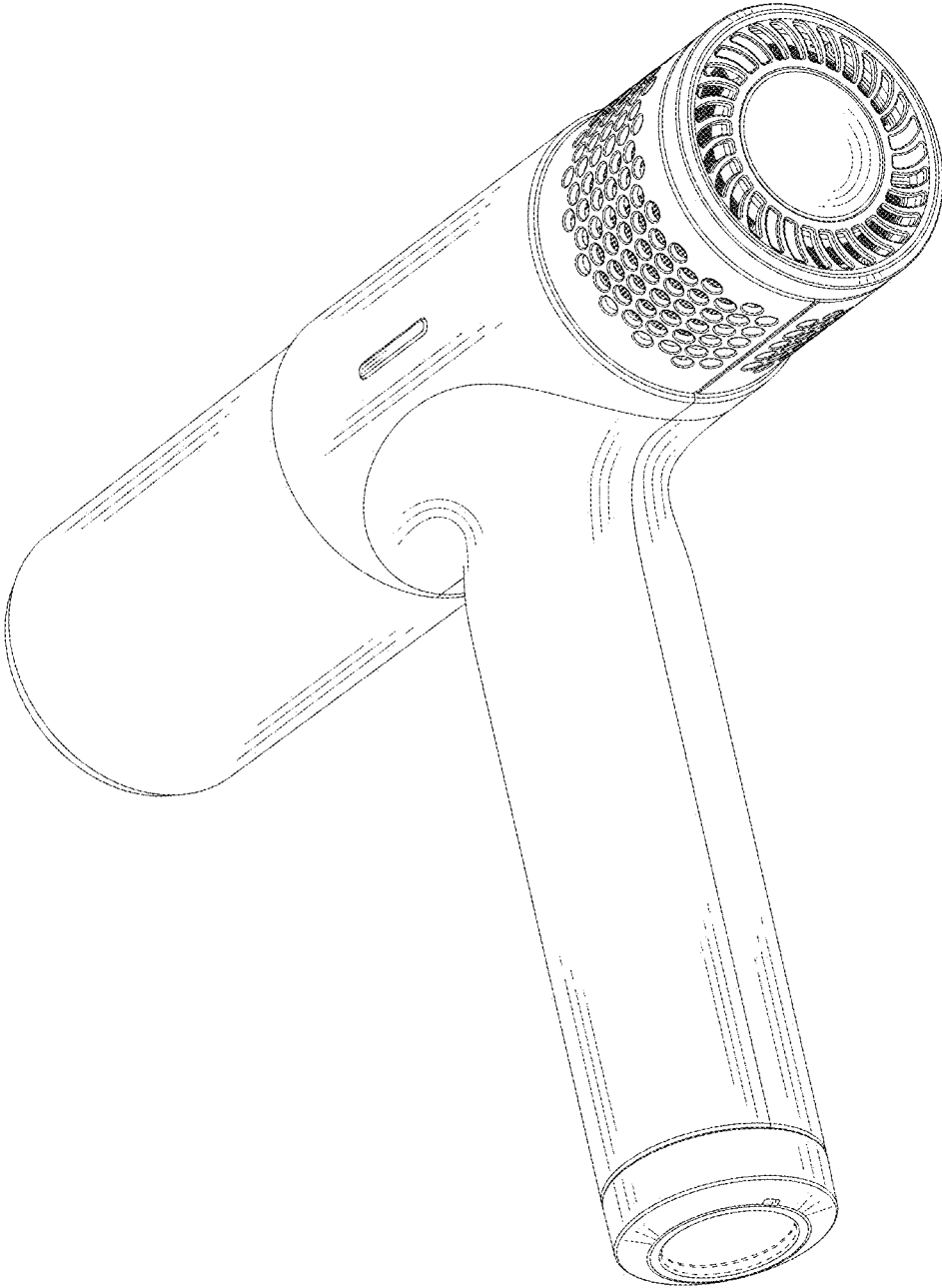


FIG. 8

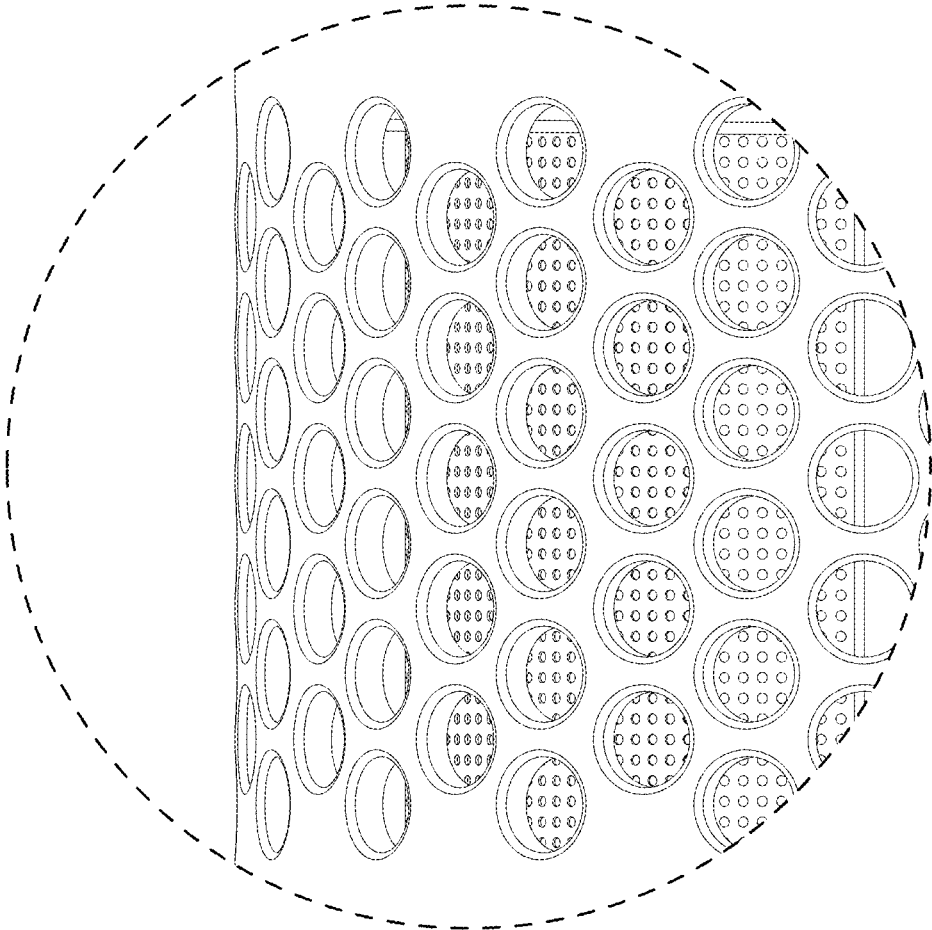


FIG. 9