



US00D986042S

(12) **United States Design Patent** (10) **Patent No.:** **US D986,042 S**  
**Sostar et al.** (45) **Date of Patent:** **\*\* May 16, 2023**

(54) **FASTENING DEVICE**  
(71) Applicant: **Välinge Innovation AB**, Viken (SE)  
(72) Inventors: **Marko Sostar**, Helsingborg (SE);  
**Emanuel Lidberg**, Malmö (SE);  
**Hannes Boman**, Helsingborg (SE)  
(73) Assignee: **VÄLINGE INNOVATION SWEDEN AB**, Viken (SE)  
(\*\*) Term: **15 Years**  
(21) Appl. No.: **35/512,832**  
(22) Filed: **Sep. 17, 2021**

D515,906 S *	2/2006	Strickland	D8/300
D544,776 S *	6/2007	Cybulski	D8/300
D572,566 S *	7/2008	Kahonen	D8/305
D593,396 S *	6/2009	Habib	D8/308
D630,490 S *	1/2011	Lundstrom	D8/300
D630,491 S *	1/2011	Lundstrom	D8/300
D661,964 S *	6/2012	Pangborn	D8/107
D670,791 S *	11/2012	Fievet	D23/245
D705,638 S *	5/2014	Aruga	B25G 1/04
			D8/303
D803,025 S *	11/2017	Larose	D8/300
D811,206 S *	2/2018	Palsgaard	D8/382
D852,022 S *	6/2019	Warmenhoven	D8/316
D854,909 S *	7/2019	Wells	D8/300
D903,476 S *	12/2020	Schwarzmann	D8/382
D942,845 S *	2/2022	Iacono	D8/382
D950,368 S *	5/2022	Wang	D8/382
D957,580 S *	7/2022	Lazarini	D23/252

(Continued)

(80) **Hague Agreement Data**  
Int. Filing Date: **Jul. 2, 2021**  
Int. Reg. No.: **DM/216964**  
Int. Reg. Date: **Sep. 17, 2021**  
Int. Reg. Pub. Date: **Oct. 29, 2021**

*Primary Examiner* — Karen S Acker  
*Assistant Examiner* — Elisabeth S Ko  
(74) *Attorney, Agent, or Firm* — Buchanan, Ingersoll & Rooney PC

(51) **LOC (14) Cl.** ..... **08-08**  
(52) **U.S. Cl.**  
USPC ..... **D8/382**

(57) **CLAIM**

The ornamental design for a fastening device, as shown and described.

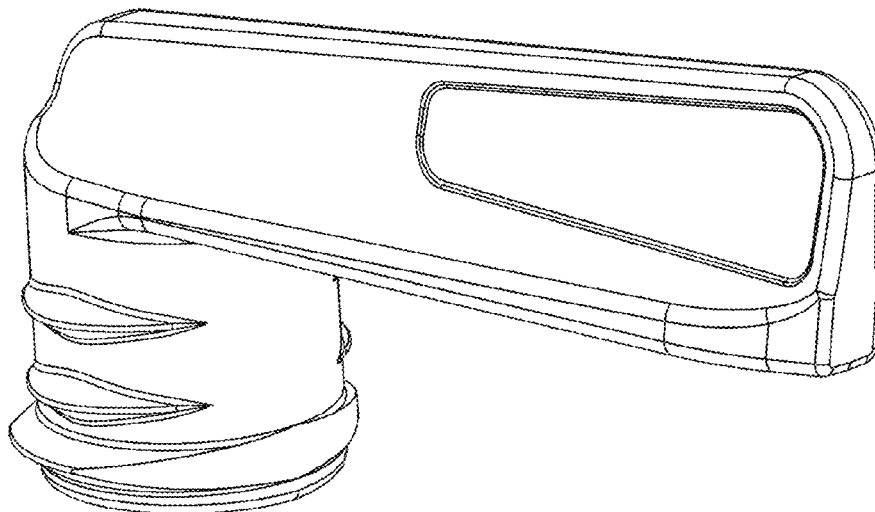
(58) **Field of Classification Search**  
USPC ..... D8/382, 300, 303, 306–308, 313, 315,  
D8/321, 61, 354, 373–374, 19, 376, 363,  
D8/393; D21/250–252, 254;  
D23/250–252, 254  
CPC ..... F16B 21/086; F16B 12/22; F16B 12/40;  
F16B 2200/10; F16B 12/14; F16B 21/09;  
F16B 21/06  
See application file for complete search history.

**DESCRIPTION**

1. Fastening device  
**1.1** is a perspective view of a fastening device;  
**1.2** is another perspective view of the fastening device;  
**1.3** is another perspective view of the fastening device;  
**1.4** is a rear view of the fastening device;  
**1.5** is a front view of the fastening device;  
**1.6** is a top view of the fastening device;  
**1.7** is a bottom view of the fastening device; and  
**1.8** is a side view of the fastening device.  
The dot-dash-dot broken line depicts boundaries of the claim and forms no part thereof.  
The evenly spaced broken line depicts a feature of the fastening device that forms no part of the claimed design.

(56) **References Cited**  
U.S. PATENT DOCUMENTS  
D509,420 S \* 9/2005 Hauber ..... D8/300  
D509,421 S \* 9/2005 Gehry ..... D8/300  
D509,422 S \* 9/2005 Gehry ..... D8/300  
D513,164 S \* 12/2005 Hagan ..... D8/322

**1 Claim, 8 Drawing Sheets**



(56)

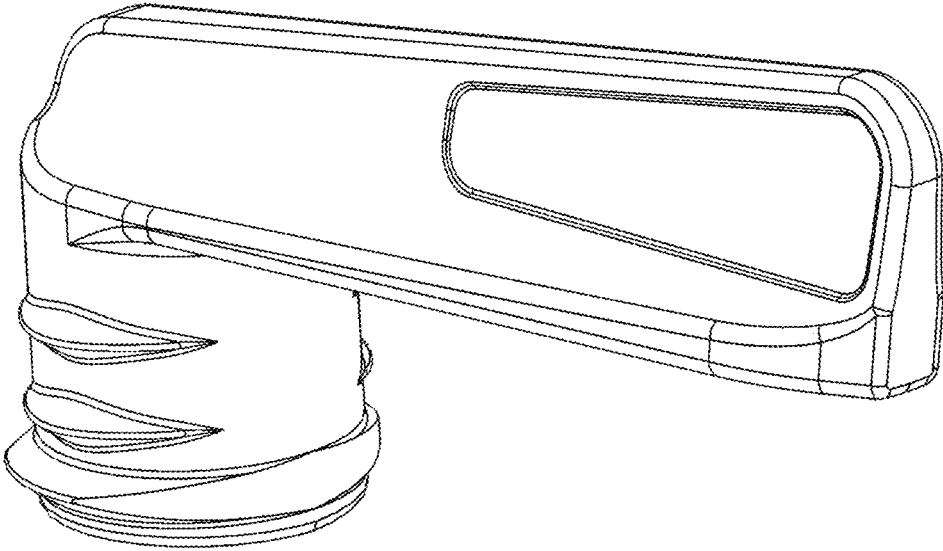
**References Cited**

U.S. PATENT DOCUMENTS

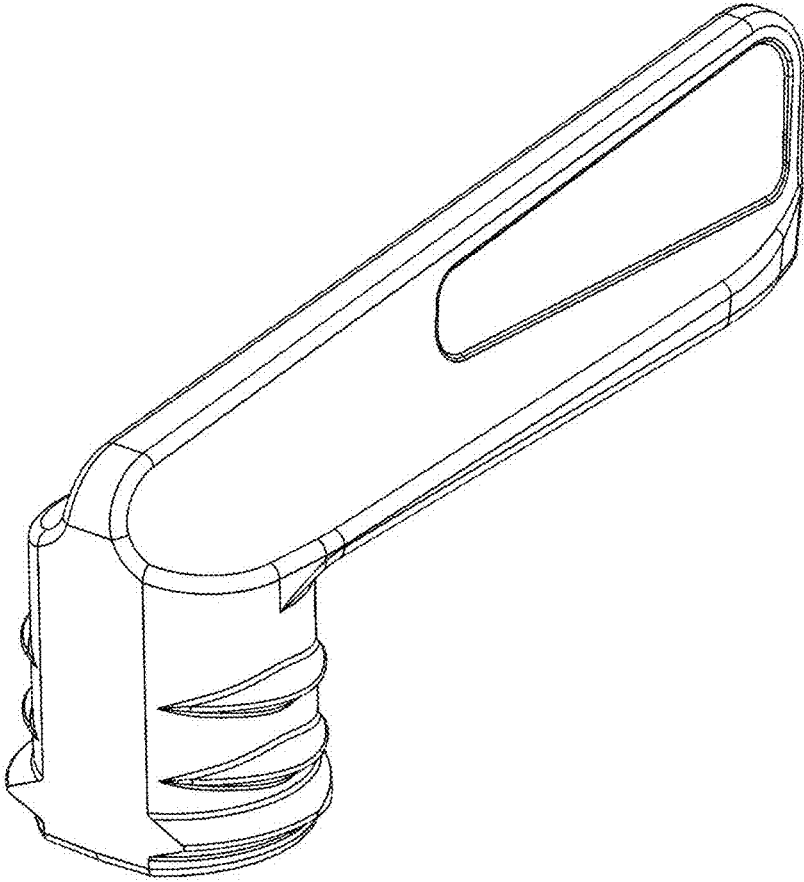
D957,581	S	*	7/2022	Elser .....	D23/252
D957,582	S	*	7/2022	Upadhyaya .....	D23/252
D957,583	S	*	7/2022	Elser .....	D23/252
D957,584	S	*	7/2022	Garland .....	D23/252
D957,585	S	*	7/2022	Garland .....	D23/252
D957,586	S	*	7/2022	Upadhyaya .....	D23/252
D959,252	S	*	8/2022	Lawson .....	D8/382
2022/0252097	A1	*	8/2022	Rydsjö .....	A47B 91/00

\* cited by examiner

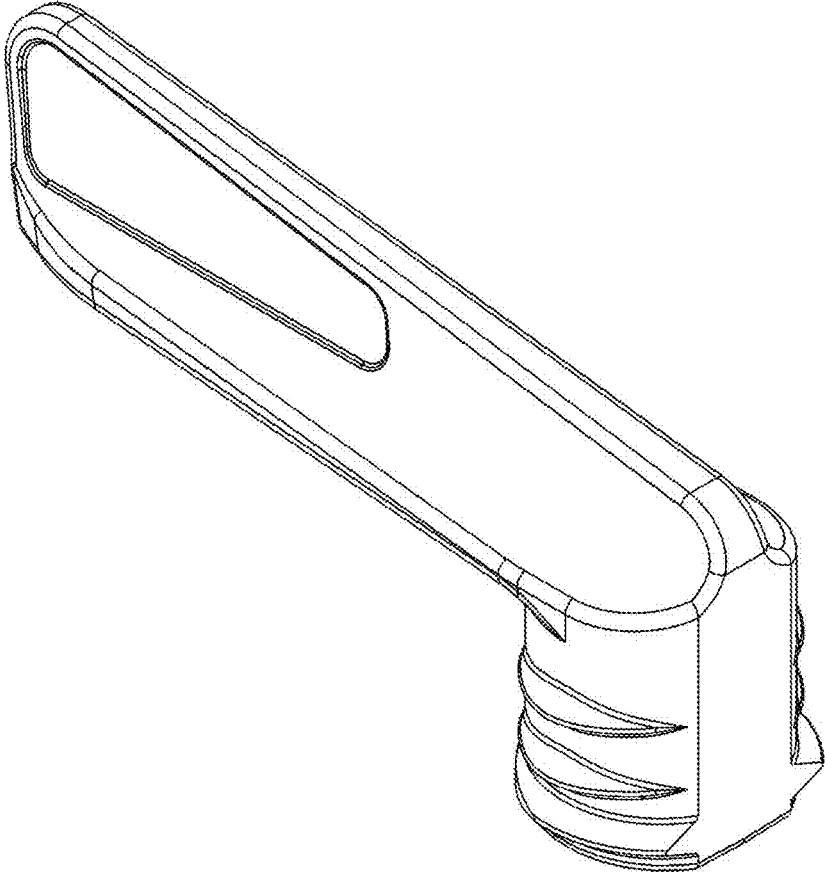
1.1



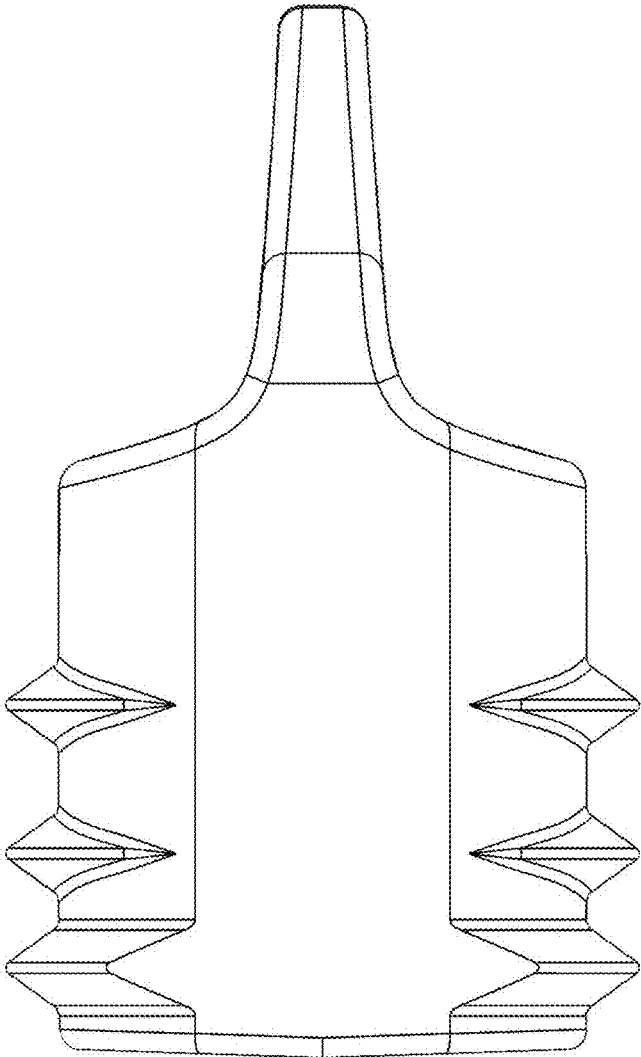
1.2



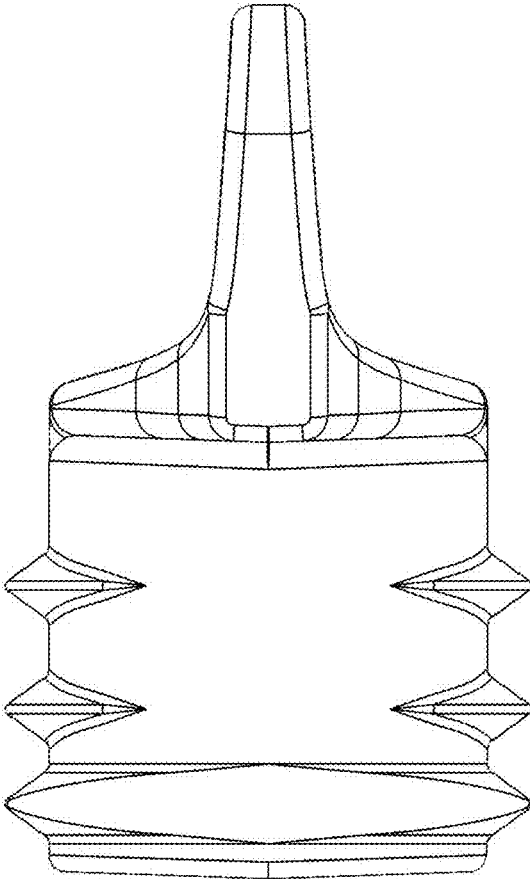
1.3



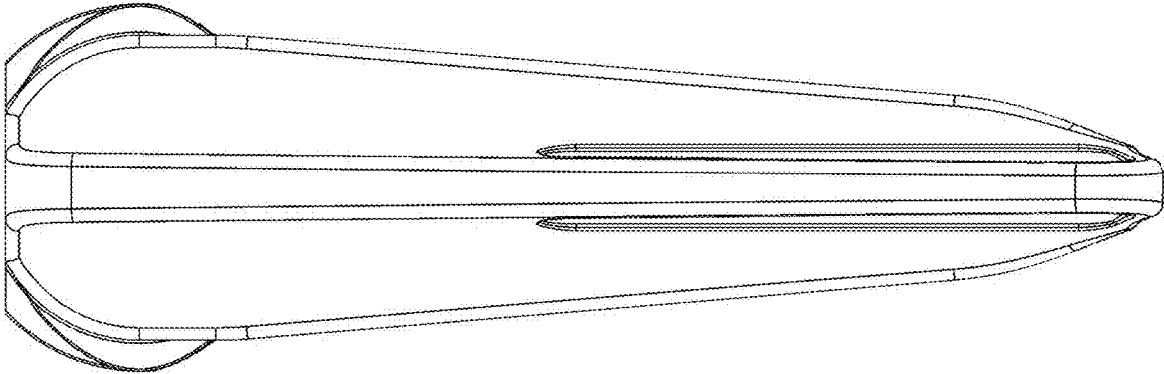
1.4



1.5

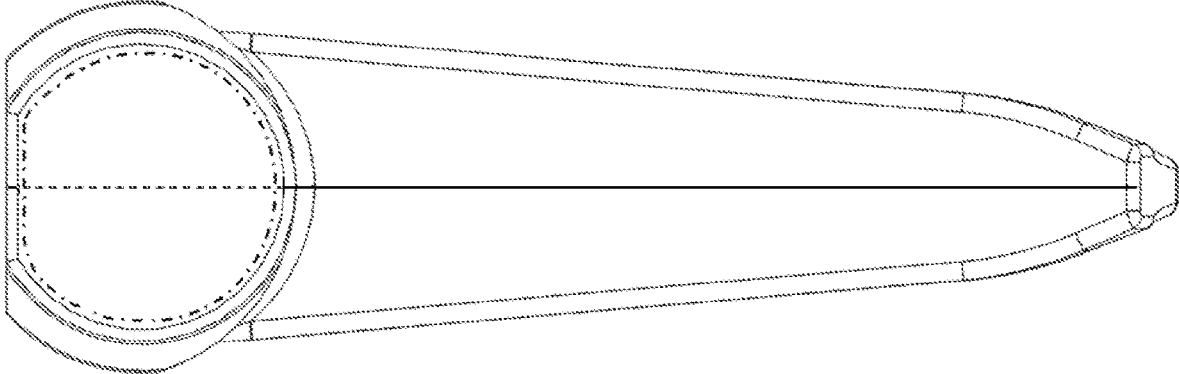


1.6





1.7



1.8

